

# Shark Rocket™

## INSTRUCTIONS

**PLEASE READ CAREFULLY AND KEEP FOR FUTURE REFERENCE.**

This Owner's Guide is designed to help you get a complete understanding of your new Shark Rocket.

## TECHNICAL SPECIFICATIONS

Voltage: 120V., 60Hz  
Watts: 500W  
Amps: 4.2A

The images shown here are for illustrative purposes only and may be subject to change.

804109027

## IMPORTANT SAFETY INSTRUCTIONS

### HOUSEHOLD USE ONLY

To reduce the risk of electric shock, this vacuum cleaner has a polarized plug (one blade is wider than the other). As a safety feature, this plug will fit into a polarized outlet only one way. If the plug does not fit fully into the outlet, reverse the plug. If it still does not fit, contact a qualified electrician. **DO NOT force into outlet or try to modify to fit.**

### ⚠ WARNING

**TO REDUCE THE RISK OF FIRE, ELECTRIC SHOCK OR INJURY:**

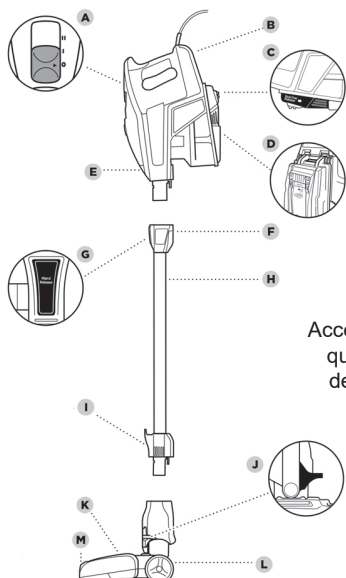
#### GENERAL WARNINGS

- Your vacuum cleaner may consist of a motorized nozzle, wand, hose, and/or vacuum pod. This device contains electrical connections, electrical wiring, and moving parts that potentially present risk to the user.
- Use only identical replacement parts.
- Carefully observe and follow the instructions provided below to avoid improper use of the appliance. **DO NOT** use the vacuum for any purpose other than those described in this manual.
- Before use, carefully inspect all parts for any damage. **DO NOT** use if any parts are damaged.
- The use of an extension cord is **NOT** recommended.
- This vacuum cleaner contains no serviceable parts.
- DO NOT** allow the appliance to be used by children. Close supervision is necessary when used near children. This is not a toy.
- Always turn off the vacuum cleaner before connecting or disconnecting any motorized nozzles or other accessories.
- DO NOT** handle plug or vacuum cleaner with wet hands.
- DO NOT** use without filters in place.
- Only use Shark® branded filters and accessories. Failure to do so will also void the warranty.
- DO NOT** damage the power cord:
  - DO NOT** pull or carry vacuum cleaner by the cord or use the cord as a handle.
  - DO NOT** unplug by pulling on cord. Grasp the plug, not the cord.
  - DO NOT** run the vacuum cleaner over the power cord, close a door on the cord, pull the cord around sharp corners, or leave the cord near heated surfaces.
- DO NOT** put any objects into nozzle or accessory openings. **DO NOT** use with any opening blocked; keep free of dust, lint, hair, and anything that may reduce airflow.
- DO NOT** use if nozzle or accessory airflow is restricted. If the air paths or the motorized floor nozzle become blocked, turn the vacuum cleaner off and unplug from electrical outlet. Remove all obstructions before you plug in and turn on the unit again.
- Keep nozzle and all vacuum openings away from hair, face, fingers, uncovered feet, or loose clothing.
- DO NOT** use if vacuum cleaner is not working as it should, or has been dropped, damaged, left outdoors, or dropped into water.
- Use extra care when cleaning on stairs.
- DO NOT** leave the vacuum cleaner unattended while plugged in.
- When powered on, keep the vacuum cleaner moving over the carpet surface at all times to avoid damaging the carpet fibers.
- DO NOT** place vacuum cleaner on unstable surfaces such as chairs or tables.
- Your Shark® Vacuum may not be designed to stand up on its own. When taking a break from cleaning, you may need to lean it against furniture or a wall, or lay it flat on the floor. Using the vacuum for an application where the unit lacks stability may result in personal injury.
- DO NOT** use to pick up:
  - Liquids
  - Large objects
  - Hard or sharp objects (glass, nails, screws, or coins)
  - Large quantities of dust (drywall dust, fireplace ash, or embers). **DO NOT** use as an attachment to power tools for dust collection.
  - Smoking or burning objects (hot coals, cigarette butts, or matches)
  - Flammable or combustible materials (lighter fluid, gasoline, or kerosene)
  - Toxic materials (chlorine bleach, ammonia, or drain cleaner)
- DO NOT** use in the following areas:
  - Poorly lit areas
  - Wet or damp surfaces
  - Outdoor areas
  - Spaces that are enclosed and may contain explosive or toxic fumes or vapors (lighter fluid, gasoline, kerosene, paint, paint thinners, mothproofing substances, or flammable dust)
- Turn off all controls before plugging in or unplugging the vacuum.
- Unplug from electrical outlet when not in use and before any maintenance or cleaning.
- Hand wash with water only. Washing with cleaning chemicals could damage the unit.
- During cleaning or routine maintenance, **DO NOT** cut anything other than hair, fibers, or string wrapped around the brushroll.
- Allow all filters to air-dry completely before replacing in the vacuum to prevent liquid from being drawn into electric parts.
- Make sure the dust cup and all filters are in place after routine maintenance.
- If provided, secure the power cord around the two cord hooks during storage.

## GETTING TO KNOW YOUR SHARK® ROCKET® ULTRA-LIGHT UPRIGHT

### MAIN UNIT

- Power Switch
- Handheld Vacuum
- Dust Cup Release
- Handheld Vacuum Catch
- LED Light
- Cord Hooks (not visible)
- Wand Release
- Wand
- Handheld Vacuum Storage Hook
- Lower Wand Release Pedal
- Brushroll Indicator Light
- Motorized Floor Nozzle
- Headlights



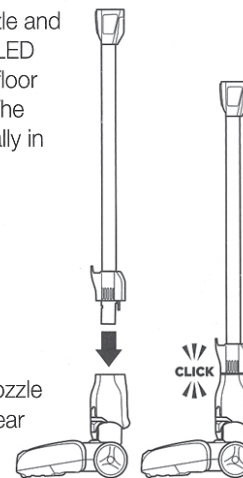
Accessory type and quantity may vary depending on the model.

## ASSEMBLING YOUR VACUUM

### DID YOU KNOW?

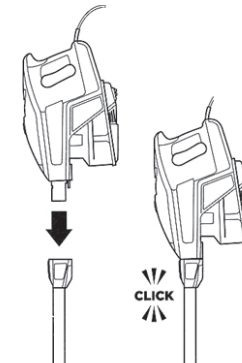
The motorized floor nozzle and handheld vacuum have LED lights that illuminate the floor surface being cleaned. The lights turn on automatically in either speed setting.

### STEP 1



- 1 Insert the wand into the motorized floor nozzle connector until you hear a click.

### STEP 2



- 2 Insert the handheld vacuum into the top of the wand until you hear a click.

## USING THE MOTORIZED FLOOR NOZZLE

**⚠ WARNING:** This vacuum does not stand up on its own, so when taking a break from cleaning, rest it against a piece of furniture or a wall, or lay it flat on the floor. Using for an application where the unit lacks stability may result in personal injury.

**NOTE:** Before vacuuming your delicate area rugs or carpet, refer to the manufacturer's recommended cleaning instructions.

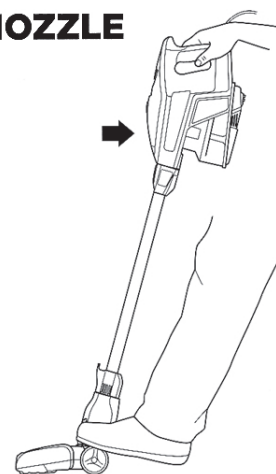
### WHAT DOES THE BRUSHROLL INDICATOR LIGHT MEAN?

#### Solid Green

The brushroll is on and working as it should.

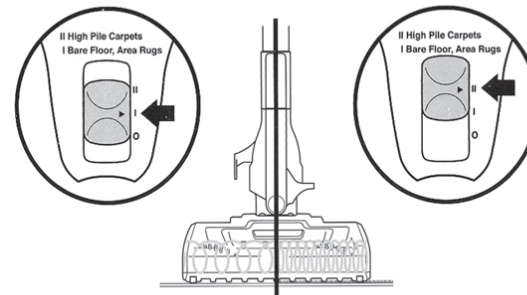
#### Solid Red

There is a jam in the brushroll area. Turn your vacuum off and remove the blockage.



- 1 Plug the unit in and recline the wand.

## CHOOSING THE APPROPRIATE SETTING



The Rocket® Ultra-Light has a 2-speed Power slider switch on the handle. Slide the Power switch to appropriate speed setting (I or II) and start cleaning.

**Bare Floor, Area Rugs (I)** – The brushroll spins slowly to clean bare floors and delicate area rugs.

**High Pile Carpets (II)** – The brushroll spins faster to pick up debris below the surface of your carpets.

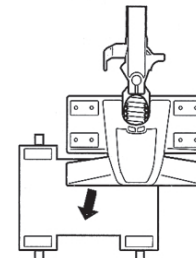
**NOTE:** For deep cleaning per ASTM F 608 (embedded dirt in carpets) please set to High Pile Carpets (II).

## USING THE DUST-AWAY™ HARD FLOOR ATTACHMENT

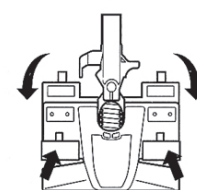
**★ IMPORTANT:** Do not use the Dust-Away Hard Floor Attachment without the Microfiber Pad.

**NOTE:** Both power settings provide the same suction power.

### STEP 1



### STEP 2



### MICROFIBER PAD CARE

Machine or hand wash the pads separately in warm water with liquid detergent.

Do not use bleach or fabric softeners as they may damage the pads or leave a coating that will reduce their cleaning performance.

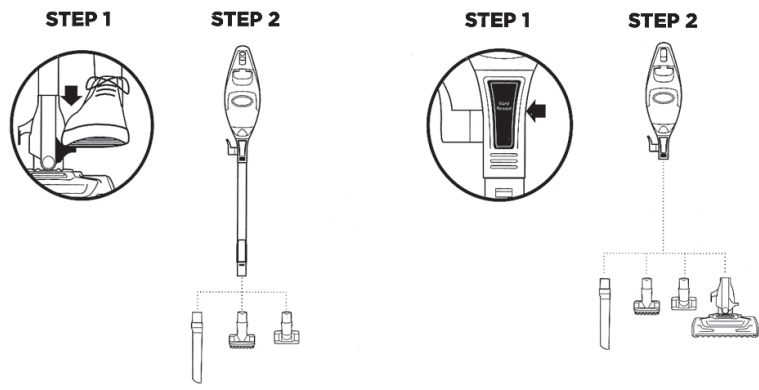
Tumble dry low or line dry to extend the life of the microfiber fabric.

For the best results, replace your microfiber pads every 3 to 4 months.

- 1 Slip two tabs between the nozzle and the duster base and attach them to the front fasteners.

- 2 Pull the other two tabs tightly around to the back fasteners. Ensure the pad is flat against the bottom surface and tightly secured. Slide the power switch to either setting to clean hard floors. Do not use to clean damp floors or wet/sticky messes. Use only pad provided.

## USING YOUR VACUUM IN ABOVE-FLOOR MODE



### FOR LONG-REACH CLEANING

- 1 Stand the vacuum upright. Step on the foot pedal and pull the wand up to disconnect it from the motorized floor nozzle.
- 2 Attach desired cleaning accessory.

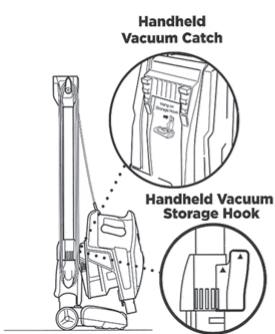
### FOR SHORT-REACH CLEANING

- 1 Press the Wand Release button on the top of the wand to disconnect it from the handheld vacuum.
- 2 Attach desired cleaning accessory. The LED light on the handheld vacuum turns on automatically when the power is on.

Note:  
Your Quick Start Guide shows the accessories that are included with your model.  
\*Accessories may vary depending on model.

Note: Accessories may vary depending on model.

## STORAGE



- 1 Press the Wand Release button on the top of the wand to release the handheld vacuum. There is a catch on the bottom of the handheld vacuum. Hang it from the hook located on the bottom portion of the wand. Wrap the cord around the two cord hooks.

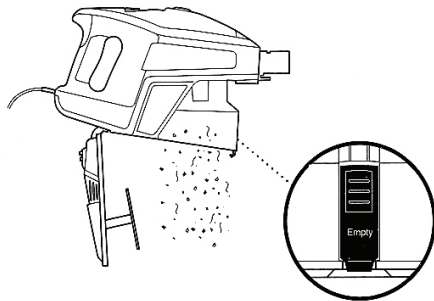
## MAINTAINING YOUR VACUUM

- WARNING:** Hand wash filters with water only to prevent damage from cleaning chemicals. Allow ALL filters to dry completely before replacing in the vacuum to prevent liquid from being drawn into electric parts.

- CAUTION:** Turn power off and unplug before servicing.

- IMPORTANT:** Clean the dust screen inside the dust cup as required.

- NOTE:** Empty dust cup when debris reaches the MAX fill line.

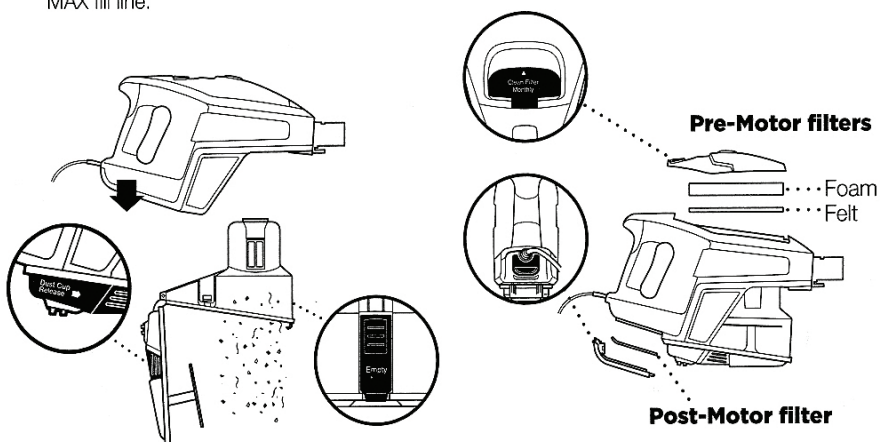


### EMPTYING THE DUST CUP

- 1 Press the Wand Release button on the top of the wand to disconnect it from the handheld vacuum.

OR

Remove the dust cup from the handheld vacuum by squeezing the two Dust Cup Release buttons on both sides of the base at the same time and pulling it out.



### CLEANING THE FILTERS

- 2 Hold dust cup over a trash bin and press the Empty button on the front of the dust cup. The bottom lid will open, allowing the debris to fall out.
- 3 Once dust cup is empty, close the bottom lid and insert dust cup back into handheld vacuum until you hear it click into place.
- 1 Access the Pre-Motor foam and felt filters by lifting the latch on the top of the handheld vacuum. Remove and rinse the filters with water. Tap loose dirt off filters between washes as needed. Once completely dry, insert the felt filter first, then place the foam filter on top of it.
- 2 Access the Post-Motor filter under the handle. Remove and rinse the filter with water.

Accessory type and quantity may vary depending on the model.

The image shown here is for illustrative purposes only and may be subject to change.

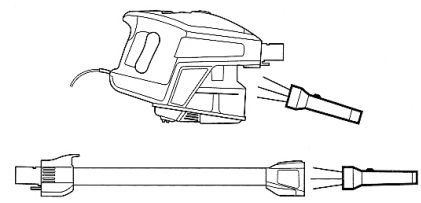
Illustrations may differ from actual product. We are constantly striving to improve our products; therefore the specifications contained herein are subject to change without notice.

## MAINTAINING YOUR VACUUM

- WARNING:** Do not cut anything but the hair, fibers or string that is on the brushroll.

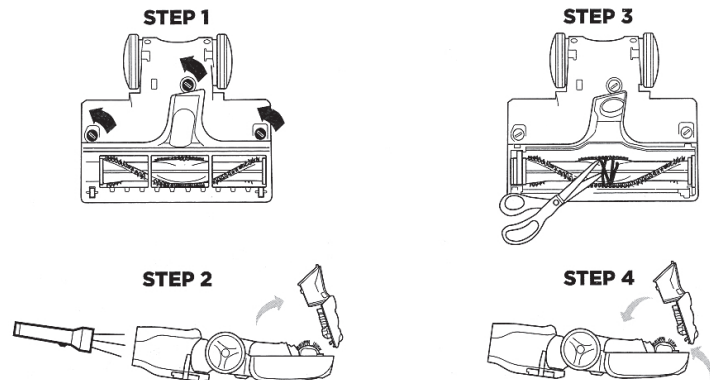
- TIP:** Ensure the bottom of the floor nozzle is completely sealed and locked before using.

- TIP:** You do not need any tools to open the floor nozzle—just a coin.



### CHECKING FOR BLOCKAGES: HANDHELD AND WAND

- 1 Remove the wand from the handheld portion and check all dust cup intake openings.
- 2 Remove the floor nozzle from the wand and check the wand for blockages.



### BOTTOM OF FLOOR NOZZLE

- 1 Use a coin to unlock the three locks on the bottom of the floor nozzle.
- 2 A portion of the base is removable to allow for better access to the brushroll and exposure to the airway. Shine a flashlight from the bottom to check for possible blockages in the airway.
- 3 Remove any string, carpet fibers, or hair that may be wrapped around the brushroll. There is a groove along the brushroll that allows a pair of scissors to cut across it to loosen up debris.
- 4 To re-assemble, replace base by lining it up along the front of the nozzle. Push down to snap into place until you hear a click. Lock the three locks.

## TROUBLESHOOTING GUIDE

- WARNING:** To reduce the risk of shock and unintended operation, turn power off and unplug unit before servicing.

**Vacuum is not picking up debris. No suction or light suction.**  
(Refer to Maintenance section for more information.)

- Check filters to see if they need cleaning. Follow instructions for rinsing and completely air-drying the filters before reinserting in the vacuum.
- Dust cup may be full; empty dust cup.
- Check floor nozzle for blockages; clear blockages if required.
- Remove any string, carpet fibers, or hair that may be wrapped around the brushroll.

### Vacuum lifts area rugs.

- Suction is powerful. Take care when vacuuming area rugs or rugs with delicately sewn edges.
- Turn off the unit to disengage the brushroll and restart with the Power slider switch.

### Brushroll does not spin.

- If Brushroll Indicator Light on the floor nozzle turns red, the brushroll has stopped spinning. Immediately turn off and unplug vacuum and remove blockage. Re-plug the unit into an electrical outlet and turn vacuum on.
- If Brushroll Indicator Light on the floor nozzle is green, the blockage has been successfully cleared. If the light is still red, please contact a service center.

### Vacuum turns off on its own.

This vacuum is equipped with a motor-protective thermostat so the vacuum will shut off if it overheats. Should this occur, perform the following steps to restart the motor-protective thermostat:

1. Turn vacuum off and unplug it.
2. Empty dust cup and clean filters (see Maintenance section).
3. Check for blockages in hose, accessories, and inlet openings.
4. Allow unit to cool for a minimum of 45 minutes.
5. Plug in vacuum and turn it on.

SharkNinja Operating LLC  
US: Newton, MA 02459  
CAN: Ville St-Laurent, QC H4S 1A7

Illustrations may differ from actual product.  
Shark and Rocket are registered trademarks of SharkNinja Operating LLC.  
For SharkNinja U.S. Patent information, visit [sharkninja.com/USPatents](http://sharkninja.com/USPatents).

## REFURBISHED PRODUCT LIMITED NINETY DAYS WARRANTY

The **Refurbished Product Service Center** offers the following WARRANTY to the ORIGINAL purchaser of a product which we have refurbished.

This product that has been refurbished is warranted against any electronic or mechanical defects for a period of NINETY DAYS from the date of the original purchase by the consumer. Since this unit was sold as a refurbished item, the warranty does not apply to any cosmetic appearance items such as scratches. Should a defect occur, the **Refurbished Product Service Center** will repair or, at its option, replace defective unit/parts with new or rebuilt materials without charge for either parts or labor. Replacement unit/parts will be warranted for the remaining portion of the original warranty period.

This warranty does not cover installation or damage from accident, misuse, abuse, improper wiring, incorrect voltage, operating the unit against the instructions in the owner's manual or any product which has been opened, altered, or tampered with.

This warranty does not cover costs for removal and or installation of the unit for repair. Under no circumstances shall the service center be liable for any special, incidental or consequential damages or for any other expenses incurred by reason of use or sale of this product. This warranty is in lieu of any other warranties expressed or implied warranty of merchantability of fitness for particular use or otherwise.

This warranty gives the consumer specific legal rights and they may also have other rights which vary from State to State. Some States do not follow the exclusion or limitation of incidental or consequential damages, hence the above exclusion and limitations may not apply.

**Refurbished Product Service Center**  
13225 Marquardt Avenue Santa Fe Springs, CA 90670.

### WARRANTY REPAIR INFORMATION

If you need service on your unit and this product requires repair during the 90 days warranty period; please go to [www.ConsumerServiceRefurbish.com](http://www.ConsumerServiceRefurbish.com) or call the **Refurbished Product Service Center** at 562-946-3531 to obtain the required return authorization (RA) number. Pack the unit properly (the original carton is ideal for this purpose) along with a copy of your purchase receipt and a letter describing the problem. Send the unit freight prepaid and insured to:

**Refurbished Product Service Center,**  
Att: Customer Service Department 13225 Marquardt Avenue Santa Fe Springs, CA 90670

Your unit will be promptly repaired and returned to you.

We will refuse to accept delivery of the returned unit unless the assigned RA number appears on the outside of the shipping carton.

### Owner's Information (Keep for your permanent records)

NAME: \_\_\_\_\_  
ADDRESS: \_\_\_\_\_  
CITY: \_\_\_\_\_ STATE: \_\_\_\_\_ ZIP CODE: \_\_\_\_\_  
PHONE: \_\_\_\_\_ E-MAIL: \_\_\_\_\_  
MODEL: \_\_\_\_\_ SERIAL NO.: \_\_\_\_\_



# Shark

# Rocket

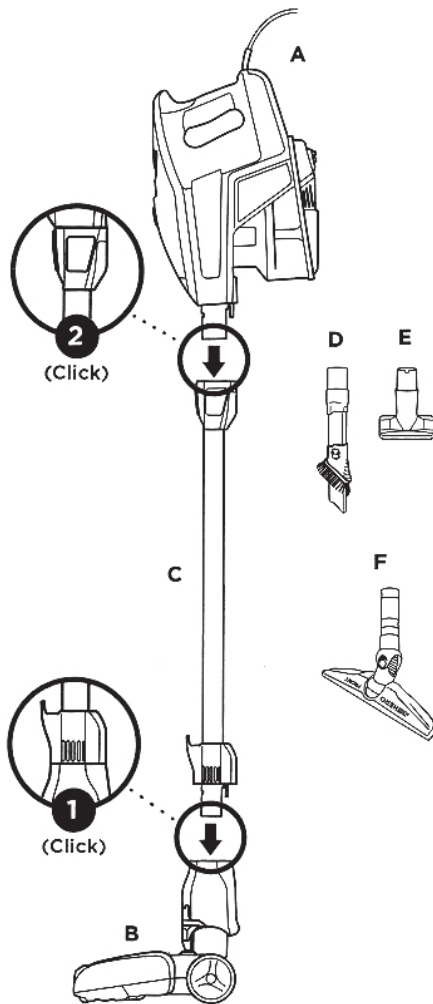
## DELUXE PRO Ultra-Light Upright

### QUICK START GUIDE

#### WHAT'S INSIDE

- A** Handheld Vacuum
- B** Motorized Floor Nozzle
- C** Wand
- D** Duster Crevice
- E** Upholstery Tool
- F** Hard Floor Hero™

#### ASSEMBLY

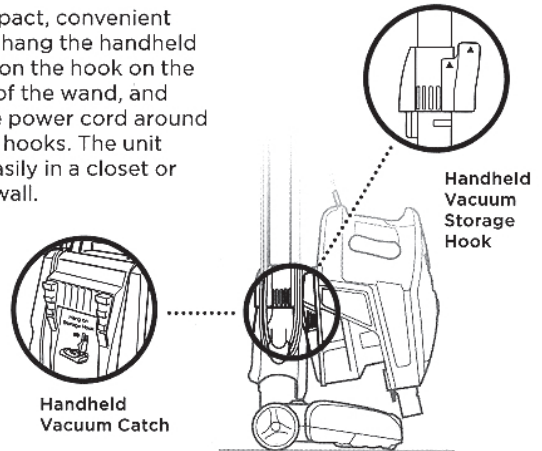


**Note:** Accessories may vary depending on model. The images shown here are for illustrative purposes only and may be subject to change.

#### STORAGE

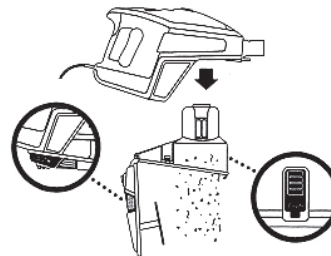
##### Option 1: Onboard Hook

For compact, convenient storage, hang the handheld vacuum on the hook on the bottom of the wand, and wrap the power cord around the cord hooks. The unit stores easily in a closet or along a wall.



#### MAINTENANCE

Empty the dust cup every time debris reaches the MAX fill line.

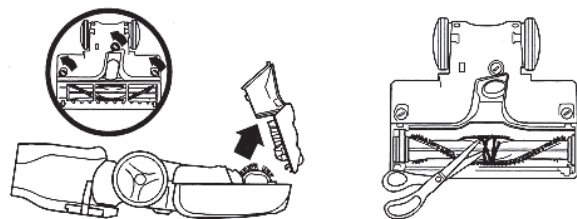


**TIP:**  
Wash filters every month to keep the suction strong.

Rinse filters and allow to air-dry completely. Tap loose dirt from foam filters as needed between washes.

##### Brushroll Maintenance

A portion of the base is removable to allow for better access to the brushroll and exposure to the airway. Remove any string, carpet fibers, or hair that may be wrapped around the brushroll. Loosen debris by cutting across the groove on the brushroll with a pair of scissors.



804009062A



Printed in Mexico

Sc: 04.26.2019

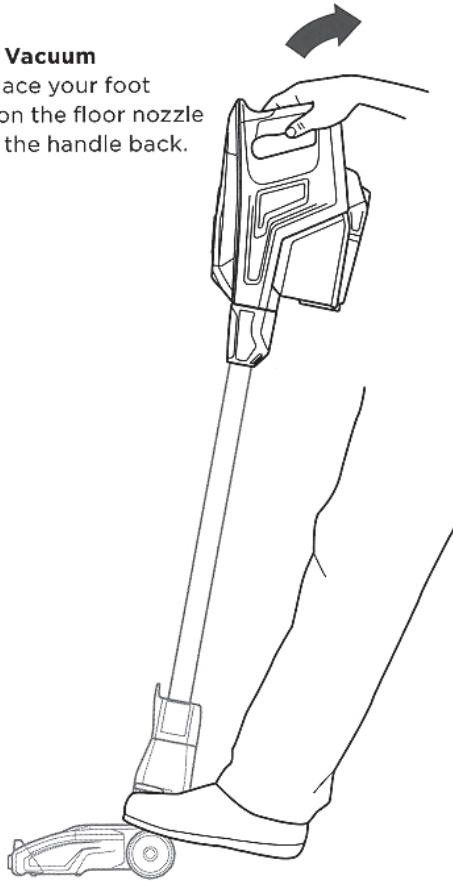
Pgs.:1

Obpn:HV322\_QSG\_REV\_180604  
Shnmdl: HV322\_BP\_No Mult-Angle

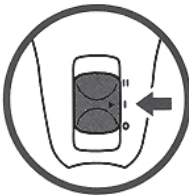
# VERSATILE FLOOR-TO-CEILING CLEANING

## FLOOR CLEANING

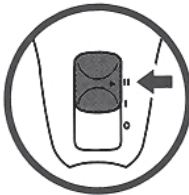
- 1 Plug In Vacuum**  
Then place your foot gently on the floor nozzle and tilt the handle back.



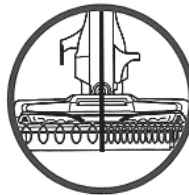
- 2 Choose Setting**  
The Rocket® Deluxe Pro has a 2-speed power slider switch on the handle. Slide the power switch to the appropriate floor setting and start cleaning.



**Setting I**  
**Gentle on bare floors and delicate area rugs.**  
The brushroll spins slowly to clean bare floors and delicate area rugs.



**Setting II**  
**Deep cleans carpets by removing embedded dirt.**  
The brushroll spins faster to pick up debris below the surface of your carpets.



**NOTE:**  
For deep cleaning per ASTM F 608 (embedded dirt in carpet) please use Setting II, high pile carpet mode.

## ABOVE-FLOOR CLEANING

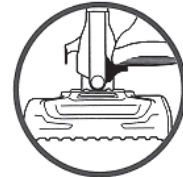
- 1** Stand the vacuum upright. Step on the foot pedal and pull the wand up to disconnect it from the motorized floor nozzle.

OR

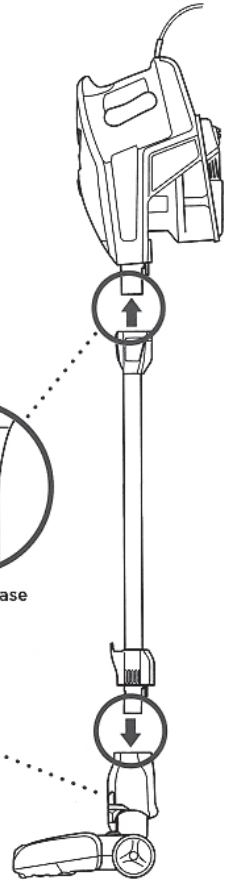
Press the Wand Release button on the top of the wand to disconnect it from the handheld vacuum.



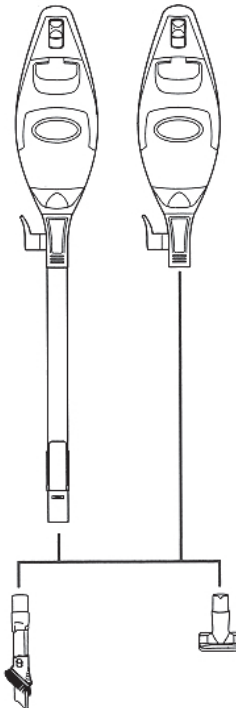
Wand Release



Floor Nozzle Release



- 2** Attach desired cleaning accessory.



**NOTE:** Use Setting I for all above-floor accessories.