

Shark HYDROVAC™

Corded 3-in-1 Cleaner

Please read this manual carefully before operating your unit and retain for future reference.

IMPORTANT SAFETY INSTRUCTIONS

FOR HOUSEHOLD USE ONLY.

READ ALL INSTRUCTIONS BEFORE USING THIS 3-IN-1 CLEANER

WARNING

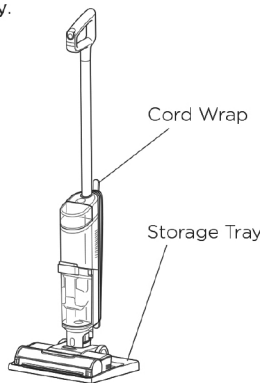
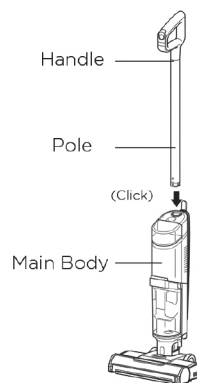
To reduce the risk of fire, electric shock, injury, or property damage:

- If the power cord plug does not fit fully into the outlet, reverse the plug. If it still does not fit, contact a qualified electrician. **DO NOT** force into outlet or try to modify to fit.
- To reduce the risk of shock and unintended operation, turn off power before servicing.
- This 3-in-1 Cleaner consists of a motorized nozzle, main body pole, and handle. These components contain electrical connections, electrical wiring, and moving parts that potentially present risk to the user.
- Before each use, carefully inspect all parts for any damage. If a part is damaged, discontinue use.
- Use only identical replacement parts.
- DO NOT** use the 3-in-1 Cleaner for any purpose other than those described in this Owner's Guide.
- DO NOT** immerse or spray water on the body of the 3-in-1 Cleaner. To clean the surface, wipe with a dry cloth.
- Keep the 3-in-1 Cleaner and the dock's cord out of reach of children. **DO NOT** allow the appliance to be used by children. **DO NOT** allow to be used as a toy. Close supervision is necessary when used near children.
- This appliance can be used by persons with reduced physical, sensory or mental capabilities or lack of experience or knowledge if they have been given supervision or instruction concerning use of the appliance in a safe way and understand the hazards involved. Cleaning and user maintenance shall not be done by children.
- DO NOT** handle plug or 3-in-1 Cleaner with wet hands.
- DO NOT** use without the dirty water tank, clean solution tank, filter, brushroll, and brushroll cover in place.
- Use only identical replacement parts. Only use Shark® branded filters and accessories.
- DO NOT** put any objects into nozzle openings. **DO NOT** use with any opening blocked; keep free of dust, lint, hair, and anything that may reduce airflow.
- DO NOT** use if nozzle airflow is restricted. If the air paths or the motorized floor nozzle become blocked, turn the 3-in-1 Cleaner off. Remove all obstructions before you turn on the unit again. Keep nozzle and all 3-in-1 Cleaner openings away from hair, face, fingers, uncovered feet, or loose clothing. See "Maintaining Your 3-in-1 Cleaner / Checking for Blockages" for more information.
- DO NOT** use if 3-in-1 Cleaner is not working as it should, or has been dropped, damaged, left outdoors, or dropped into water.
- Use extra care when cleaning on stairs.
- DO NOT** leave the 3-in-1 Cleaner unattended while powered on.
- When using on any surface, always keep the 3-in-1 Cleaner moving to avoid damaging the surface (e.g., carpet fibers).
- DO NOT** place 3-in-1 Cleaner on unstable surfaces such as chairs or tables.
- DO NOT** use to pick up:
 - Large objects
 - Hard or sharp objects (glass, nails, screws, or coins)
 - Large quantities of dust (e.g., drywall dust).
 - Smoking or burning objects (hot coals, cigarette butts, or matches)
 - Flammable or combustible materials (lighter fluid, gasoline, or kerosene)
 - Toxic materials (chlorine bleach, ammonia, or drain cleaner)
- DO NOT** use in the following areas:
 - Poorly lit areas
 - Outdoor areas
 - Spaces that are enclosed and may contain explosive or toxic fumes or vapors (lighter fluid, gasoline, kerosene, paint, paint thinners, mothproofing substances, or flammable dust).
- Turn off the 3-in-1 Cleaner before any adjustment, cleaning, maintenance, or troubleshooting.
- During cleaning or routine maintenance, **DO NOT** cut anything other than hair, fibers, or string wrapped around the brushroll.
- Allow all filters to air-dry completely before reinstalling them in the 3-in-1 Cleaner to prevent liquid from being drawn into electric parts.
- DO NOT** modify or attempt to repair the 3-in-1 Cleaner yourself. **DO NOT** use the 3-in-1 Cleaner if it has been modified or damaged.
- Turn off all controls before unplugging.
- Use only Shark brand cleaning fluids intended for use with this appliance to prevent internal component damage.

SAVE THESE INSTRUCTIONS

ASSEMBLY

- Align the **Pole** with the opening in the **Main Body** and insert firmly until it clicks into place.
- Place the **Storage Tray** on the floor near a wall outlet. Place the 3-in-1 Cleaner on the tray.



NOTE: To remove the handle, press the release button located on the back of the unit with a thin tool while pulling up on the handle.

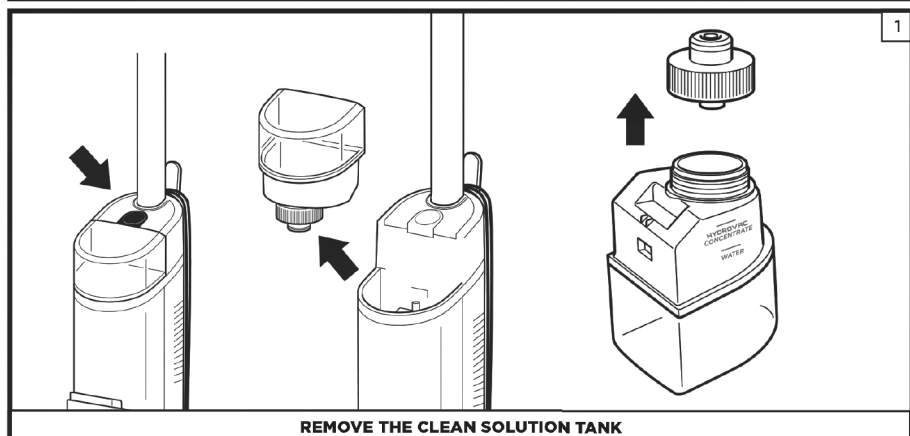
NOTE: When assembling your HydroVac, there may be a little water in or around the water tanks. This is because we test all our HydroVacs before you buy them to ensure the highest quality.

NOTE: Accessories may vary depending on the model. Refer to quick guide, if available. The images shown here are for illustrative purposes only and may be subject to change.

USING YOUR 3-IN-1 CLEANER

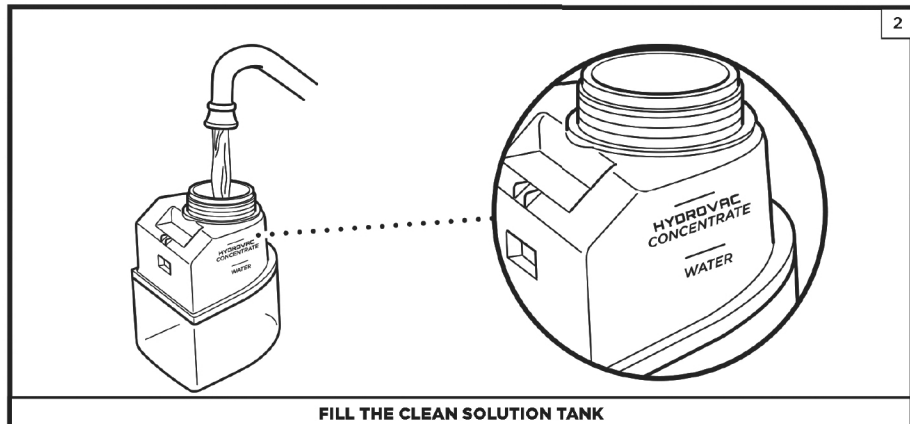
To use, unwrap the power cord from the back of the unit. Plug the prongs in to a safe outlet. Make sure the prongs are not wet before plugging into an outlet. When you are done cleaning, unplug the cord and wrap it around the cord-wrap hooks.

FILLING THE CLEAN SOLUTION TANK



REMOVE THE CLEAN SOLUTION TANK

Press the release button and lift off the **Clean Solution Tank**.



FILL THE CLEAN SOLUTION TANK

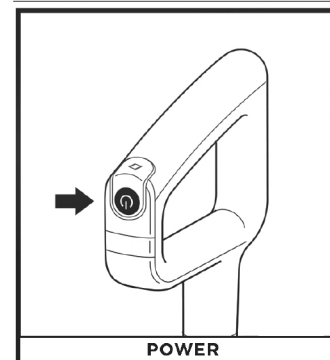
Unscrew the cap and add water to the tank, up to the **WATER** line. Next, add Shark HydroVac™ Multi-Surface Concentrate, filling to the **HYDROVAC CONCENTRATE** line. Replace the cap and reinsert the tank until it clicks into place. The top of the tank should be flush with the top of the body.

NOTE: Only use Shark HydroVac Multi-Surface Concentrate, Shark HydroVac Disinfectant, and water with this product. **NOTE:** If the clean solution tank is empty, the unit may make a pumping sound. This is normal. Refill the clean solution tank to continue.

NOTE: Be sure to not overfill the Clean Solution Tank with more HydroVac Multi Surface Concentrate than instructed, as this may cause streaking.

NOTE: The 3-in-1 Cleaner will not run without sufficient water supply in the clean solution tank.

CONTROLS

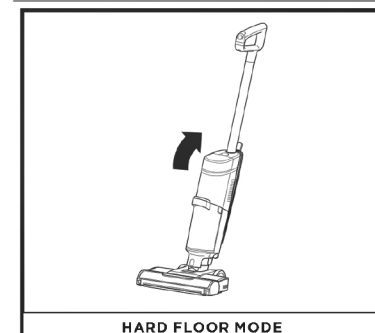


POWER

Press and release the **Power** button on the handle to turn on power. To turn off power, press the button again.

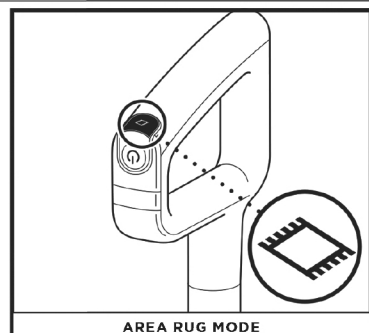
Note: The image shown here is for illustrative purposes only and may be subject to change. The actual number of ports and their locations may vary depending on the model.

CLEANING MODES



HARD FLOOR MODE

Use Hard Floor mode for powerful cleaning on bare floors. To activate Hard Floor mode, turn on the unit and tilt the handle back.



AREA RUG MODE

To clean area rugs, press the Area Rug icon on top of the handle. The Area Rug light on the main body will illuminate. To turn off Area Rug mode, press the button again.

NOTE: To prevent leakage, **DO NOT** place the main body on the floor. The nozzle should always be kept flat on the floor.

NOTE: If your floors are cloudy, streaky, or spotty after cleaning, it may be due to accumulated soap or grease residue. The floor may require several cleanings with the Hydrovac.

NOTE: If you encounter a difficult stain, use Area Rug Mode for improved stain cleaning.

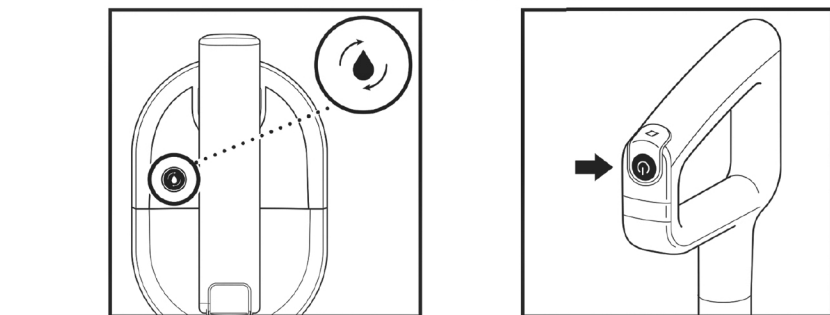
NOTE: If you encounter a stubborn odor on your floor or area rug, continue to clean in Area Rug mode until the odor is gone.

MAINTAINING YOUR 3-IN-1 CLEANER

SELF-CLEAN CYCLE

The self-clean cycle automatically cleans the system and the brushroll.

Recommended after every use



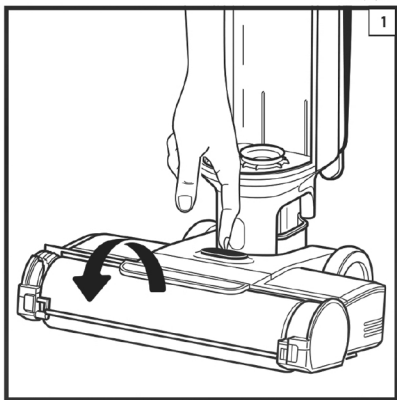
RECOMMENDED AFTER EVERY USE

- Place the unit on the Storage Tray. The Self-Clean mode icon located on the top of the main body will pulse.
- Empty the **Dirty Water Tank** and make sure the clean solution tank is at least half full.
- Press the **Power Button** to start the self-clean cycle. The icon will illuminate for the full 2-minute duration of the cycle.
- DO NOT** remove the unit from the tray during the self-cleaning cycle. The icon will turn off when the cycle is complete.
- Empty the dirty water tank.

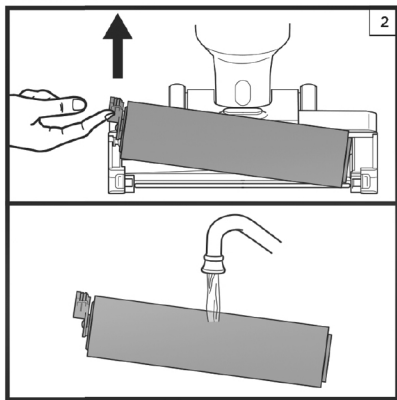
NOTE: Make sure the clean solution tank is at least half full and that the dirty water tank is empty before running the self-cleaning cycle.

MANUALLY CLEANING THE BRUSHROLL

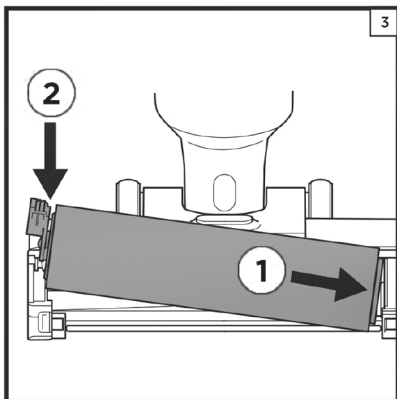
You can clean the brushroll by hand as an alternative to the self-clean cycle, and to remove debris or hair wrapped around the brushroll.



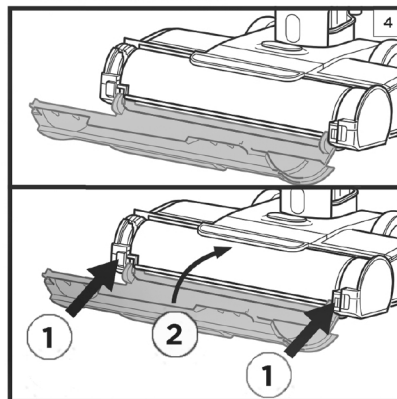
1. To access the brushroll, press the button on the top of the nozzle and lift off the brushroll cover.



2. Remove the brushroll by pulling up on the pull tab on the left side of the nozzle. Wipe away any debris stuck on the back wall. Wash thoroughly with warm water. Allow the brushroll to air-dry completely in a well-ventilated area for at least 24 hours.



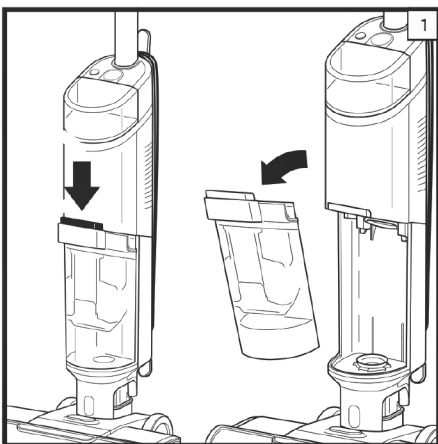
3. Reinsert the brushroll by lining up the grooves on the end of the brushroll with the helix on the inner right side of the nozzle, then press down on the left side of the brushroll. When properly installed, the brushroll tab will be flush with the left side of the nozzle.



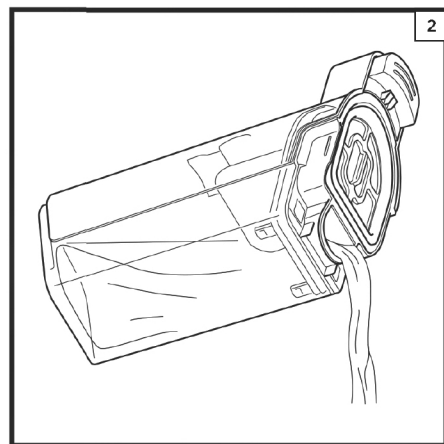
4. To reinstall the brushroll cover, insert the tabs on the cover into the slots on the nozzle. Press down on the cover until it clicks into place.

NOTE: Do not place brushroll in washing machine or dishwasher. Replace the brushroll after 6 months.

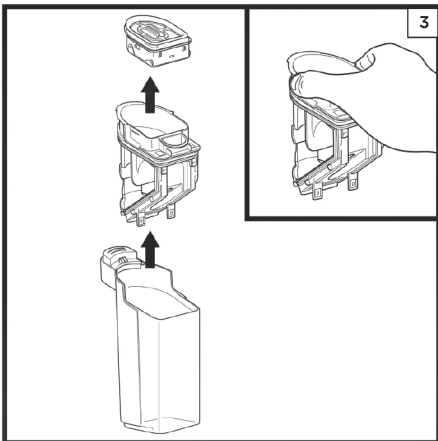
CLEANING THE DIRTY WATER TANK



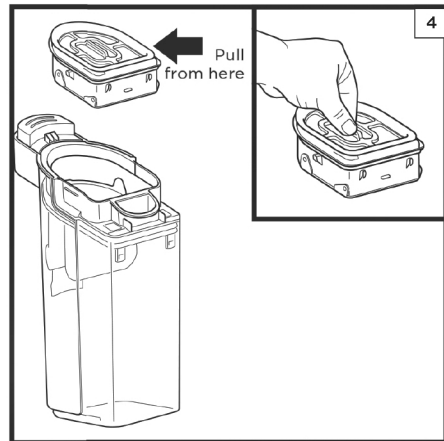
1. To remove the dirty water tank, press the release button and pull out the tank.



2. To dispose of liquid waste only, pour it out through the **Easy Pour** spout on the back of the dirty water tank.



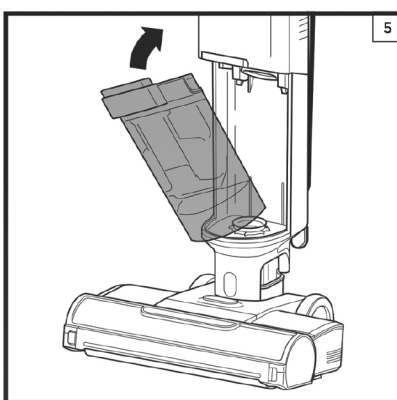
3. To dispose of solid debris, lift out the **Solids Separator**. Grasp the recessed areas on the sides of the separator and lift it out. Empty the solid debris into the trash. If any liquid waste remains in the tank, pour it down a drain. To clean, rinse the separator and the tank with water.



4. Clean the filter housing and the foam filter after every use. Pull out the foam filter and hand-wash with warm water and soap. Allow the foam filter to air-dry completely in a well-ventilated area for **24 hours** before reinstalling back into the unit.

NOTE: Replace the filter every **6 Months**.

NOTE: Do not place dirty water tank in washing machine or dishwasher.



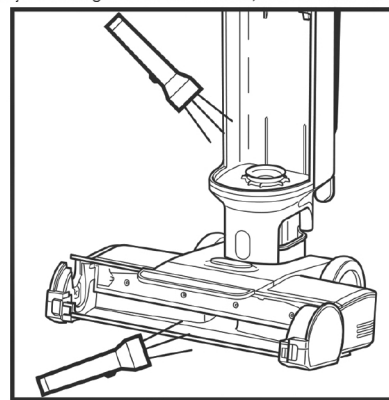
5. After cleaning the dirty water tank and the solids separator, allow them to air-dry in a well-ventilated area for at least 24 hours. To reinstall the tank, insert the bottom into the opening in the main body, then tilt the tank back until it clicks into place.

NOTE: Accessories may vary depending on the model. Refer to quick guide, if available. The images shown here are for illustrative purposes only and may be subject to change.

TECHNICAL SPECIFICATIONS
Voltage: 120V ≈ 60Hz

CHECKING FOR BLOCKAGES

If you run over a hard or sharp object or notice a noise change while using your unit, check for blockages or objects caught in the brushroll, nozzle chamber, or inlet hose.



1. Turn off the power.
2. Remove the brushroll cover, brushroll, and dirty water tank.
3. Check the openings and remove all debris.
4. When finished, reinstall the brushroll and the cover.

MAINTAINING YOUR 3-IN-1 CLEANER

TROUBLESHOOTING

WARNING: To reduce the risk of shock and unintended operation, turn off power before servicing.

LED INDICATOR	WHAT IT MEANS	WHAT TO DO
The Water Droplet LED is pulsing red. 	The dirty water tank is full.	Empty the fluid in the dirty water tank. *If this is a false error, remove solids separator and clean completely. Allow part to dry for 24 hours or dry manually.
The Water Droplet LED is pulsing aqua. 	The clean solution tank is empty.	Fill the clean solution tank. Refer to the "Filling the Clean Solution Tank" section.
The Area Rug icon and the three water droplet lights are flashing red at the same time. 	Brushroll cover is not installed properly.	Refer to the "Cleaning the Brushroll" section, step 4
The Area Rug icon and the three water droplet lights are flashing red out of sync. 	The brushroll is jammed.	Turn off the power before cleaning the brushroll and any debris that may be causing the jam. Refer to the "Cleaning the Brushroll" section.
Self-Clean icon and droplets are flashing blue. 	Not enough solution to run Self-Clean Cycle.	Fill clean solution tank to allow self-clean cycle to run.
Self-Clean icon and droplets are flashing red. 	Dirty water tank is full and preventing Self-Clean Cycle to run.	Empty dirty water tank to allow self-clean cycle to run.

NOTE: If 3-in-1 Cleaner still does not operate properly, contact a service center

REFURBISHED PRODUCT LIMITED NINETY DAYS WARRANTY

The **Refurbished Product Service Center** offers the following WARRANTY to the ORIGINAL purchaser of a product which we have refurbished.

This product that has been refurbished is warranted against any electronic or mechanical defects for a period of NINETY DAYS from the date of the original purchase by the consumer. Since this unit was sold as a refurbished item, the warranty does not apply to any cosmetic appearance items such as scratches. Should a defect occur, the **Refurbished Product Service Center** will repair or, at its option, replace defective unit/parts with new or rebuilt materials without charge for either parts or labor. Replacement unit/parts will be warranted for the remaining portion of the original warranty period.

This warranty does not cover installation or damage from accident, misuse, abuse, improper wiring, incorrect voltage, operating the unit against the instructions in the owner's manual or any product which has been opened, altered, or tampered with.

This warranty does not cover costs for removal and or installation of the unit for repair. Under no circumstances shall the service center be liable for any special, incidental or consequential damages or for any other expenses incurred by reason of use or sale of this product. This warranty is in lieu of any other warranties expressed or implied warranty of merchantability of fitness for particular use or otherwise.

This warranty gives the consumer specific legal rights and they may also have other rights which vary from State to State. Some States do not follow the exclusion or limitation of incidental or consequential damages, hence the above exclusion and limitations may not apply.

Refurbished Product Service Center
13225 Marquardt Avenue Santa Fe Springs, CA 90670.

WARRANTY REPAIR INFORMATION

If you need service on your unit and this product requires repair during the 90 days warranty period; please go to www.ConsumerServiceRefurbish.com or call the **Refurbished Product Service Center** at 562-946-3531 to obtain the required return authorization (RA) number. Pack the unit properly (the original carton is ideal for this purpose) along with a copy of your purchase receipt and a letter describing the problem. Send the unit freight prepaid and insured to:

Refurbished Product Service Center,
Att: Customer Service Department 13225 Marquardt Avenue Santa Fe Springs, CA 90670

Your unit will be promptly repaired and returned to you. We will refuse to accept delivery of the returned unit unless the assigned RA number appears on the outside of the shipping carton.

Owner's Information
(Keep for your permanent records)

NAME: _____ ADDRESS: _____
CITY: _____ STATE: _____
ZIP CODE: _____ PHONE: _____ E-MAIL: _____
MODEL: _____ SERIAL NO.: _____

804106929



PRINTED IN MEXICO Elbrd: A.M.
OBPN:WD100Series_IB_MP_Mv12_220607
SC: 01-16-2023_TAB MODEL: WD100_B

Shark HYDROVAC™

Corded 3-in-1 Cleaner

QUICK START GUIDE

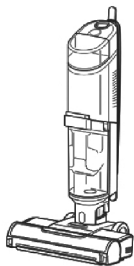
WHAT'S INSIDE

A Handle and Pole

B Main Body

C Storage Tray

B



A



C



* Accessories may vary depending on the model.

* The images shown here are for illustrative purposes only and may be subject to change.

804006929



PRINTED IN MEXICO
MODEL: WD101 /SC: 01-17-2023
Elbrd: A.M. / OBPN: N/A