

# Shark HYDROVAC™

## Corded 3-in-1 Cleaner

Please read this manual carefully before operating your unit and retain for future reference.

### IMPORTANT SAFETY INSTRUCTIONS

FOR HOUSEHOLD USE ONLY READ ALL INSTRUCTIONS BEFORE USING THIS 3-IN-1 CLEANER

#### ⚠ WARNING

To reduce the risk of fire, electric shock, injury, or property damage:

- If the charging cord plug does not fit fully into the outlet, reverse the plug. If it still does not fit, contact a qualified electrician. **DO NOT** force into outlet or try to modify to fit.
- To reduce the risk of shock and unintended operation, turn off power before servicing.
- This 3-in-1 Cleaner consists of a motorized nozzle, main body, pole, and handle. These components contain electrical connections, electrical wiring, and moving parts that potentially present risk to the user.
- Before each use, carefully inspect all parts for any damage. If a part is damaged, discontinue use.
- Use only identical replacement parts.
- Use only as described in this manual. **DO NOT** use the 3-in-1 Cleaner for any purpose other than those described in this manual.
- DO NOT** immerse or spray water on the body of the 3-in-1 Cleaner. To clean the surface, wipe with a dry cloth.
- Keep the 3-in-1 Cleaner and the dock's cord out of reach of children. Do not allow the appliance to be used by children. Do not allow to be used as a toy. Close supervision is necessary when used near children.
- This appliance can be used by persons with reduced physical, sensory, or mental capabilities or lack of experience or knowledge if they have been given supervision or instruction concerning use of the appliance in a safe way and understand the hazards involved. Cleaning and user maintenance shall not be done by children.
- DO NOT** handle plug or 3-in-1 Cleaner with wet hands.
- DO NOT** use without the dirty water tank, Clean Solution Tank, filter, brushroll, and brushroll cover in place.
- Only use Shark® branded filters and accessories.
- DO NOT** put any objects into nozzle openings. **DO NOT** use with any opening blocked; keep free of dust, lint, hair, and anything that may reduce airflow.
- DO NOT** use if nozzle airflow is restricted. If the air paths or the motorized floor nozzle become blocked, turn the 3-in-1 Cleaner off. Remove all obstructions before you turn on the unit again.
- Keep nozzle and all 3-in-1 Cleaner openings away from hair, face, fingers, uncovered feet, or loose clothing.
- DO NOT** use if 3-in-1 Cleaner is not working as it should, or has been dropped, damaged, left outdoors, or dropped into water.
- Use extra care when cleaning on stairs.
- DO NOT** leave the 3-in-1 Cleaner unattended while powered on.
- When using on carpet or flooring, always keep the 3-in-1 Cleaner moving over the carpet surface or flooring to avoid damaging the carpet fibers or flooring.
- DO NOT** place 3-in-1 Cleaner on unstable surfaces such as chairs or tables.
- DO NOT** use to pick up:
  - Large objects
  - Hard or sharp objects (nails, screws, or coins)
  - Large quantities of dust (e.g., drywall dust).
  - Smoking or burning objects (hot coals, cigarette butts, or matches)
  - Flammable or combustible materials (lighter fluid, gasoline, or kerosene)
  - Toxic materials (chlorine bleach, ammonia, or drain cleaner)
- DO NOT** use in the following areas:
  - Poorly lit areas
  - Outdoor areas
  - Spaces that are enclosed and may contain explosive or toxic fumes or vapors (lighter fluid, gasoline, kerosene, paint, paint thinners, mothproofing substances, or flammable dust)
- Turn off the 3-in-1 Cleaner before any adjustment, cleaning, maintenance or troubleshooting.
- During cleaning or routine maintenance, **DO NOT** cut anything other than hair, fibers, or string wrapped around the brushroll
- Allow all filters to air dry completely before replacing in the 3-in-1 Cleaner to prevent liquid from being drawn into electric parts.
- DO NOT** modify or attempt to repair the 3-in-1 Cleaner or the battery yourself.
- Use only Shark brand cleaning fluids intended for use with this appliance to prevent internal component damage.

#### BATTERY PACK

- The battery is the power source for the 3-in-1 Cleaner. Carefully read and follow all charging instructions.
- To prevent unintentional starting, ensure the 3-in-1 Cleaner is powered off before picking up or carrying the 3-in-1 Cleaner. **DO NOT** carry the appliance with your finger on the power switch.
- Use only Shark charger XDCKWD200. Use of an incorrect charger may result in no charging, and/or unsafe conditions.
- The battery pack is non-serviceable.
- Under abusive conditions, liquid may be ejected from the battery. Avoid contact with this liquid, as it may cause irritation or burns. If contact occurs, flush with water. If liquid contacts eyes, seek medical help.

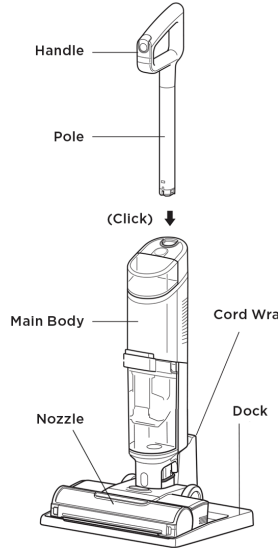
- Battery should not be stored at temperatures below 37.4° F (3° C) or above 104° F (40° C) to maintain long term battery life.
- DO NOT** charge battery at temperatures below 40° F (5° C) or above 104° F (40° C).
- Store the appliance indoors. **DO NOT** use or store it below 37.4° F (3° C). Ensure the appliance is at room temperature before operating.
- DO NOT** expose the battery to fire or temperatures above 265° F (130° C) as it may cause explosion.

#### TECHNICAL SPECIFICATIONS

Voltaje: 21.6V

### SAVE THESE INSTRUCTIONS

#### ASSEMBLY



- Align the **Pole** with the opening in the **Main Body** and insert firmly until it clicks into place.
- Place the **Dock** on the floor near a wall outlet and plug in the cord. Wind the remaining cord around the **Cord Wrap** on the back of the dock.

**NOTE:** When assembling your HydroVac, there may be a little water in or around the water tanks. This is because we test all our HydroVacs before you buy them to ensure the highest quality.

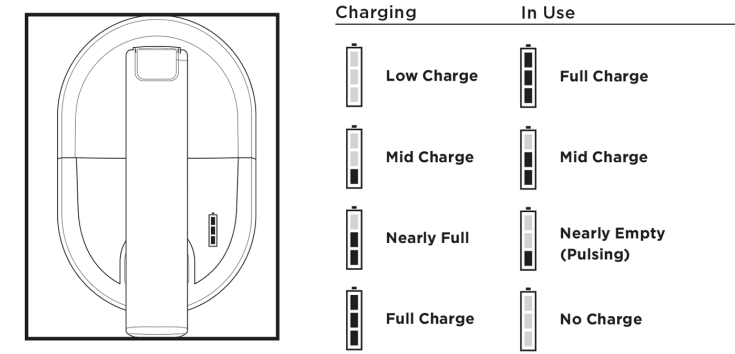
**NOTE:** To remove the handle, press the release button located on the back of the unit with a thin tool while pulling up on the handle.

**NOTE:** Accessories may vary depending on the model.

#### LI-ION BATTERY

Prior to first use, charge the battery completely.

#### LED BATTERY POWER AND CHARGING INDICATOR



**NOTE:** The Shark® battery, like all lithium-ion batteries, will naturally decrease in capacity over time from the 100% capacity of a new battery.

#### USING YOUR 3-IN-1 CLEANER

##### CHARGING ON THE DOCK

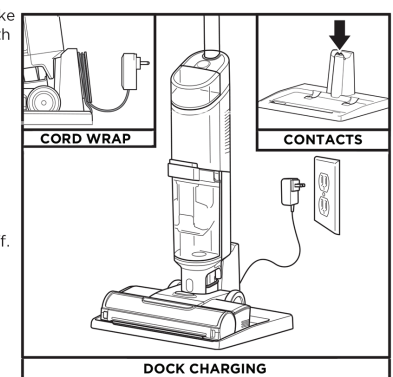
Charge the unit by placing it on the dock. Make sure the contacts on the body are aligned with the contacts on the charging dock.

The **Battery Icon** on the main body will illuminate when charging begins.

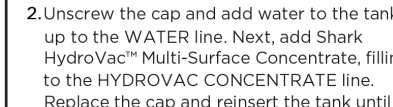
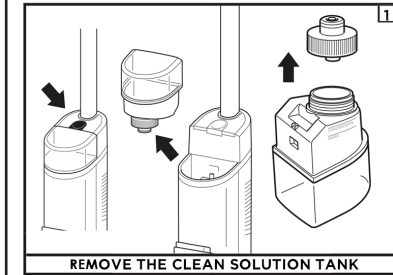
When charging is complete and you need to use the unit again, lift it off the dock.

**NOTE:** When docked properly, the charging lights on the Main Body will blink, indicating that charging has begun. When charging is complete, all three indicator lights will turn off.

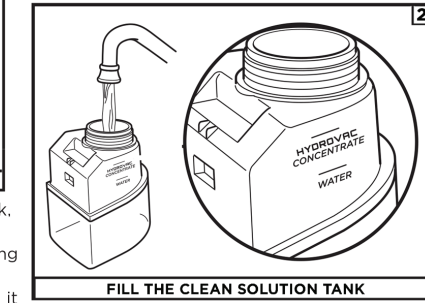
**NOTE:** The main unit comes with a partial charge. For maximum runtime, charge fully before first use. Leaving the unit charging will not damage battery life.



#### FILLING THE CLEAN SOLUTION TANK



- Press the release button and lift off the Clean Solution Tank.



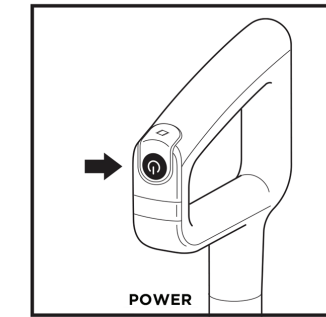
- Unscrew the cap and add water to the tank, up to the WATER line. Next, add Shark HydroVac™ Multi-Surface Concentrate, filling to the HYDROVAC CONCENTRATE line. Replace the cap and reinsert the tank until it clicks into place. The top of the tank should be flush with the top of the body.

**NOTE:** Only use Shark HydroVac Multi-Surface Concentrate, Shark HydroVac Disinfectant, and water with this product.

**NOTE:** Be sure to not overfill the Clean Solution Tank with more HydroVac Multi Surface Concentrate than instructed, as this may cause streaking.

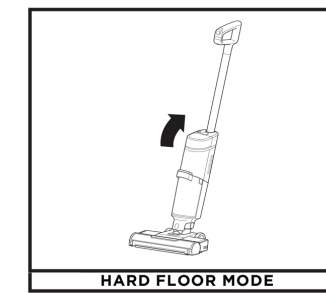
**NOTE:** Without sufficient water supply in the clean solution tank, HydroVac will not run.

#### CONTROLS

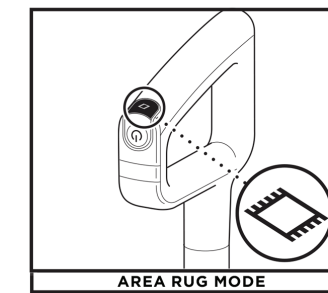


Press and release the **Power** button on the handle to turn on power. To turn off power, press the button again.

#### CLEANING MODES



Use Hard Floor mode for powerful cleaning on bare floors. To activate Hard Floor mode, turn on the unit and tilt the handle back.



To clean area rugs, press the Area Rug icon on top of the handle. The Area Rug light on the main body will illuminate. To turn off Area Rug mode (and to switch back to Hard Floor Mode), press the button again.

**NOTE:** To prevent leakage, **DO NOT** place the main body on the floor. The nozzle should always be kept flat on the floor. **NOTE:** If you encounter a difficult stain, use Area Rug Mode for improved stain cleaning.

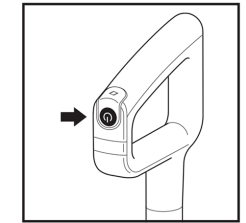
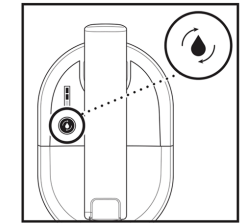
**NOTE:** If you encounter a stubborn odor on your floor or area rug, continue to clean in Area Rug mode until the odor is gone. **NOTE:** If your floors are cloudy, streaky, or spotty after cleaning, it may be due to accumulated soap or grease residue. The floor may require several cleanings with the Hydrovac.

**NOTE:** Accessories may vary depending on the model. Refer to quick guide, if available. The images shown here are for illustrative purposes only and may be subject to change.

#### SELF-CLEAN CYCLE

The self-clean cycle automatically cleans the system and the brushroll.

Recommended after every use



- Place the unit on the charging dock.
- Empty the **Dirty Water Tank** and make sure the clean solution tank is at least half full.
- Press the **Power Button** to start the self-clean cycle. The icon will pulse for the full 2-minute duration of the cycle.
- DO NOT** remove the unit from the dock during the self-clean cycle. The icon will turn off when the cycle is complete.
- Empty the dirty water tank.

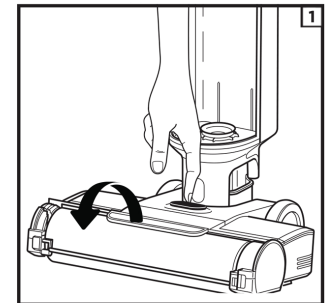
See LED Glossary for more information on indicator lights during self-clean cycle.

**NOTE:** Make sure the clean solution tank is at least half full and that the dirty water tank is empty before running the self-clean cycle.

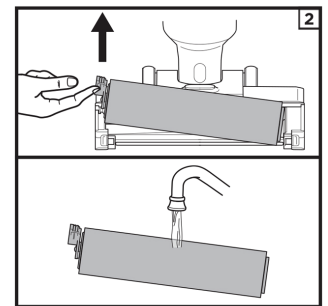
#### MAINTAINING YOUR 3-IN-1 CLEANER

##### MANUALLY CLEANING THE BRUSHROLL

You can clean the brushroll by hand as an alternative to the self-clean cycle, and to remove debris or hair wrapped around the brushroll.



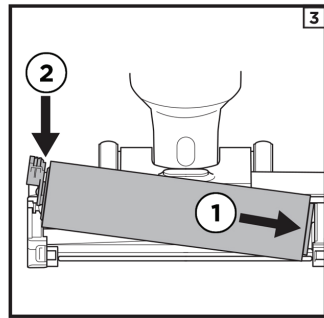
- To access the brushroll, press the button on the top of the nozzle and lift off the brushroll cover.



- Remove the brushroll by pulling up on the pull tab on the left side of the nozzle. Wipe away any debris stuck on the back wall. Wash thoroughly with warm water. Allow the brushroll to air-dry completely in a well-ventilated area for at least 24 hours.

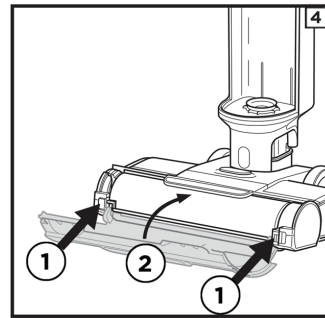
814100018

PRINTED IN MEXICO SC: 02-24-2023\_TAB SHNMDL: WD200\_B  
OBPN: WD200SERIES\_IB\_MP\_MV12\_220603 Elbrd: M. C.



3. Reinsert the brushroll by lining up the grooves on the end of the brushroll with the helix on the inner right side of the nozzle, then press down on the left side of the brushroll. When properly installed, the brushroll tab will be flush with the left side of the nozzle

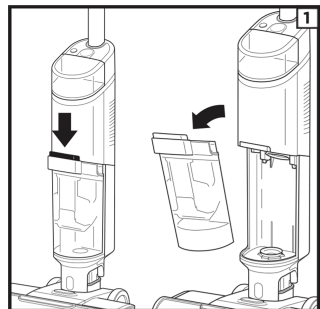
**NOTE:** Do not place brushroll in washing machine or dishwasher. Replace the brushroll after 6 months.



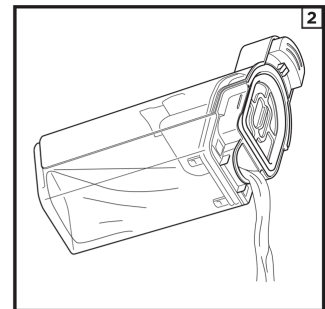
4. To reinstall the brushroll cover, insert the tabs on the cover into the slots on the nozzle. Press down on the cover until it clicks into place.

### MAINTAINING YOUR 3-IN-1 CLEANER

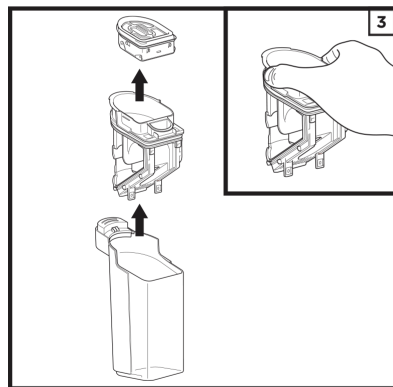
#### CLEANING THE DIRTY WATER TANK



1. To remove the dirty water tank, press the release button and pull out the tank.



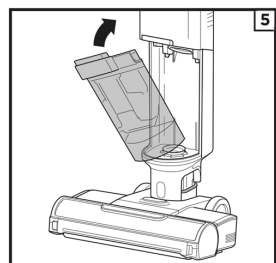
2. To dispose of liquid waste only, pour it out through the Easy Pour spout on the back of the dirty water tank.



3. To dispose of solid debris, lift out the Solids Separator. Grasp the recessed areas on the sides of the separator and lift it out. Empty the solid debris into the trash. If any liquid waste remains in the tank, pour it down a drain. To clean, rinse the separator and the tank with water.

**NOTE:** Replace the filter every 6 Months.

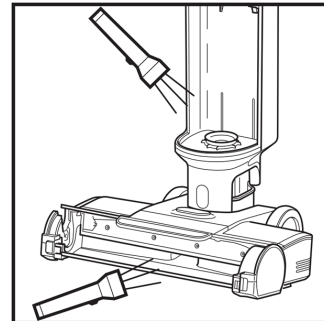
**NOTE:** Do not place dirty water tank in washing machine or dishwasher.



5. After cleaning the dirty water tank and the solids separator, allow them to air-dry in a well-ventilated area for at least 24 hours. To reinstall the tank, insert the bottom into the opening in the main body, then tilt the tank back until it clicks into place.

#### CHECKING FOR BLOCKAGES

If you run over a hard or sharp object or notice a noise change while using your unit, check for blockages or objects caught in the brushroll, nozzle chamber, or inlet hose.



1. Turn off the power.
2. Remove the brushroll cover, brushroll, and dirty water tank.
3. Check the openings and remove all debris.
4. When finished, reinstall the brushroll and the cover.

#### REFURBISHED PRODUCT LIMITED NINETY DAYS WARRANTY

The **Refurbished Product Service Center** offers the following WARRANTY to the ORIGINAL purchaser of a product which we have refurbished.

This product that has been refurbished is warranted against any electronic or mechanical defects for a period of NINETY DAYS from the date of the original purchase by the consumer. Since this unit was sold as a refurbished item, the warranty does not apply to any cosmetic appearance items such as scratches. Should a defect occur, the **Refurbished Product Service Center** will repair or, at its option, replace defective unit/parts with new or rebuilt materials without charge for either parts or labor. Replacement unit/parts will be warranted for the remaining portion of the original warranty period.

This warranty does not cover installation or damage from accident, misuse, abuse, improper wiring, incorrect voltage, operating the unit against the instructions in the owner's manual or any product which has been opened, altered, or tampered with.

This warranty does not cover costs for removal and or installation of the unit for repair. Under no circumstances shall the service center be liable for any special, incidental or consequential damages or for any other expenses incurred by reason of use or sale of this product. This warranty is in lieu of any other warranties expressed or implied warranty of merchantability of fitness for particular use or otherwise.

This warranty gives the consumer specific legal rights and they may also have other rights which vary from State to State. Some States do not follow the exclusion or limitation of incidental or consequential damages, hence the above exclusion and limitations may not apply.

**Refurbished Product Service Center**  
13225 Marquardt Avenue Santa Fe Springs, CA 90670.

#### WARRANTY REPAIR INFORMATION

If you need service on your unit and this product requires repair during the 90 days warranty period; please go to [www.ConsumerServiceRefurbish.com](http://www.ConsumerServiceRefurbish.com) or call the **Refurbished Product Service Center** at 562-946-3531 to obtain the required return authorization (RA) number. Pack the unit properly (the original carton is ideal for this purpose) along with a copy of your purchase receipt and a letter describing the problem. Send the unit freight prepaid and insured to:

**Refurbished Product Service Center,**  
**Att: Customer Service Department 13225 Marquardt Avenue Santa Fe Springs, CA 90670**

Your unit will be promptly repaired and returned to you. We will refuse to accept delivery of the returned unit unless the assigned RA number appears on the outside of the shipping carton.

#### Owner's Information

(Keep for your permanent records)

NAME: \_\_\_\_\_

ADDRESS: \_\_\_\_\_

CITY: \_\_\_\_\_ STATE: \_\_\_\_\_ ZIP CODE: \_\_\_\_\_

PHONE: \_\_\_\_\_ E-MAIL: \_\_\_\_\_

MODEL: \_\_\_\_\_ SERIAL NO.: \_\_\_\_\_



#### PLEASE READ CAREFULLY AND KEEP FOR FUTURE REFERENCE.

This Owner's Guide is designed to help you get a complete understanding of your new Shark HydroVac™ Cordless 3-in-1 Cleaner.

Illustrations may differ from actual product. We are constantly striving to improve our products, therefore the specifications contained herein are subject to change without notice.

This product may be covered by one or more U.S. patents. See [sharkninja.com/patents](http://sharkninja.com/patents) for more information.

© 2022 SharkNinja Operating LLC. SHARK is a registered trademark of SharkNinja Operating LLC. SHARK HYDROVAC is a trademark of SharkNinja Operating LLC. RBRC is a trademark of Rechargeable Battery Recycling Corporation.

#### LED GLOSSARY

SCENARIO	VISUAL	DETAILS
<b>UNIT IS IN USE</b>		
Single battery icon is <b>on</b> .	Solid.	Battery low. Note - you will not be able to run a self-clean cycle.
Self-clean icon is <b>pulsing</b> .	Pulsing	Place unit on dock while self-clean icon is pulsing. Press the power button to run self-clean cycle.
Single battery icon is <b>pulsing</b> .	Pulsing	Battery is close to running out.
Self-clean icon has turned <b>off</b> .	Off	Insufficient battery life to run self-clean cycle after use.
<b>UNIT IS PLACED ON THE DOCK</b>		
Battery icons are pulsing.	Pulsing	Unit is charging.
Self-clean icon is on.	On	There is sufficient battery life to run a self-clean cycle. Press the power button to run a self-clean cycle.
Self-clean icon is off.	Off	There is not sufficient battery life to run self-clean cycle. Wait until self-clean icon turns on to run a self-clean cycle.
Power button is pressed to activate self-clean cycle. Battery icons and self-clean icon flash three times.	Flash x3	Unit is charging. There is not sufficient battery life to run a self-clean cycle. Wait until self-clean icon turns on to run a self-clean cycle.
Power button is pressed to activate self-clean cycle. Self-clean icon is pulsing.	Pulsing	Self-clean cycle is running. Self-clean icon will turn off when cycle is complete. Battery icons will turn on and unit will begin charging.
<b>SELF-CLEAN CYCLE IS IN PROCESS; SELF-CLEAN CYCLE PAUSES</b>		
Self-clean icon is flashing.	Flashing	Clean solution tank is empty. Fill clean solution tank and press the power button to resume self-clean cycle.
Blue water droplet icon is flashing.	Flashing	Dirty water tank is full. Empty dirty water tank and press the power button to resume self-clean cycle.
Self-clean icon is flashing.	Flashing	Dirty water tank is full. Empty dirty water tank and press the power button to resume self-clean cycle.
Red water droplet icon is flashing.	Flashing	Dirty water tank is full. Empty dirty water tank. Press the power button, resume cleaning. *If this is a false error, remove the solids separator and clean completely. Allow part to dry for 24 hours or dry manually.
<b>UNIT IS IN USE; CLEANING FUNCTIONS TURN OFF</b>		
Blue water droplet icon is flashing.	Flashing	Clean solution tank is empty. Fill clean solution tank, press the power button to resume cleaning.
Red water droplet icon is flashing.	Flashing	Dirty water tank is full. Empty dirty water tank. Press the power button, resume cleaning. *If this is a false error, remove the solids separator and clean completely. Allow part to dry for 24 hours or dry manually.
Red water droplet icon is flashing.	Flashing	Brushroll cover has been removed. Attach brushroll cover. Press the power button to resume cleaning.
Red area rug icon is flashing.	Flashing	Brushroll is jammed. Remove brushroll cover and brushroll. Remove any object that may be causing the brushroll to jam. Press the power button resume cleaning.
Red water droplet icon is flashing.	Flashing	Brushroll is jammed. Remove brushroll cover and brushroll. Remove any object that may be causing the brushroll to jam. Press the power button resume cleaning.
Red area rug icon is flashing.	Flashing out of sync	Brushroll is jammed. Remove brushroll cover and brushroll. Remove any object that may be causing the brushroll to jam. Press the power button resume cleaning.

**NOTE:** Accessories may vary depending on the model. Refer to quick guide, if available. The images shown here are for illustrative purposes only and may be subject to change.

# Shark HYDROVAC™

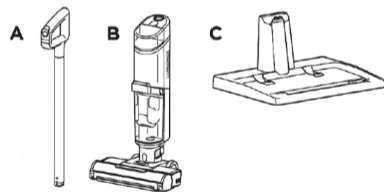
## Corded 3-in-1 Cleaner

### QUICK START GUIDE

Please be sure to read the enclosed Shark® Owner's Guide prior to using your unit.

#### WHAT'S INSIDE

- Ⓐ Handle and Pole
- Ⓑ Main Body
- Ⓒ Charging Dock

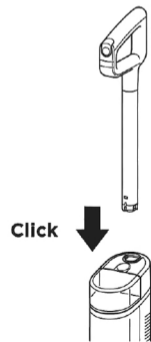


\* Accessories may vary depending on the model.

\* The images shown here are for illustrative purposes only and may be subject to change.

#### ASSEMBLY

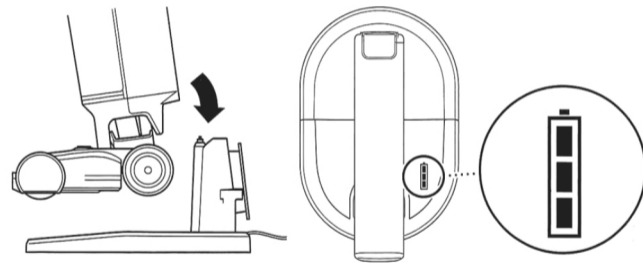
Align the pole with the opening in the Main Body and insert firmly until it clicks into place.



814000018

#### DOCK CHARGING

1. Before first use, charge HydroVac™ for 4 hours.
2. To charge, plug dock into power source, then place HydroVac™ on dock.
3. Battery icon will turn off when unit is fully charged.



814000018



PRINTED IN MEXICO SHNMDL: WD200\_B  
SC: 02-27-2023 Elbrd: M.C. / OBPN: N/A