



Navigator® Anti-Allergen Upright Vacuum

Please read this manual carefully before operating your unit and retain for future reference.

804106743

IMPORTANT SAFETY INSTRUCTIONS FOR HOUSEHOLD USE ONLY

WARNING

To reduce the risk of fire, electric shock, injury, or property damage, when using an electrical appliance, basic precautions should always be followed, including the following:

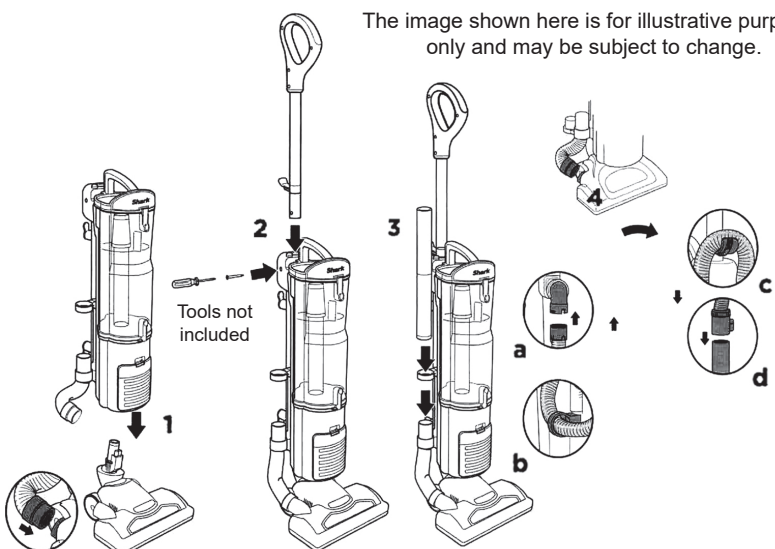
READ ALL INSTRUCTIONS BEFORE USING THIS VACUUM

- Inspect power cord and plug for any damage before use. **DO NOT** use vacuum cleaner with a damaged cord or plug. Turn off all controls before plugging in or unplugging the vacuum cleaner. Store your vacuum cleaner with the power cord secured around the two cord hooks. To minimize the risk of power cord damage, do not allow the motorized brush roll to ingest the cord. If this occurs, immediately shut off power to the vacuum and remove the cord.
- This appliance has a polarized plug, if the plug does not fit fully into the outlet, reverse the plug (one blade is wider than the other). If it still does not fit, contact a qualified electrician. **DO NOT** force into outlet or try to modify to fit.
- Your vacuum cleaner may consist of a motorized nozzle, wand, hose, and/or vacuum pod. This device contains electrical connections, electrical wiring, and moving parts that potentially present risk to the user.
- Use only identical replacement parts.
- Carefully observe and follow the instructions provided below to avoid improper use of the appliance. **DO NOT** use the vacuum for any purpose other than those described in this manual.
- Before use, carefully inspect all parts for any damage. **DO NOT** use if any parts are damaged.
- The use of an extension cord is **NOT** recommended.
- This vacuum cleaner contains no serviceable parts.
- This appliance can be used by persons with reduced physical, sensory or mental capabilities or lack of experience and knowledge if they have been given supervision or instruction concerning use of the appliance in a safe way and understand the hazards involved. Cleaning and user maintenance shall not be made by children. Keep the appliance and its cord out of reach of children. **DO NOT** allow the appliance to be used by children. **DO NOT** allow to be used as a toy. Close supervision is necessary when used near children.
- Always turn off the vacuum cleaner before connecting or disconnecting any motorized nozzles or other accessories.
- DO NOT** handle plug or vacuum cleaner with wet hands.
- DO NOT** use without filters in place.
- Only use Shark® branded filters and accessories.
- DO NOT** damage the power cord:
 - DO NOT** pull or carry vacuum cleaner by the cord or use the cord as a handle.
 - DO NOT** unplug by pulling on cord. Grasp the plug, not the cord.
 - DO NOT** run the vacuum cleaner over the power cord, close a door on the cord, pull the cord around sharp corners, or leave the cord near heated surfaces.
- DO NOT** put any objects into nozzle or accessory openings. **DO NOT** use with any opening blocked; keep free of dust, lint, hair, and anything that may reduce airflow.
- DO NOT** use if nozzle or accessory airflow is restricted. If the air paths or the motorized floor nozzle become blocked, turn the vacuum cleaner off and unplug from electrical outlet. Remove all obstructions before you plug in and turn on the unit again.
- Keep nozzle and all vacuum openings away from hair, face, fingers, uncovered feet, or loose clothing.
- DO NOT** use if vacuum cleaner is not working as it should, or has been dropped, damaged, left outdoors, or dropped into water.
- Use extra care when cleaning on stairs.
- DO NOT** leave the vacuum cleaner unattended while plugged in.
- When powered on, keep the vacuum cleaner moving over the carpet surface at all times to avoid damaging the carpet fibers.
- DO NOT** place vacuum cleaner on unstable surfaces such as chairs or tables.
- Your Shark® vacuum may not be designed to stand up on its own. When taking a break from cleaning, you may need to lean it against furniture or a wall, or lay it flat on the floor. Using the vacuum for an application where the unit lacks stability may result in personal injury.
- DO NOT** use to pick up:
 - Liquids
 - Large objects
 - Hard or sharp objects (glass, nails, screws, or coins)
 - Large quantities of dust (drywall dust, fireplace ash, or embers). **DO NOT** use as an attachment to power tools for dust collection.
 - Smoking or burning objects (hot coals, cigarette butts, or matches)
 - Flammable or combustible materials (lighter fluid, gasoline, or kerosene)
 - Toxic materials (chlorine bleach, ammonia, or drain cleaner)
- DO NOT** use in the following areas:
 - Poorly lit areas
 - Wet or damp surfaces
 - Outdoor areas
 - Spaces that are enclosed and may contain explosive or toxic fumes or vapors (lighter fluid, gasoline, kerosene, paint, paint thinners, mothproofing substances, or flammable dust)
- Turn off all controls before plugging in or unplugging the vacuum.
- Unplug from electrical outlet when not in use and before any maintenance or cleaning.
- Hand wash with water only. Washing with cleaning chemicals could damage the unit.
- During cleaning or routine maintenance, **DO NOT** cut anything other than hair, fibers, or string wrapped around the brushroll.
- Allow all filters to air-dry completely before replacing in the vacuum to prevent liquid from being drawn into electric parts.
- Make sure the dust cup and all filters are in place after routine maintenance.
- If provided, secure the power cord around the two cord hooks during storage.

SAVE THESE INSTRUCTIONS

ASSEMBLY

The image shown here is for illustrative purposes only and may be subject to change.



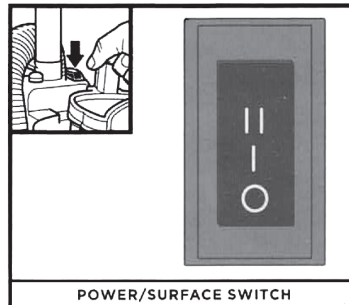
- Place **Vacuum Pod** onto **Floor Nozzle Post** until it clicks into place. With vacuum in the upright position, connect the **Nozzle Hose** from the pod to the **Floor Nozzle**. Push with a slight turning motion to create a snug fit.
- Slide **Handle** into the top of the pod. Align the hose holder on the handle with the cord hooks on the back of the pod. Secure handle assembly in place with included bolt.
- Insert the **Extension Wand** through the ring and into the top of the nozzle hose.
- Attach **Flexible Hose**:
 - Insert hose into **Swivel Connector** until it clicks into place.
 - Route hose through anti-tip hook to prevent vacuum from tipping.
 - Run hose over upper holder.
 - Insert hose securely into top of extension wand.
- You can store cleaning tools on the **Accessory Post** on the back of the pod.

For proper operation, ensure all parts are firmly clicked into place.

NOTE: The hose must be securely attached to the wand to enable section to reach the floor nozzle.
NOTE: Not all accessories come with all units. For a list of the accessories included with this model, see the top inside flap of the box.

WHOLE-HOME CLEANING

SETTINGS



Press the power/surface switch at the top of the pod.

Select surface setting:

O Power Off

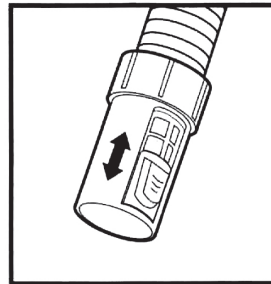
I Bare Floor

For bare floors and small area rugs.

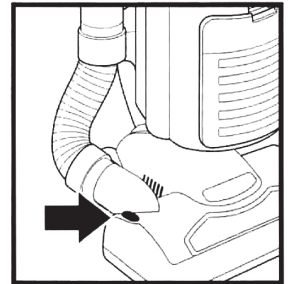
II Carpet

For carpets.

SUCTION CONTROL



BRUSHROLL INDICATOR LIGHT



To reduce suction for increased maneuverability on carpets, slide the suction control button on the end of the hose forward. To increase suction for cleaning bare floors, slide the button back.

WHAT DOES THE BRUSHROLL INDICATOR LIGHT MEAN?

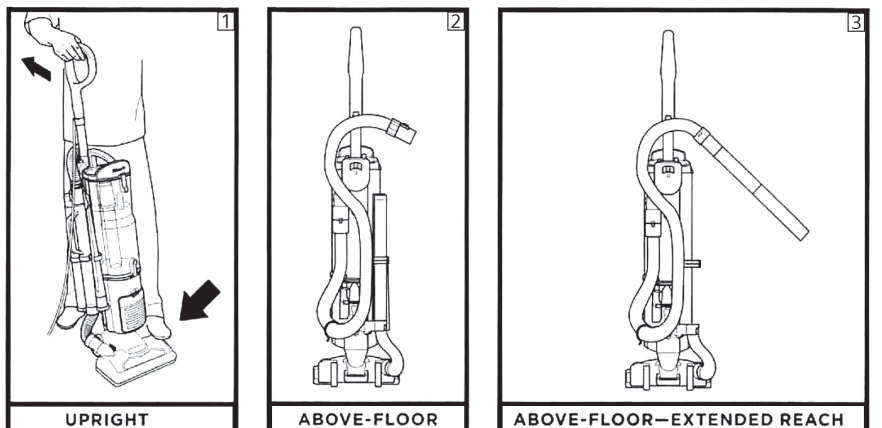
Solid Green: The brushroll is spinning and working as it should.

Solid Red: There is a jam in the brushroll area. Turn off the vacuum and unplug it, then remove any blockages in the nozzle.

No Light: The vacuum is off.

Flashing Red: The motorized floor nozzle is overheating. Turn off the vacuum, unplug it, and remove any blockages. Let the vacuum cool down for at least 60 minutes before restarting. See Troubleshooting section for more information.

CLEANING MODES



1 To engage **Brushroll**, turn power on, then place foot on floor nozzle and tilt handle back.

2 Stand the vacuum upright, and remove the flexible hose from the top of the wand. Add a cleaning tool to the end of the hose.

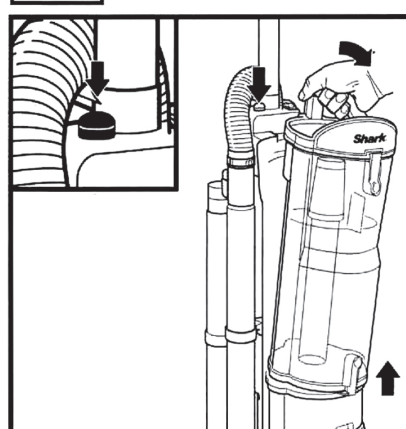
3 To clean with more reach, remove the extension wand from the nozzle hose. Add a cleaning tool to the end of the wand.

NOTE: All accessories are compatible with bolt the wand and the hose.

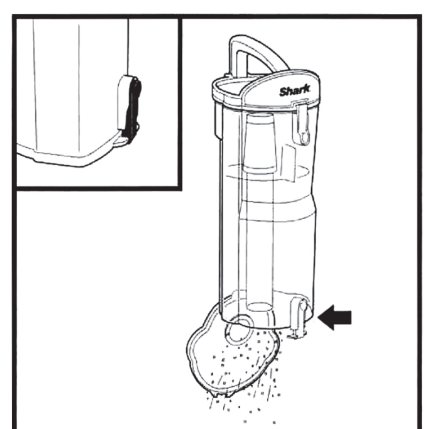
EMPTYING THE DUST CUP



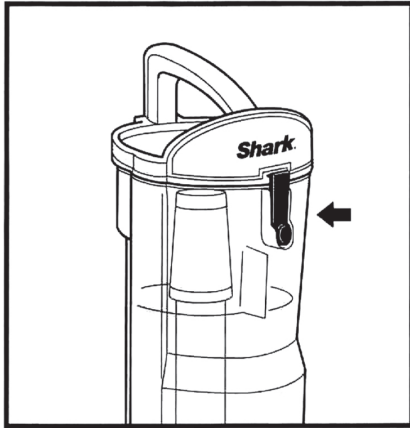
IMPORTANT: Unplug the power cord before performing any maintenance.



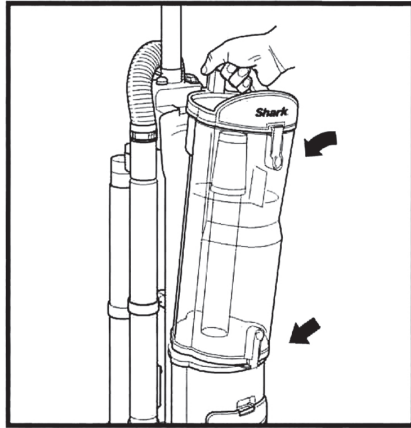
To remove **Dust Cup**, press the **Dust Cup Release** button next to the handle. Tilt dust cup, then lift to remove.



To empty debris into trash, press **Lower Release** button and bottom of dust cup will drop open.



To remove collected debris from **Lint Screen**, press **Top Release** button and lift handle to open. Gently brush lint screen to clean.



To reinstall, place bottom of dust cup into pod and then tilt until it clicks into place.

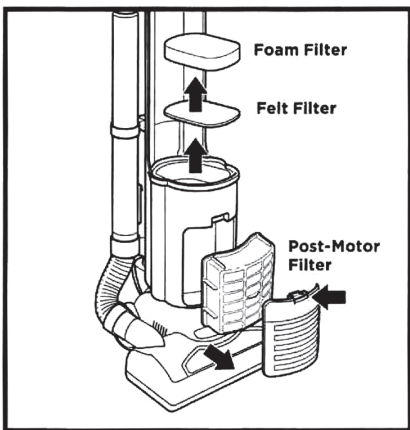
CLEANING AND REPLACING THE FILTERS

CLEANING FILTERS

Regularly rinse and replace the filters to maintain your vacuum's suction power.

To prevent damage from cleaning chemicals, rinse filters with cold water only. Allow all filters to air-dry for at least 24 hours before reinstalling them to prevent liquid from being drawn into electric parts.

IMPORTANT: DO NOT use soap when cleaning the filters.



Pre-Motor (foam and felt):
With the dust cup removed, take out the **Foam and Felt Filters**.

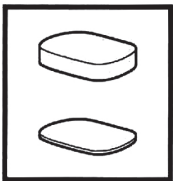
CLEAN PRE-MOTOR FILTERS EVERY 3 MONTHS.

Post-Motor Filter:
To access the **Post-Motor Filter**, press the tab, tilt the **Filter Cover**, and lift it away from the vacuum. Remove the **Post-Motor Filter**.

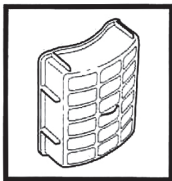
CLEAN POST-MOTOR FILTER EVERY YEAR.

REPLACING FILTERS

Follow the previous instructions for removing filters. The Pre-Motor foam and felt filters should be replaced every 2.5 years. The Post-Motor Filter should be replaced every 3 years.

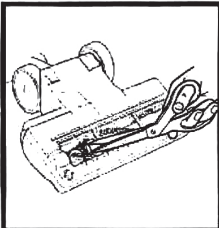


Replacement Pre-Motor Foam & Felt Filter Kit
XFF80



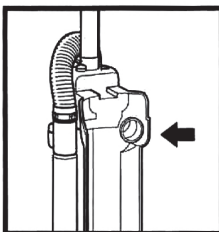
Replacement Post-Motor Filter
XHF80

CLEANING THE BRUSHROLL

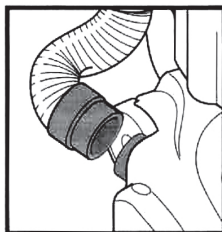


1. Detach the vacuum pod from floor nozzle.
2. Remove any blockages or buildup from the airways in the nozzle. With scissors, carefully cut away any fibers, hair, or string wrapped around the brushroll. Avoid damaging or cutting the bristles.

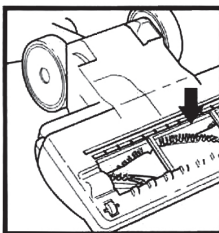
CHECKING FOR BLOCKAGES



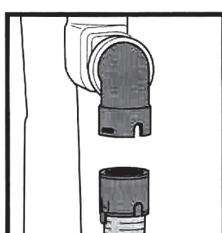
Remove dust cup. Disconnect hose. Check air duct behind dust cup for clogs.



Remove nozzle hose and check for clogs.



Check opening behind the brushroll for clogs and clear away any obstructions.



Remove hose from both the vacuum pod and the extension wand. Inspect the length of the hose for clogs.

Note: The Quick Guide shows the select accessories that are included with your model.

Accessory type and quantity may vary depending on the model. The image shown here is for illustrative purposes only and may be subject to change.

Illustrations may differ from actual product. We are constantly striving to improve our products; therefore the specifications contained herein are subject to change without notice.

NOTE: For proper operation, please ensure that all parts are firmly pressed until CLICKED in place.

TROUBLESHOOTING

Vacuum is not picking up dirt. No suction or light suction.

- Check filters to see if they need cleaning. Follow instructions for rinsing and drying the filters before reinstalling. See Cleaning the Filters for more information.
- Dust cup may be full; empty dust cup.
- Check hoses, hose connections, nozzle, and accessories for blockages; clear blockages if required.
- Slide back the suction control button on the flexible hose to increase suction power.
- If dust cup is empty, and attachment inlets are clear, check for other blockages. See Checking for Blockages for more information.

Vacuum lifts area rugs.

- Suction is powerful. Take care when vacuuming area rugs or rugs with delicately sewn edges. Slide the suction control button on the hose forward to decrease suction power.

Brushroll is jammed or has shut off.

- Immediately turn off and unplug vacuum, disconnect the nozzle, and remove blockage before reconnecting and turning vacuum back on. See Checking for Blockages for more information.

Vacuum turns off on its own or indicator light flashes red.

If your vacuum overheats, the thermostat will automatically turn off the motor. Follow these steps to restart:

1. Turn vacuum off and unplug it.
2. Empty dust cup and clean filters.
3. Check for blockages in hoses, wand, nozzle, accessories, and inlet openings.
4. Allow unit to cool for a minimum of 60 minutes.
5. Plug in vacuum and turn it on.

Note: If vacuum still does not start, contact a service center.

REFURBISHED PRODUCT LIMITED NINETY DAYS WARRANTY

The **Refurbished Product Service Center** offers the following WARRANTY to the ORIGINAL purchaser of a product which we have refurbished.

This product that has been refurbished is warranted against any electronic or mechanical defects for a period of NINETY DAYS from the date of the original purchase by the consumer. Since this unit was sold as a refurbished item, the warranty does not apply to any cosmetic appearance items such as scratches. Should a defect occur, the **Refurbished Product Service Center** will repair or, at its option, replace defective unit/parts with new or rebuilt materials without charge for either parts or labor. Replacement unit/parts will be warranted for the remaining portion of the original warranty period.

This warranty does not cover installation or damage from accident, misuse, abuse, improper wiring, incorrect voltage, operating the unit against the instructions in the owner's manual or any product which has been opened, altered, or tampered with.

This warranty does not cover costs for removal and or installation of the unit for repair. Under no circumstances shall the service center be liable for any special, incidental or consequential damages or for any other expenses incurred by reason of use or sale of this product. This warranty is in lieu of any other warranties expressed or implied warranty of merchantability of fitness for particular use or otherwise.

This warranty gives the consumer specific legal rights and they may also have other rights which vary from State to State. Some States do not follow the exclusion or limitation of incidental or consequential damages, hence the above exclusion and limitations may not apply.

Refurbished Product Service Center
13225 Marquardt Avenue Santa Fe Springs, CA 90670.

WARRANTY REPAIR INFORMATION

If you need service on your unit and this product requires repair during the 90 days warranty period; please go to www.ConsumerServiceRefurbish.com or call the **Refurbished Product Service Center** at 562-946-3531 to obtain the required return authorization (RA) number. Pack the unit properly (the original carton is ideal for this purpose) along with a copy of your purchase receipt and a letter describing the problem. Send the unit freight prepaid and insured to:

Refurbished Product Service Center,
Att: Customer Service Department 13225 Marquardt Avenue Santa Fe Springs, CA 90670

Your unit will be promptly repaired and returned to you. We will refuse to accept delivery of the returned unit unless the assigned RA number appears on the outside of the shipping carton.

Owner's Information
(Keep for your permanent records)

NAME: _____
ADDRESS: _____
CITY: _____ STATE: _____ ZIP CODE: _____
PHONE: _____ E-MAIL: _____
MODEL: _____ SERIAL NO.: _____

PLEASE READ CAREFULLY AND KEEP FOR FUTURE REFERENCE.

This Owner's Guide is designed to help you get a complete understanding of your new Shark Navigator® Anti-Allergen.

SharkNinja Operating LLC

Illustrations may differ from actual product. We are constantly striving to improve our products; therefore the specifications contained herein are subject to change without notice.

For SharkNinja U.S. Patent information, visit sharkninja.com/uspatents

TECHNICAL SPECIFICATIONS

Voltage: 120V- 60Hz

804106743



PRINTED IN MEXICO / SC:19-08-2022 / Elabord: J.E.
OBPN:NV130_IB_E_MP_MV4_210507
SHNMDL:NV141_B / TAB

Please be sure to read the enclosed Shark® Owner's Guide prior to using your unit.

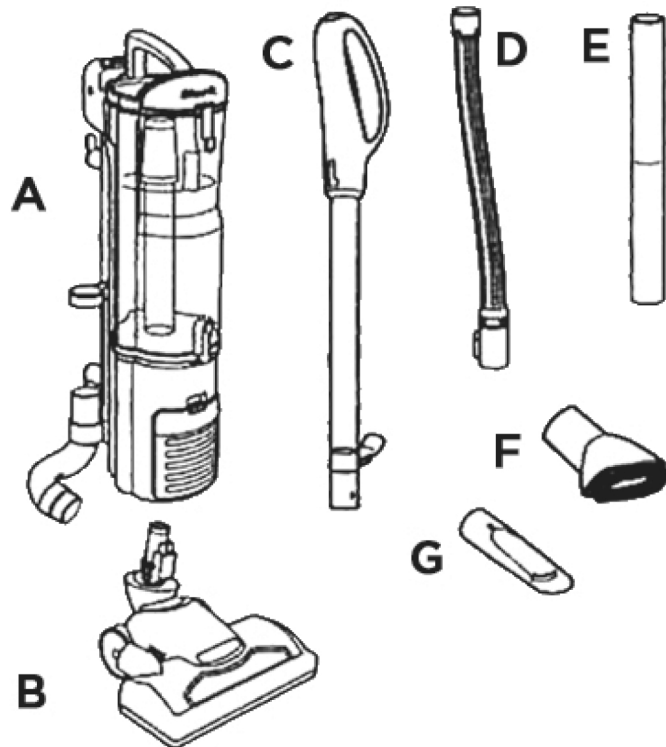
QUICK START GUIDE

WHAT'S INSIDE

- (A) Vacuum Pod
- (B) Floor Nozzle
- (C) Handle
- (D) Flexible Hose
- (E) Extension Wand
- (F) Dustin Brush
- (G) Crevice Tool

Accessory type and quantity may vary depending on the model.

The image shown here is for illustrative purposes only and may be subject to change.



ASSEMBLY

1. Place **Vacuum Pod** onto **Floor Nozzle Post**, and slide it down until it clicks into place. With the vacuum in the upright position, connect the **Nozzle Hose** from the pod to the **Floor Nozzle**. Push with a slight turning motion to create a snug fit.
2. Slide **Handle** into the top of the pod. Use a Phillips-head screwdriver and the included bolt to secure handle in place.
3. Insert the **Extension Wand** through the ring and into the top of the nozzle hose.
4. Attach **Flexible Hose**:
 - a. Insert hose into **Swivel Connector** until it clicks into place.
 - b. Route hose through anti-tip hook to prevent vacuum from tipping.
 - c. Run hose over upper holder.
 - d. Insert hose securely into top of extension wand.

PRINTED IN MEXICO Elbrd: J.E. 0.5P
OBPN: N/A SC: 20-08-2022 MODEL:NV130_B



804006743A