

# Shark Rocket™

## Series INSTRUCTIONS

PLEASE READ CAREFULLY AND KEEP FOR FUTURE REFERENCE.

This Owner's Guide is desing to help you get a complete unertanding of your new Sharrk Rotator Professional Lift-Away.

804108964

### IMPORTANT SAFETY INSTRUCTIONS FOR HOUSEHOLD USE ONLY

#### ⚠ WARNING

To reduce the risk of injury, fire, electric shock, and property damage resulting from improper use of the appliance, carefully observe the following instructions. This unit contains electrical connections and moving parts that potentially present risk to the user.

#### THE MOTORIZED FLOOR NOZZLE, WAND, AND HANDHELD VACUUM CONTAIN ELECTRICAL CONNECTIONS:

- These are not serviceable parts.
- Do not use to vacuum any liquids.
- Do not immerse in water when cleaning.
- If handheld vacuum/wand is damaged, discontinue use.

- 1 Inspect power cord and plug for any damage before use. DO NOT use vacuum cleaner with a damaged cord or plug. Turn off all controls before plugging in or unplugging the vacuum cleaner. Store your vacuum cleaner with the power cord secured around the two cord hooks.

- 2 DO NOT use outdoors or on wet surfaces. Use only on dry surfaces.

- 3 Unplug from electrical outlet when not in use and before servicing.

- 4 If vacuum cleaner is not working as it should, or has been dropped, damaged, left outdoors, or dropped into water, call a service center.

- 5 DO NOT pull or carry vacuum cleaner by the cord or use the cord as a handle.

- 6 DO NOT unplug by pulling on cord. Grasp the plug, not the cord.

- 7 DO NOT handle plug or vacuum cleaner with wet hands.

- 8 DO NOT run the vacuum cleaner over the power cord, close a door on the cord or pull the cord around sharp corners.

- 9 The use of an extension cord is NOT recommended.

- 10 DO NOT leave vacuum cleaner when plugged in.

- 11 Keep cord away from heated surfaces.

#### GENERAL USE

- 12 Use only as described in this manual.

- 13 Keep your work area well lit.

- 14 Keep the vacuum cleaner moving over the carpet surface at all times to avoid damaging the carpet fibers.

- 15 DO NOT place vacuum cleaner on unstable surfaces such as chairs or tables.

- 16 DO NOT put any objects into openings. DO NOT use with any opening blocked; keep free of dust, lint, hair, and anything that may reduce airflow.

- 17 DO NOT allow the appliance to be used by children. Close attention is necessary when used near children. This is not a toy.

- 18 DO NOT use without dust cup and/or filters in place.

- 19 DO NOT use if airflow is restricted. If the air paths or the motorized floor nozzle become blocked, turn the vacuum cleaner off and unplug from electrical outlet. Remove all obstructions before you turn on the unit again.

- 20 Keep nozzle away from hair, face, fingers, uncovered feet, or loose clothing.

- 21 Only use manufacturer's recommended attachments.

#### DUST CUP/FILTERS/ACCESSORIES

Before turning on the vacuum:

- 22 Make sure that all filters are thoroughly dry after routine cleaning.

- 23 Make sure that dust cup and all filters are in place after routine maintenance.

- 24 Make sure accessories are free of blockages and keep openings away from face and body.

- 25 Only use Shark®-brand filters and accessories (failure to do so will void the warranty).

#### GENERAL CLEANING

- 26 DO NOT vacuum up large objects.

- 27 DO NOT vacuum up hard or sharp objects such as glass, nails, screws, or coins that could damage the vacuum cleaner.

- 28 DO NOT vacuum up drywall dust, fireplace ash, or embers. DO NOT use as an attachment to power tools for dust collection.

- 30 DO NOT vacuum up smoking or burning objects such as hot coals, cigarette butts, or matches.

- 31 DO NOT vacuum up flammable or combustible materials (e.g., lighter fluid, gasoline, or kerosene) or use vacuum in areas where they may be present.

- 32 DO NOT vacuum up toxic solutions (e.g., chlorine bleach, ammonia, or drain cleaner).
- 33 DO NOT use in an enclosed space where vapors are present from paint, paint thinner, moth-proofing substances, flammable dust, or other explosive or toxic materials.

- 34 DO NOT vacuum up any liquids.

- 35 DO NOT immerse vacuum cleaner in water or other liquids.

- 36 Use extra care when cleaning on stairs.

#### POLARIZED PLUG

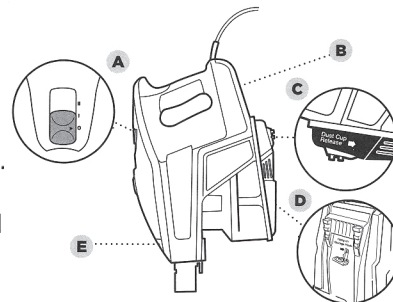
To reduce the risk of electric shock, this vacuum cleaner has a polarized plug (one blade is wider than the other). As a safety feature, this plug will fit into a polarized outlet

only one way. If the plug does not fit fully into the outlet, reverse the plug. If it still does not fit, contact a qualified electrician. DO NOT force into outlet or try to modify to fit.

## GETTING TO KNOW YOUR SHARK® ROCKET® ULTRA-LIGHT UPRIGHT

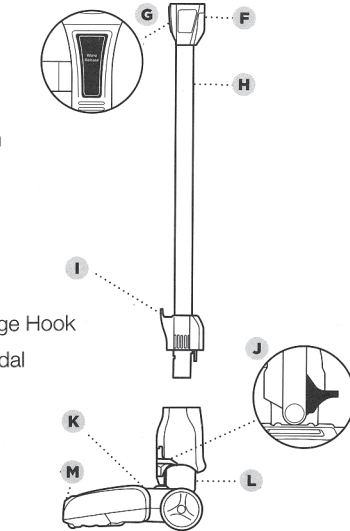
### WELCOME!

Congratulations on your purchase. Use this instruction manual to learn about your new vacuum's great features. From assembly to use to maintenance, you will find it all in here.



### MAIN UNIT

- A Power Switch
- B Handheld Vacuum
- C Dust Cup Release
- D Handheld Vacuum Catch
- E LED Light
- F Cord Hooks (not visible)
- G Wand Release
- H Wand
- I Handheld Vacuum Storage Hook
- J Lower Wand Release Pedal
- K Brushroll Indicator Light
- L Motorized Floor Nozzle
- M Headlights



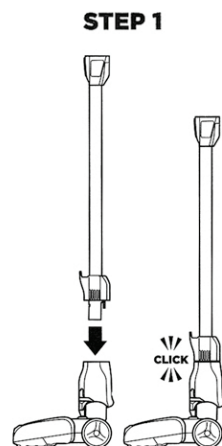
Note: Accessories may vary depending on model.

Note: The Quick Guide shows the select accessories that are included with your model.

## ASSEMBLING YOUR VACUUM

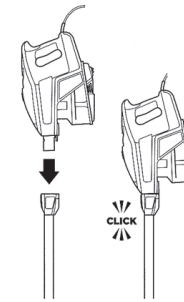
### DID YOU KNOW?

The motorized floor nozzle and handheld vacuum have LED lights that illuminate the floor surface being cleaned. The lights turn on automatically in either speed setting.



- 1 Insert the wand into the motorized floor nozzle connector until you hear a click.

### STEP 2



Note: Accessories may vary depending on model.

- 2 Insert the handheld vacuum into the top of the wand until you hear a click.

## USING THE MOTORIZED FLOOR NOZZLE

- ⚠ **WARNING:** This vacuum does not stand up on its own, so when taking a break from cleaning, rest it against a piece of furniture or a wall, or lay it flat on the floor. Using for an application where the unit lacks stability may result in personal injury.

- ⚠ **NOTE:** Before vacuuming your delicate area rugs or carpet, refer to the manufacturer's recommended cleaning instructions.

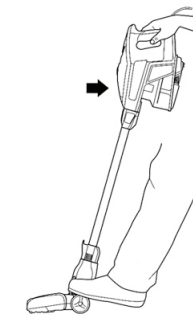
### WHAT DOES THE BRUSHROLL INDICATOR LIGHT MEAN?

#### Solid Green

The brushroll is on and working as it should.

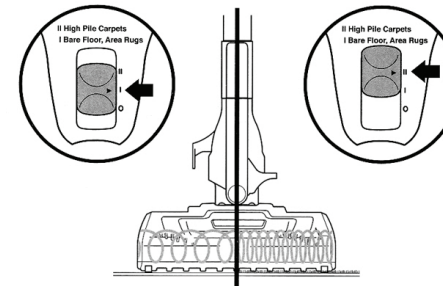
#### Solid Red

There is a jam in the brushroll area. Turn your vacuum off and remove the blockage.



- 1 Plug the unit in and recline the wand.

## CHOOSING THE APPROPRIATE SETTING



The Rocket® Ultra-Light has a 2-speed Power slider switch on the handle. Slide the Power switch to appropriate speed setting (I or II) and start cleaning.

**Bare Floor, Area Rugs (I)** – The brushroll spins slowly to clean bare floors and delicate area rugs.

**High Pile Carpets (II)** – The brushroll spins faster to pick up debris below the surface of your carpets.

**NOTE:** For deep cleaning per ASTM F 608 (embedded dirt in carpets) please set to High Pile Carpets (II).

### TECHNICAL SPECIFICATIONS

Voltage: 120V, 60Hz  
Amps: 4.2A

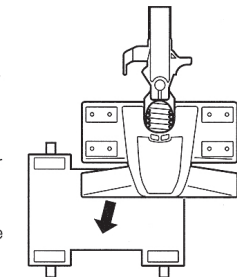
## USING THE DUST-AWAY™ HARD FLOOR ATTACHMENT

- ★ **IMPORTANT:** Do not use the Dust-Away Hard Floor Attachment without the Microfiber Pad.

- ⚠ **NOTE:** Both power settings provide the same suction power.

- ⚠ **TIP:** You can attach the handheld vacuum directly to the motorized floor nozzle for convenient stair cleaning.

### STEP 1



### MICROFIBER PAD CARE

Machine or hand wash the pads separately in warm water with liquid detergent.

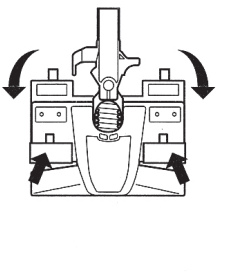
Do not use bleach or fabric softeners as they may damage the pads or leave a coating that will reduce their cleaning performance.

Tumble dry low or line dry to extend the life of the microfiber fabric.

For the best results, replace your microfiber pads every 3 to 4 months.

- 1 Slip two tabs between the nozzle and the cluster base and attach them to the front fasteners.

### STEP 2



- 2 Pull the other two tabs tightly around to the back fasteners. Ensure the pad is flat against the bottom surface and tightly secured. Slide the power switch to either setting to clean hard floors. Do not use to clean damp floors or wet/sticky messes. Use only pads provided by Shark.

## USING YOUR VACUUM IN ABOVE-FLOOR MODE

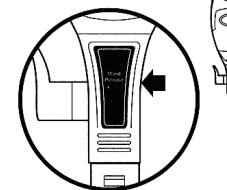
### STEP 1



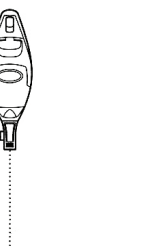
### STEP 2



### STEP 1



### STEP 2



### FOR LONG-REACH CLEANING

- 1 Stand the vacuum upright. Step on the foot pedal and pull the wand up to disconnect it from the motorized floor nozzle.
- 2 Attach desired cleaning accessory.

### FOR SHORT-REACH CLEANING

- 1 Press the Wand Release button on the top of the wand to disconnect it from the motorized floor nozzle.
- 2 Attach desired cleaning accessory. The LED light on the handheld vacuum turns on automatically when the power is on.

Note: Accessories may vary depending on model.

Note: The Quick Guide shows the select accessories that are included with your model.

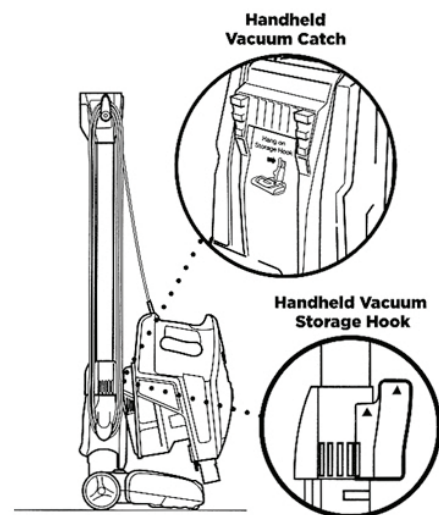
## SAVE THESE INSTRUCTIONS

PLEASE READ CAREFULLY BEFORE USE



# STORAGE

## OPTION 1



**1** Press the Wand Release button on the top of the wand to release the handheld vacuum. There is a catch on the bottom of the handheld vacuum. Hang it from the hook located on the bottom portion of the wand. Wrap the cord around the two cord hooks.

Note: The images shown here are representative only and may vary.

## MAINTAINING YOUR VACUUM

**WARNING:** Hand wash filters with water only to prevent damage from cleaning chemicals. Allow ALL filters to dry completely before replacing in the vacuum to prevent liquid from being drawn into electric parts.

**CAUTION:** Turn power off and unplug before servicing.

**IMPORTANT:** Clean the dust screen inside the dust cup as required.

**NOTE:** Empty dust cup when debris reaches the MAX fill line.

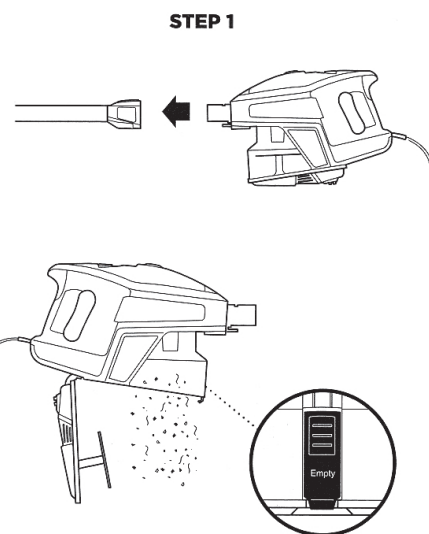
### RECOMMENDED FILTER CLEANING SCHEDULE:

**Pre-Motor Filter Kit**  
(Foam & Felt)  
1080FTV320  
Clean once a month.

**Post-Motor Filter**  
1084FTV320  
Clean once a year.

SharkNinja Operating LLC  
US: Newton, MA 02459  
CAN: Ville St-Laurent, QC H4S 1A7

Illustrations may differ from actual product.  
Shark and Rocket are registered trademarks of SharkNinja Operating LLC.  
For SharkNinja U.S. Patent information, visit [sharkninja.com/USPatents](http://sharkninja.com/USPatents).

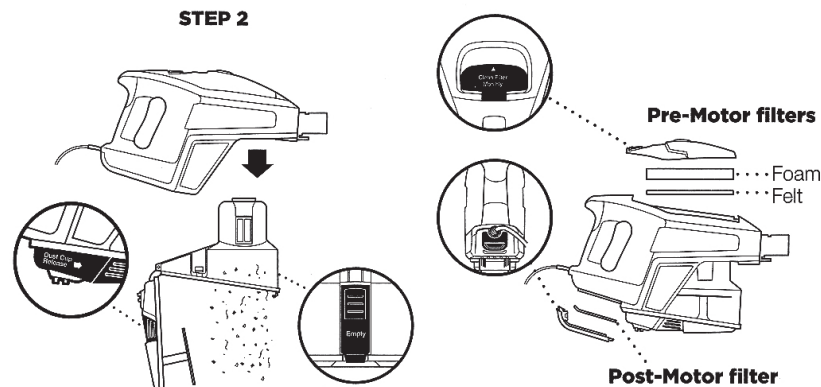


### EMPTYING THE DUST CUP

**1** Press the Wand Release button on the top of the wand to disconnect it from the handheld vacuum.

OR

Remove the dust cup from the handheld vacuum by squeezing the two Dust Cup Release buttons on both sides of the base at the same time and pulling it out.



### CLEANING THE FILTERS

- Hold dust cup over a trash bin and press the Empty button on the front of the dust cup. The bottom lid will open, allowing the debris to fall out.
- Once dust cup is empty, close the bottom lid and insert dust cup back into handheld vacuum until you hear it click into place.
- Access the Pre-Motor foam and felt filters by lifting the latch on the top of the handheld vacuum. Remove and rinse the filters with water. Tap loose dirt off filters between washes as needed. Once completely dry, insert the felt filter first, then place the foam filter on top of it.
- Access the Post-Motor filter under the handle. Remove and rinse the filter with water.

## MAINTAINING YOUR VACUUM

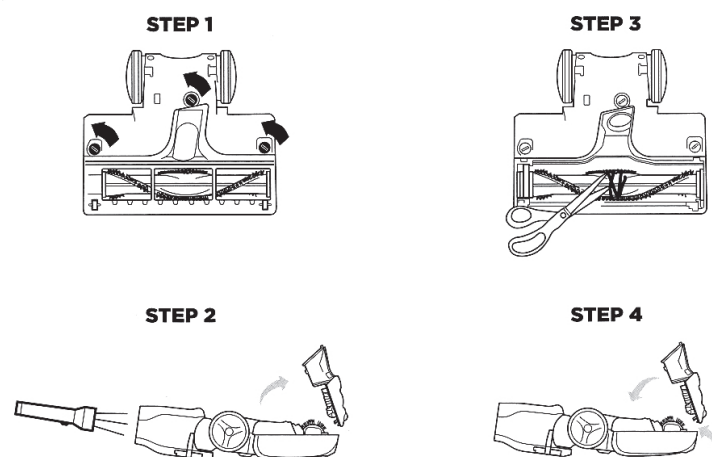
**WARNING:** Do not cut anything but the hair, fibers or string that is on the brushroll.

**TIP:** Ensure the bottom of the floor nozzle is completely sealed and locked before using.

**TIP:** You do not need any tools to open the floor nozzle—just a coin.

### CHECKING FOR BLOCKAGES: HANDHELD AND WAND

- Remove the wand from the handheld portion and check all dust cup intake openings.
- Remove the floor nozzle from the wand and check the wand for blockages.



### BOTTOM OF FLOOR NOZZLE

- Use a coin to unlock the three locks on the bottom of the floor nozzle.
- A portion of the base is removable to allow for better access to the brushroll and exposure to the airway. Shine a flashlight from the bottom to check for possible blockages in the airway.
- Remove any string, carpet fibers, or hair that may be wrapped around the brushroll. There is a groove along the brushroll that allows a pair of scissors to cut across it to loosen up debris.
- To re-assemble, replace base by lining it up along the front of the nozzle. Push down to snap into place until you hear a click. Lock the three locks.

## TROUBLESHOOTING GUIDE

**WARNING:** To reduce the risk of shock and unintended operation, turn power off and unplug unit before servicing.

**Vacuum is not picking up debris. No suction or light suction.**  
(Refer to Maintenance section for more information.)

- Check filters to see if they need cleaning. Follow instructions for rinsing and completely air-drying the filters before reinserting in the vacuum.
- Dust cup may be full; empty dust cup.
- Check floor nozzle for blockages; clear blockages if required.
- Remove any string, carpet fibers, or hair that may be wrapped around the brushroll.

**Vacuum lifts area rugs.**

- Suction is powerful. Take care when vacuuming area rugs or rugs with delicately sewn edges.
- Turn off the unit to disengage the brushroll and restart with the Power slider switch.

**Brushroll does not spin.**

- If Brushroll Indicator Light on the floor nozzle turns red, the brushroll has stopped spinning. Immediately turn off and unplug vacuum and remove blockage. Re-plug the unit into an electrical outlet and turn vacuum on.
- If Brushroll Indicator Light on the floor nozzle is green, the blockage has been successfully cleared. If the light is still red, please contact a service center.

**Vacuum turns off on its own.**

This vacuum is equipped with a motor-protective thermostat so the vacuum will shut off if it overheats. Should this occur, perform the following steps to restart the motor-protective thermostat:

- Turn vacuum off and unplug it.
- Empty dust cup and clean filters (see Maintenance section).
- Check for blockages in hose, accessories, and inlet openings.
- Allow unit to cool for a minimum of 45 minutes.
- Plug in vacuum and turn it on.

### REFURBISHED PRODUCT LIMITED NINETY DAYS WARRANTY

The **Refurbished Product Service Center** offers the following WARRANTY to the ORIGINAL purchaser of a product which we have refurbished.

This product that has been refurbished is warranted against any electronic or mechanical defects for a period of NINETY DAYS from the date of the original purchase by the consumer. Since this unit was sold as a refurbished item, the warranty does not apply to any cosmetic appearance items such as scratches. Should a defect occur, the **Refurbished Product Service Center** will repair or, at its option, replace defective unit/parts with new or rebuilt materials without charge for either parts or labor. Replacement unit/parts will be warranted for the remaining portion of the original warranty period.

This warranty does not cover installation or damage from accident, misuse, abuse, improper wiring, incorrect voltage, operating the unit against the instructions in the owner's manual or any product which has been opened, altered, or tampered with.

This warranty does not cover costs for removal and or installation of the unit for repair. Under no circumstances shall the service center be liable for any special, incidental or consequential damages or for any other expenses incurred by reason of use or sale of this product. This warranty is in lieu of any other warranties expressed or implied warranty of merchantability of fitness for particular use or otherwise.

This warranty gives the consumer specific legal rights and they may also have other rights which vary from State to State. Some States do not follow the exclusion or limitation of incidental or consequential damages, hence the above exclusion and limitations may not apply.

**Refurbished Product Service Center**  
13225 Marquardt Avenue Santa Fe Springs, CA 90670.

804108964



W

### WARRANTY REPAIR INFORMATION

If you need service on your unit and this product requires repair during the 90 days warranty period; please go to [www.ConsumerServiceRefurbish.com](http://www.ConsumerServiceRefurbish.com) or call the **Refurbished Product Service Center** at 562-946-3531 to obtain the required return authorization (RA) number. Pack the unit properly (the original carton is ideal for this purpose) along with a copy of your purchase receipt and a letter describing the problem. Send the unit freight prepaid and insured to:

**Refurbished Product Service Center,**  
Attn: Customer Service Department 13225 Marquardt Avenue Santa Fe Springs, CA 90670

Your unit will be promptly repaired and returned to you. We will refuse to accept delivery of the returned unit unless the assigned RA number appears on the outside of the shipping carton.

### Owner's Information

(Keep for your permanent records)

NAME: \_\_\_\_\_

ADDRESS: \_\_\_\_\_

CITY: \_\_\_\_\_ STATE: \_\_\_\_\_ ZIP CODE: \_\_\_\_\_

PHONE: \_\_\_\_\_ E-MAIL: \_\_\_\_\_

MODEL: \_\_\_\_\_

SERIAL NO.: \_\_\_\_\_

Printed in Mexico / Sc: 08.06.2018 / 06-05-2021 / Pgs.: TAB  
Re-Desing / Shnmdl: UV422\_B / Obpn:UV422\_Series\_E\_IB\_160622