

IMPORTANT SAFETY INSTRUCTIONS

KEEP AWAY FROM WATER

DANGER—As with most electrical appliances, electrical parts are electrically live even when the switch is off:

To reduce the risk of death by electric shock:

1. Always unplug the unit immediately after using.
2. Do not use while bathing.
3. Do not place or store appliance where it can fall or be pulled into a tub or sink.
4. Do not place in or drop into water or other liquid.
5. If an appliance falls into water, unplug the unit immediately. Do not reach into the water.

WARNING—To reduce the risk of burns, electrocution, fire, or injury to persons:

1. An appliance should never be left unattended when plugged in.
2. Close supervision is necessary when this appliance is used by, on, or near children or individuals with certain disabilities.
3. Use this appliance only for its intended use as described in this manual. Do not use attachments not recommended by the manufacturer.
4. Never operate this appliance if it has a damaged cord or plug, if it is not working properly, or if it has been dropped, damaged, or dropped into water.

5. Keep the cord away from heated surfaces. Do not wrap the cord around the appliance.
6. Never block the air openings of the appliance or place it on a soft surface, such as a bed or couch, where the air openings may be blocked. Keep the air openings free of lint, hair, and the like.
7. Never use while sleeping.
8. Never drop or insert any object into any opening or hose.
9. Do not use outdoors or operate where aerosol (spray) products are being used or where oxygen is being administered.
10. Do not use an extension cord with this appliance.
11. Do not direct hot air toward eyes or other heat-sensitive areas.
12. Attachments may be hot during use. Allow them to cool before handling.
13. Do not place appliance on any surface while it is operating.
14. While using the appliance, keep your hair away from the air inlets.
15. Do not operate with a voltage converter.

SAVE THESE INSTRUCTIONS

REFURBISHED PRODUCT LIMITED NINETY DAYS WARRANTY

The **Refurbished Product Service Center** offers the following WARRANTY to the ORIGINAL purchaser of a product which we have refurbished.

This product that has been refurbished is warranted against any electronic or mechanical defects for a period of NINETY DAYS from the date of the original purchase by the consumer. Since this unit was sold as a refurbished item, the warranty does not apply to any cosmetic appearance items such as scratches. Should a defect occur, the **Refurbished Product Service Center** will repair or, at its option, replace defective unit/parts with new or rebuilt materials without charge for either parts or labor. Replacement unit/parts will be warranted for the remaining portion of the original warranty period.

This warranty does not cover installation or damage from accident, misuse, abuse, improper wiring, incorrect voltage, operating the unit against the instructions in the owner's manual or any product which has been opened, altered, or tampered with.

This warranty does not cover costs for removal and or installation of the unit for repair. Under no circumstances shall the service center be liable for any special, incidental or consequential damages or for any other expenses incurred by reason of use or sale of this product. This warranty is in lieu of any other warranties expressed or implied warranty of merchantability of fitness for particular use or otherwise.

This warranty gives the consumer specific legal rights and they may also have other rights which vary from State to State. Some States do not follow the exclusion or limitation of incidental or consequential damages, hence the above exclusion and limitations may not apply.

Refurbished Product Service Center
13225 Marquardt Avenue Santa Fe Springs, CA 90670.

WARRANTY REPAIR INFORMATION

If you need service on your unit and this product requires repair during the 90 days warranty period; please go to www.ConsumerServiceRefurbish.com or call the **Refurbished Product Service Center** at 562-946-3531 to obtain the required return authorization (RA) number. Pack the unit properly (the original carton is ideal for this purpose) along with a copy of your purchase receipt and a letter describing the problem. Send the unit freight prepaid and insured to:

Refurbished Product Service Center,
Att: Customer Service Department 13225 Marquardt Avenue Santa Fe Springs, CA 90670

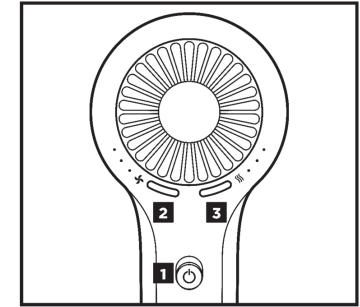
Your unit will be promptly repaired and returned to you. We will refuse to accept delivery of the returned unit unless the assigned RA number appears on the outside of the shipping carton.

Owner's Information (Keep for your permanent records)

NAME: _____
 ADDRESS: _____
 CITY: _____ STATE: _____ ZIP CODE: _____
 PHONE: _____ E-MAIL: _____
 MODEL: _____ SERIAL NO.: _____

OPERATING INSTRUCTIONS

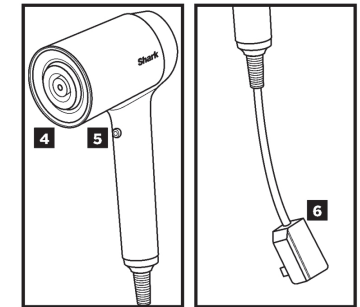
1. Turn the dryer on and off.
2. Adjust the airflow, pressing the left-hand button allows you to choose a low, medium, or high airflow.
3. Adjust the temperature. Pressing the right-hand button allows you to choose a low, medium, or high temperature.
4. To attach any accessories included with your model, press them into place on the front of the dryer. You will know they are properly attached if the IQ logo on the back of the dryer illuminates when the dryer is turned on.
5. Press and hold the Cool Shot button for a cool burst of air to set your style.
6. Press the ALCI button to reset the dryer. See Troubleshooting & Error Codes for more information.



For further operating instructions, please consult the Styling Guide

Storage, Cord Safety, and Maintenance/Cleaning:

- Ensure the cord is not knotted, twisted, or wrapped around any nearby objects when in use.
- To store the dryer when not in use, wrap the cord in a circle and use the Velcro cord tag to secure the cord in place.
- Use the Small Cleaning Brush included in the box at purchase as needed.



Accessory type and quantity may vary depending on the model.



TROUBLESHOOTING & ERROR CODES

MAINTENANCE/CLEANING

Reduction in Airflow or Overheating

A change in airflow or air power, airflow blockages, overheating, and/or visible buildup on the back of the unit indicates your hair dryer needs to be cleaned. We recommend using the Small Cleaning Brush included with your purchase to clean off the back of the hair dryer.

ALCI OPERATION

Electricity flickers or trips circuit breaker during use.

This dryer is equipped with an Appliance Leakage Circuit Interrupter (ALCI), a safety feature that renders it inoperable under abnormal conditions. Should the dryer turn off in use, press the red Reset button on the plug and the dryer should function normally. If the dryer does not reset, please check your circuit breaker. If the issue persists, ensure there are no other appliances plugged in within the room where the dryer is being used. Do not use the dryer with a power strip.

OVERHEATING

Hair dryer is overheating or shuts off.

This unit is equipped with a temperature-protective thermostat. If for some reason your hair dryer overheats, the thermostat will automatically turn the unit off. To prevent power-down recurrence, unplug the hair dryer and set it aside to cool, or cool down using the cool shot button during use. Overheating may result if the unit is powered on for a long duration, or can indicate a blockage or dust buildup. We recommend using the Small Cleaning Brush included with your purchase to clean off the back of your unit. If overheating continues to occur, contact a service center.

Illustrations may differ from actual product. We are constantly striving to improve our products; therefore the specifications contained herein are subject to change without notice.

Note: The Quick Guide shows the select accessories that are included with your model.

The image shown here is for illustrative purposes only and may be subject to change.

804106767



W

PRINTED IN MEXICO / SC:18-05-2022
SHNMDL:HD100_B / 1P / Elbrd:J.E.

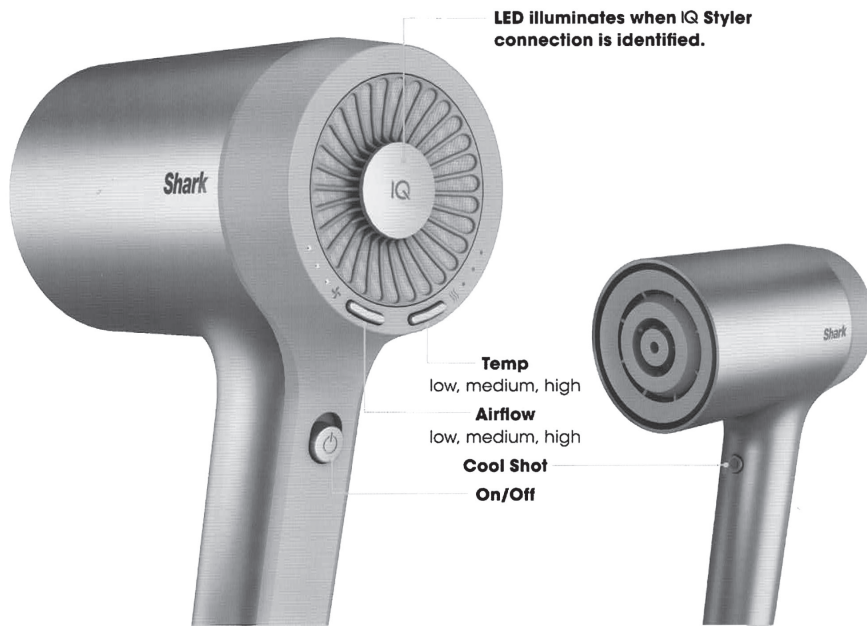
OBPN: HD100_Series_Warning_Insert_E_F_S_MP_Mv5_210831

SHARK™ HyperAIR

Please read this guide carefully before operating your unit and retain for future reference.

804006767C

How it works



TIP: Press and hold **Cool Shot** as desired to lock in your style. All 3 red temp lights will be OFF when **Cool Shot** is engaged.

What's in the box?



Shark™ HyperAir Dryer 1

IQ Stylers

IQ Styling Concentrator: Fast drying and smoothing 2

Not all accessories are included with this model.

Note: Accessories may vary.

STYLING WITH THE SYSTEM

When styling with IQ Stylers, Shark™ HyperAir intelligently sets heat and airflow for faster, healthier styling.

HyperAir Dryer
high airflow, medium temp

✂ air ● ● ●

🌀 temp ● ● ○

IQ Styling Concentrator
high airflow, high temp

✂ air ● ● ●

🌀 temp ● ● ●



Did you know? You can adjust our recommended IQ temperature or airflow settings to experiment with different results or to follow your normal routine.

