

SONY

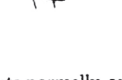
BRAVIA

Read this owner's manual thoroughly before operating the appliance and keep it handy for reference at all times.

804106843

Important Safety Instructions

- 1) Read these instructions.
- 2) Keep these instructions.
- 3) Heed all warnings.
- 4) Follow all instructions.
- 5) Do not use this apparatus near water.
- 6) Clean only with dry cloth.
- 7) Do not block any ventilation openings. Install in accordance with the manufacturer's instructions.
- 8) Do not install near any heat sources such as radiators, heat registers, stoves, or other apparatus (including amplifiers) that produce heat.
- 9) Do not defeat the safety purpose of the polarized or grounding-type plug. A polarized plug has two blades with one wider than the other. A grounding type plug has two blades and a third grounding prong. The wide blade or the third prong are provided for your safety. If the provided plug does not fit into your outlet, consult an electrician for replacement of the obsolete outlet.
- 10) Protect the power cord from being walked on or pinched particularly at plugs, convenience receptacles, and the point where they exit from the apparatus.
- 11) Only use attachments/accessories specified by the manufacturer.
- 12) Use only with the cart, stand, tripod, bracket, or table specified by the manufacturer, or sold with the apparatus. When a cart is used, use caution when moving the cart/apparatus combination to avoid injury from tip-over.
- 13) Unplug this apparatus during lightning storms or when unused for long periods of time.
- 14) Refer all servicing to qualified service personnel. Servicing is required when the apparatus has been damaged in any way, such as power-supply cord or plug is damaged, liquid has been spilled or objects have fallen into the apparatus, the apparatus has been exposed to rain or moisture, does not operate normally, or has been dropped.



Please observe the Additional Safety DOs and DON'Ts to avoid electric shock, short-circuit, fire, bodily injury or property damage.

Internet security caution

It is strongly recommended for security purposes to connect your TV to the Internet via a router/modem that includes router functionality. Direct connection of your TV to the Internet may expose your TV to a security threat such as extraction or tampering of content or personal information.

WARNING

To reduce the risk of fire or electric shock, do not expose this product to rain or moisture. The product must never be exposed to dripping, splashing, or spilling liquids of any kind.



This symbol is intended to alert the user to the presence of uninsulated "dangerous voltage" within the product enclosure that may be of sufficient magnitude to constitute a risk of electric shock to persons.



This symbol is intended to alert the user to the presence of important operating and maintenance (servicing) instructions in the literature accompanying the product.



Danger of explosion if battery is incorrectly replaced. Replace only with the same or equivalent type.

CAUTION

To prevent electric shock and blade exposure, do not use this AC plug with an extension cord, receptacle or other outlet unless the blades can be fully inserted.

□ Operate the TV only on 110 V - 240 V AC (U.S.A. 120 V AC).

□ Operate the TV only on DC 19.5 or 24 V (For model with supplied AC adapter)*.

* Refer to the Reference Guide to know the exact value.

How to care for your BRAVIA TV

Safety is very important. Unplug the TV and other connected equipment from the wall outlet before you begin cleaning your TV. The TV should also be placed on a stable surface to prevent it from toppling over (refer to Reference Guide). If you have young children or pets at home, check regularly to ensure the TV is securely fastened.

CLEANING

When cleaning, be sure to unplug the power cord to avoid any chance of electric shock.
□ Clean the cabinet of the TV with a dry soft cloth.
□ Wipe the screen gently with a soft cloth.

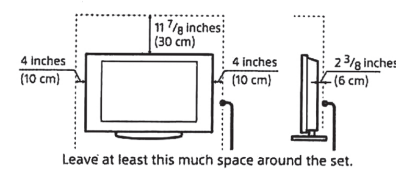
- Stubborn stains may be removed with a cloth slightly moistened with a solution of mild soap and warm water.
- Do not spray water or detergent directly on the TV set. It may drip to the bottom of the screen or exterior parts, and may cause a malfunction.
- If using a chemically pretreated cloth, please follow the instruction provided on the package.
- Never use strong solvents such as a thinner, alcohol or benzine for cleaning.
- Do not plug in the TV into the wall outlet until the moisture from cleaning has evaporated.
- Periodic vacuuming of the ventilation openings is recommended to ensure to proper ventilation.

Installing the TV against a wall or enclosed area*

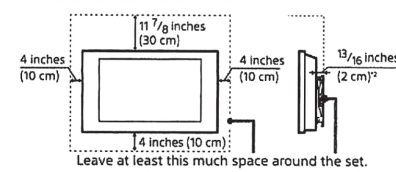
Ventilation

- Never cover the ventilation holes or insert anything into the cabinet.
- Leave space around the TV set as shown below.

Installed with stand

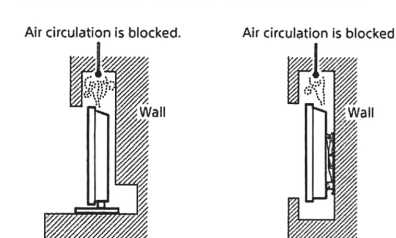


Installed on the wall



*2 13/32 inches (1 cm) for SU-WL8xx only. Refer Reference Guide to know whether your TV is compatible with this Wall-Mount Bracket.

Never install the tv set as follows:



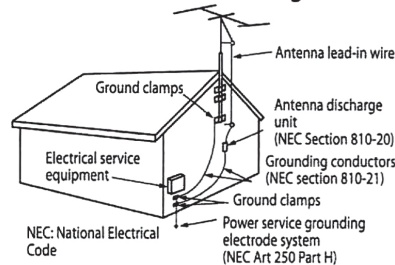
Note

- Inadequate ventilation can lead to overheating of the TV and may cause damage to your TV or cause a fire.
- * The ventilation condition is depending on your TV model. If this ventilation information is described in both Reference Guide and safety documentation (Safety Booklet), please refer to the Reference Guide.

• The cables mentioned in this guide is not supplied with your unit.

• The Quick Guide shows the select accessories that are included with your model.

Outdoor Antenna Grounding



WARNING

- This device complies with part 15 of the FCC Rules. Operation is subject to the following two conditions: (1) This device may not cause harmful interference, and (2) this device must accept any interference received, including interference that may cause undesired operation.

BATTERIES (NOT SUPPLIED)

- Your remote control batteries are consumables.
- Dispose of batteries in an environmentally friendly way. Certain regions may regulate the disposal of batteries. Please consult your local authority.

IMPORTANT NOTICE FOR MEXICO

Operation of this equipment is subject to the following two conditions: (1) it is possible that this equipment or device may not cause harmful interference and (2) this equipment or device must accept any interference, including interference that may cause undesired operation.

For information related to the certificate number, refer to the package label and / or product.

Note:
This product uses the following module for wireless functionalities:
Model: DHUR-SY63
Brand: Wistron NeWeb Corporation

Information for the remote control with voice command included with this product:
Model: RMF-TX800U or RMF-TX900U*
Brand: Sony

Note: Uses the following device for wireless functionalities:
Model: UE878
Brand: UEI

* To see the model name of the remote control, open the remote control cover and see the label on the remote control.

CAUTION

To prevent electric shock and blade exposure, do not use this AC plug with an extension cord, receptacle or other outlet unless the blades can be fully inserted.
• Operate the TV only on 110 V - 240 V AC (U.S.A. 120 V AC).

Note
• This television includes a QAM demodulator which should allow you to receive unscrambled digital cable television programming via subscription service to a cable service provider. Availability of digital cable television programming in your area depends on the type of programming and signal provided by your cable service provider.

Safety Information

Notice for customers in the United States of America

Supplier's Declaration of Conformity
Trade Name: SONY
Model: KD-75X80K / KD-75X80CK / KD-65X80K / KD-65X80CK / KD-55X80K / KD-55X80CK / KD-50X80K / KD-43X80K

FCC Related Information

This equipment has been tested and found to comply with the limits for a Class B digital device, pursuant to Part 15 of the FCC Rules. These limits are designed to provide reasonable protection against harmful interference in a residential installation. This equipment generates, uses and can radiate radio frequency energy and, if not installed and used in accordance with the instructions, may cause harmful interference to radio communications. However, there is no guarantee that interference will not occur in a particular installation. If this equipment does cause harmful interference to radio or television reception, which can be determined by turning the equipment off and on, the user is encouraged to try to correct the interference by one or more of the following measures:
• Reorient or relocate the receiving antenna.
• Increase the separation between the equipment and receiver.
• Connect the equipment into an outlet on a circuit different from that to which the receiver is connected.
• Consult the dealer or an experienced radio/TV technician for help.

Pursuant to FCC regulations, you are cautioned that any changes or modifications not expressly approved in this manual could void your authority to operate this equipment.

Safety and Regulatory

FCC regulations restrict operation of this device to indoor use only.

Notice for customers in the United States of America

This equipment complies with FCC/IC radiation exposure limits set forth for an uncontrolled environment and meets the FCC radio frequency (RF) Exposure Guidelines and RSS-102 of the IC radio frequency (RF) Exposure rules. This equipment should be installed and operated keeping the radiator at least 20 cm or more away from person's body (excluding extremities: hands, wrists, feet and ankles).

This device and its antenna(s) must not be co-located or operating with any other antenna or transmitter except Grant condition.

Compatible Wall-Mount Bracket Information

Use the following Sony Wall-Mount Bracket with your TV model.

Sony Wall-Mount Bracket Model No.	SU-WL855*1
-----------------------------------	------------

Use with other Wall-Mount Brackets*2 may cause instability and could result in property damage or injury.

*1 Only for limited region/country/model.
*2 For instructions on using the Wall-Mount Bracket with your TV please go to <https://www.sony.com/am/support> for your TV model and download "Wall-Mount Bracket".

To Customers

Sufficient expertise is required for TV installations. Be sure to subcontract the installation to a Sony dealer or licensed contractor and pay adequate attention to safety during the installation.

Before setting up your TV

Some TV models are packaged with a detached Table-Top Stand so you can mount your TV to a wall right away. See "Installing the TV to the Wall" if you want to mount the TV to a wall. If you are not mounting the TV to a wall, you will need to attach the Table-Top Stand (refer to the Setup Guide).

Be sure to consider the following while setting up your TV:
• Disconnect all cables when carrying the TV.
• Two or more persons are needed to transport a large TV set.
• Correct hand placement while carrying the TV is very important for safety and to avoid damage.

• Ensure your TV has adequate ventilation, refer to the safety documentation.
• For best picture quality, do not expose the screen to direct illumination or sunlight.
• Avoid installing the TV in a room with reflective wall and floor materials.
• Avoid moving the TV from a cold area to a warm area. Sudden room temperature changes may cause moisture condensation. This may cause the TV to show poor picture and/or poor color. Should this occur, allow moisture to evaporate completely before powering the TV on.

Securing the TV

Sony strongly recommends taking measures to prevent the TV from toppling over.
Unsecured TVs may topple and result in property damage, serious bodily injury or even death.

Preventing the TV from Toppling

- Secure the TV to a wall and/or Stand.
- Do not allow children to play or climb on furniture and TV sets.
- Avoid placing or hanging items on the TV.
- Never install the TV on:
 - slippery, unstable and/or uneven surfaces.
 - furniture that can easily be used as steps, such as a chest of drawers.
- Install the TV where it cannot be pulled, pushed, or knocked over.
- Install the TV so that the TV's Table-Top Stand does not protrude out from the Stand (not supplied). If the Table-Top Stand protrudes out from the Stand, it may cause TV set to topple over, fall down, and cause personal injury or damage to the TV.

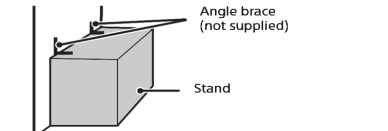


• Route all AC power cords and connecting cables so that they are not accessible to curious children.

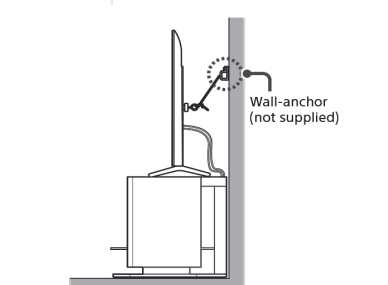
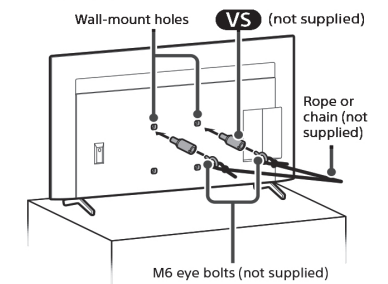
Recommended Measures to Secure the TV

Consider the following measures when securing your TV to a Stand (not supplied).

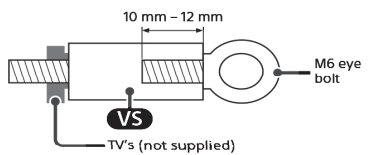
- 1 Secure the Stand for the TV.
Make sure the Stand can adequately support the weight of the TV. Use two angle braces (not supplied) to secure the Stand. For each angle brace use the appropriate hardware to:
 - Attach one side of the angle brace to the wall stud.
 - Attach the other side to the Stand.



- 2 Secure the TV to the Stand.
Use the optional hardware listed as follows (not supplied):
 - M6 machine screws (screwed into the TV's).
 - A screw or similar (attach it to the Stand)
- 3 Anchor the TV to the wall by using bolts, wall anchor and chain (or rope).



Please refer to below illustration for M6 eye bolt length.

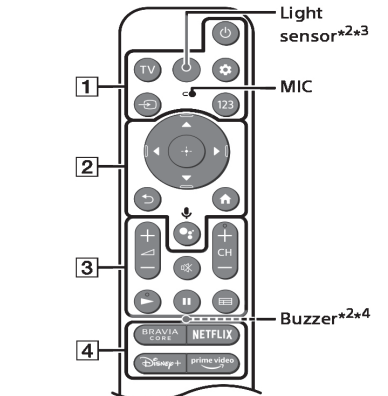


Note

- Your TV is shipped with screws attached to the rear of the TV depending on the TV model. (They are fastened in the screw holes for wall mounting.) Be sure to remove the upper two screws prior to anchoring the TV to a wall.
- Securing the TV to the Stand without securing the TV and the Stand to the wall provides minimum protection against the TV toppling over. For further protection, be sure to follow the three measures recommended.
- For details of supported formats, refer to the "Specifications" in this manual.
- For supported PC formats, refer to the online Help Guide.

Remote Control and TV

The remote control shape, layout, availability and function of remote control buttons may vary depending on your region/country/TV model/TV settings*1.



(Batteries not supplied)
The remote control vary depend of model: The buttons on the remote control may have a different name or location than the remote control shows in this manual.

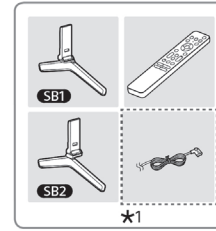
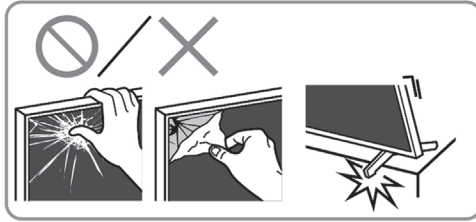
- 1 **Power**
TV: Display TV channel list or switch to input.
Quick settings: Display Quick Settings.
Input: Display and select the input source, etc.
123 (Control menu): Display the Control menu.
- 2 **Navigation**: On screen menu navigation and selection.
Back
Home
Google Assistant / **Microphone**: Use Google Assistant*5*6.
Volume
Mute
CH + / - (Channel)
Guide: Display the digital program guide of TV or Cable/Satellite box*8.
- 3 **App buttons**
- 4 **BUILT-IN MIC SWITCH***5: Turn on/off the built-in MIC.
- 5 **Power**
- 6 **Remote Control sensor / Light sensor / LED**
- 7 **Built-in MIC***5*6*9: To enable the built-in MIC, press the Google Assistant button on the remote control and follow the on-screen instructions.
- 8 **Light sensor***2*3
- 9 **MIC**
- 10 **Buzzer***2*4

For more information, refer to the Help Guide. Press **Input** on the remote control and select **[Help]**. If **[Help]** does not exist, select **[Edit]** and add **[Help]**.


Guidelines for IR Remote Control
• Point your remote control directly at the IR sensor located on your TV.

SONY®

Setup Guide



*2 1.5 N-m/1,5 N-m {15 kgf-cm}

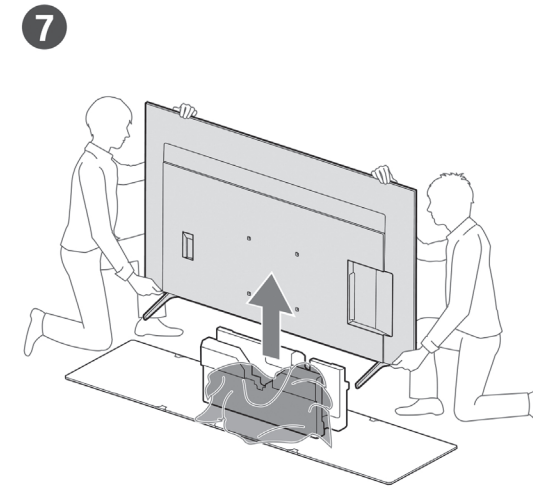
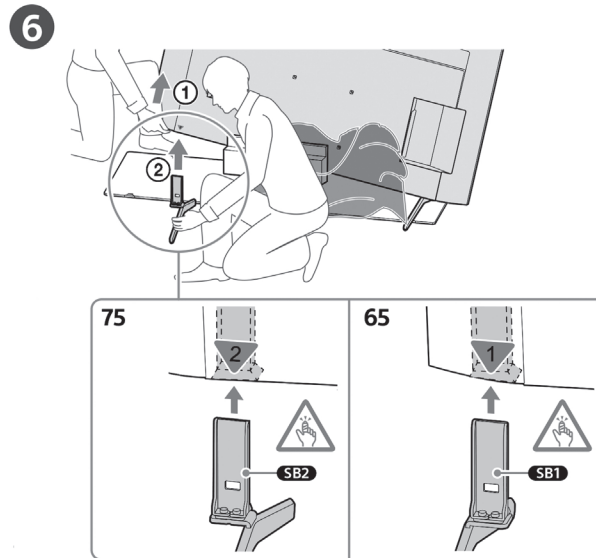
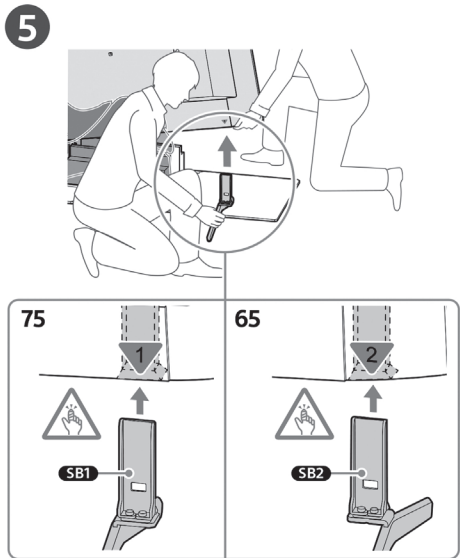
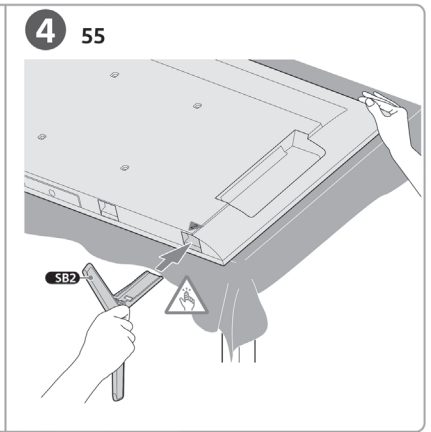
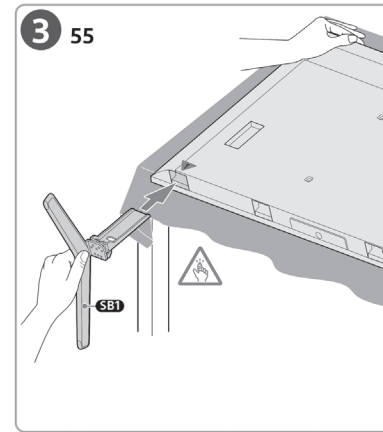
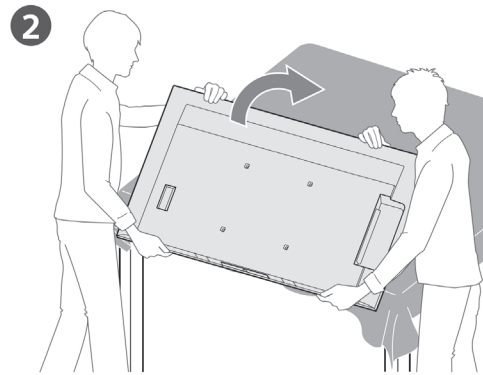
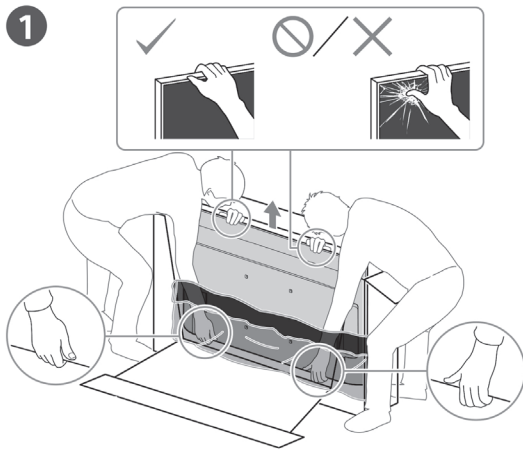


(Tools not supplied)

BRAVIA

KD-55X80K / 55X80CK
 KD-75X80K / 75X80CK / 65X80K
 KD-65X80CK

Accessory type and quantity may vary depending on the model.

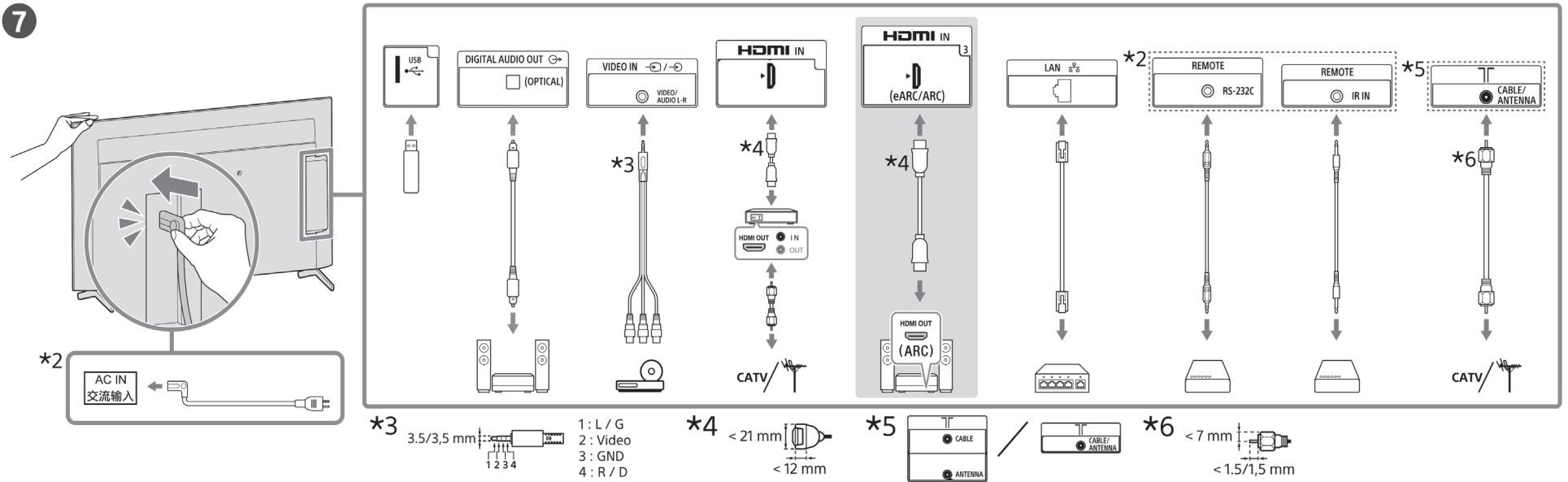


The image shown here is for illustrative purposes only and may be subject to change.
 The actual number of ports and their locations may vary depending on the model.

*1 Refer Reference Guide

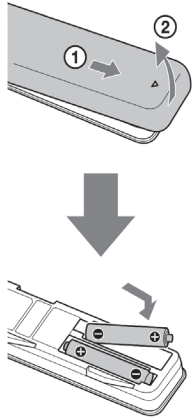
*2 Only for limited region/country/model.

7



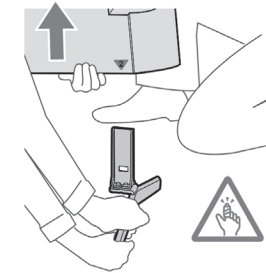
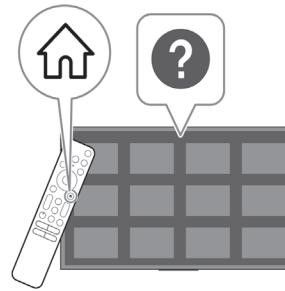
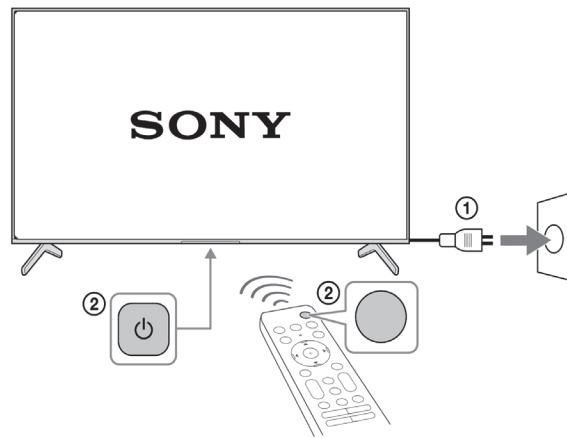
The cables mentioned in this guide is not supplied with your unit.

8



(Batteries not supplied)

9



The remote control vary depend of model: The buttons on the remote control may have a different name or location than the remote control shows in this manual.



804006843

PRINTED IN MEXICO / SC: 22-07-2022 / OBPN: 5-037-326-11(1) / SHNMDL: KD55X80CK_B
ADD: KD-75X80K/75X80CK/65X80K/65X80CK/55X80K/50X80K/43X80K / SHNMDL: KD55X80CK_B