



USER MANUAL

Dehumidifier

MAD

Rated voltage: 115V
Frequency: 60HZ

WARNING: Before using this product, please read this manual carefully and keep it for future reference.

The design and specifications are subject to change without prior notice for product improvement.

Read This Manual

Inside you will find many helpful hints on how to use and maintain your Dehumidifier properly. A little preventive care on your part can save you a great deal of time and money over the life of your Dehumidifier. You'll find many answers to common problems in the troubleshooting tips - you should be able to fix most of them quickly before calling service. These instructions may not cover every possible condition of use, so common sense and care for safety is required when installing, operating and maintaining this product.

804106504

CAUTION

- For support, please call a Service Center.
- This appliance is not intended for use by people (including children) with reduced physical, sensory, or mental capabilities or lack of experience and knowledge, unless they have been given supervision or instruction concerning use of the appliance by a person responsible for their safety.
- Children should be supervised to ensure that they do not play with the appliance.
- The appliance shall be installed in accordance with National wiring regulations and local electrical codes.

NOTICE

All the pictures in this manual are for illustrative purposes only. The actual shape of the dehumidifier you purchased may be slightly different, but its operations and functions are similar.

SAFETY PRECAUTIONS

To prevent injury to the user or personal and property damage, these instructions must be followed. Incorrect operation due to ignoring of instructions may cause harm or damage. The level of risk is shown by the following indications.

- WARNING** This symbol indicates a hazardous situation which, if not avoided, could result in death or serious injury.
- CAUTION** This symbol indicates a hazardous situation, which, if not avoided, could result in minor or moderate injury.
- NOTICE** This symbol addresses practices not related to physical injury.

WARNING

- Do not modify power cord length or share the outlet with other appliances. It may cause electric shock or fire due to overheating.
- Do not operate or stop the unit by inserting or pulling out the power plug. It may cause electric shock.
- Do not allow water to enter into electric parts. It may cause failure or electric shock.
- Do not use the power outlet if it is loose or damaged. It may cause fire and electric shock.
- Do not use or keep the power cord close to heating appliances or heat sources such as fireplaces. It may cause fire and electric shock.
- Do not disassemble or modify unit. It may cause failure and electric shock.
- Do not damage or use an unspecified power cord. It may cause fire and electric shock.
- Do not use the unit near flammable gas or combustibles, such as gasoline, benzene, thinner, etc. It may cause fire.
- Do not operate with wet hands. It may cause electric shock.
- Do not open the unit during operation. It may cause electric shock.
- Do not drink the water from the bucket.
- Do not use the unit in small spaces or place in a sink or shower. Lack of ventilation can cause overheating and fire.
- Do not attempt to repair the unit yourself.
- Avoid fire hazard or electric shock. Do not use an extension cord or an adaptor plug. Do not remove any prongs from the power cord.
- Plug in power plug properly. Otherwise, it may cause electric shock or fire due to excess heat generation.
- Always ensure effective grounding. Incorrect grounding may cause electric shock.
- Unplug the unit if strange sounds, smells, or smoke come from it. A damaged product may cause fire and electric shock.
- Ventilate room before operating the unit if there is a gas leak from other appliances.
- If the power cord is damaged, it must be replaced by the manufacturer or an authorized service center in order to avoid electrical risk.
- Before cleaning, turn off the power and unplug the unit.
- Be sure the dehumidifier has been securely and correctly installed according to the installation instructions in this manual. Save this manual for possible future use in removing or installing this unit.
- Be sure the dehumidifier is properly grounded. To minimize shock and fire hazards, proper grounding is important. The power cord is equipped with a three-prong grounding plug for protection against shock hazards.
- Your dehumidifier must be used in a properly grounded wall receptacle. If the wall receptacle you intend to use is not adequately grounded or protected by a time delay fuse or circuit breaker, have a qualified electrician install the proper receptacle. Ensure the receptacle is accessible after the unit installation.
- Be sure the electrical service is adequate for the model you have chosen. This information can be found on the serial plate, which is located on the side of the cabinet and behind the grille.

- Make sure the bucket is empty of water before nesting unit. It could cause electric shock and/or damage the unit.
- Unplug the unit before nesting it in the bucket. It could cause electric shock and/or damage the unit.
- When unplugging the unit, be sure to grab the plug, not the cord.

CAUTION

- Do not use in places where water may splash onto the unit. Water may enter the unit and degrade the insulation. It may cause an electric shock or fire.
- Place the unit on a level, sturdy section of the floor. If the unit falls over, it may cause water to spill and damage belongings, or cause electrical shock or fire.
- Never insert your finger or other foreign objects into grills or openings. Take special care to warn children of these dangers. It may cause failure or electric shock.
- Do not climb up on or sit on the unit. You may be injured if you fall or if the unit falls over.
- Always insert the filters securely, and take caution to avoid injuries to hand and fingers. Clean filter once every two weeks.
- If water enters the unit, turn the unit off and disconnect the power, contact the service center.
- If the unit is knocked over during use, turn off the unit and unplug it from the main power supply immediately. Visually inspect the unit to ensure there is no damage. If you suspect the unit has been damaged, contact customer service.
- In a thunderstorm, the power should be disconnected to the unit due to lightning. Do not run power cord under carpeting. Do not cover cord with throw rugs, runners, or similar coverings. Do not route cord under furniture or appliances. Arrange cord away from traffic area and where it will not be tripped over.
- Do not place anything on top of the unit. This would restrict airflow, possibly damage the unit and decrease performance.
- Always lift unit with 2 hands using proper lifting technique.
- Before turning the unit on, make sure it is seated correctly on the bucket.
- Before lifting ensure the handle is properly attached.
- Only use the bucket that came with the unit. Do not use any other bucket.
- Clean the bucket regularly.

UNIT SPECIFICATIONS AND FEATURES

Product overview

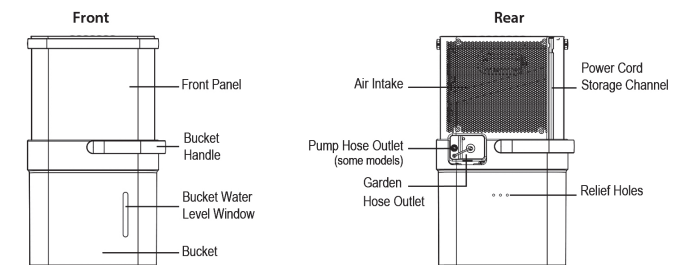


Fig. 1

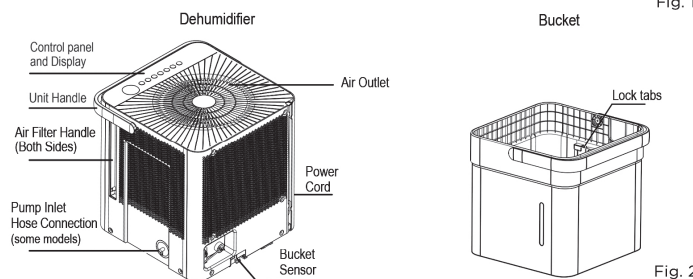
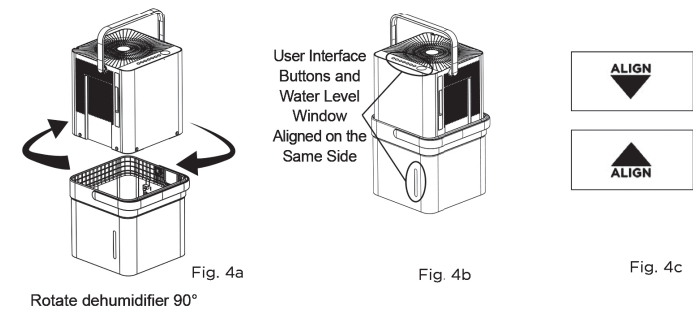
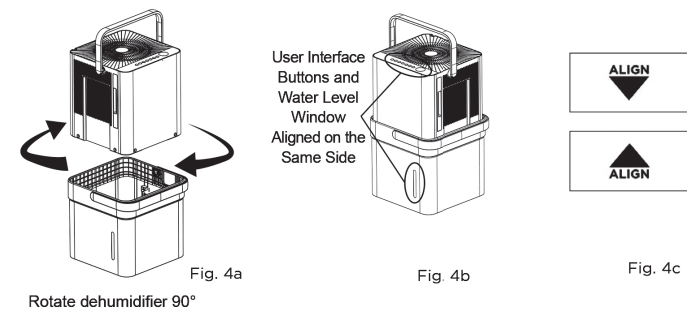


Fig. 2



Step 3:

Plug the unit in and press the power button and the unit is ready to run in normal (bucket) mode.



Step 3:

Plug the unit in and press the power button and the unit is ready to run in normal (bucket) mode.

INSTALLATION INSTRUCTIONS

Positioning the Unit

The dehumidifier should be placed in the area where dehumidification is desired most. Adjacent rooms in which dehumidification is also desired should allow adequate airflow in and out of the space containing the dehumidifier.

- Do not use outdoors.
- This dehumidifier is intended for indoor residential applications only. This dehumidifier should not be used for commercial or industrial applications.
- Place the dehumidifier on a smooth, level floor strong enough to support the unit with a full bucket of water.
- Allow at least 8" of air space on all sides of the unit for air circulation (at least 16" for air outlet).
- Place the unit in an area where the temperature will not fall below 41°F (5°C). The coils can become covered with frost at lower temperatures, which may reduce performance.
- Place the unit away from any clothes dryer, heater or radiator.
- Close all doors, windows, and other openings to the outdoors in the room.

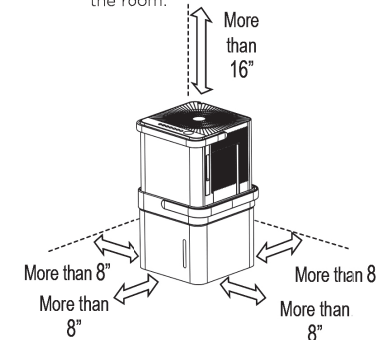
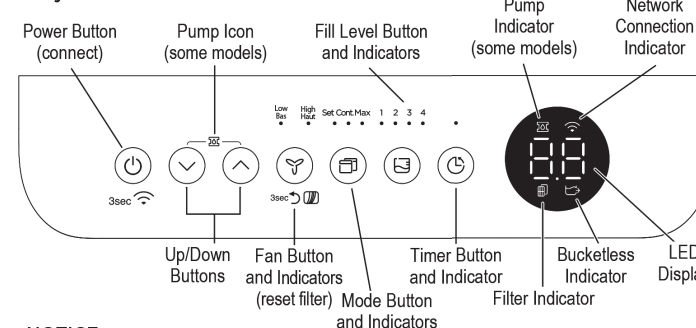


Fig. 5

OPERATING INSTRUCTIONS

Key Pad Features



NOTICE

The appearance of the control panel on your unit may vary slightly. Functions will be similar.

Operating Instructions

When you push the button to change operation modes, the unit will make a beep sound to indicate that it is changing modes.

Power Button:

Press this button to turn the unit On/Off.

Connect:

Holding the power button for 3 seconds will place the unit in network connection mode to setup wireless control.

Up/Down Buttons:

Press these buttons to adjust the setpoint or to set the time feature.

Fan Button:

Press this button to change the fan speed between High and Low.

Filter Reset:

To reset the change filter indicator, hold the fan button for 3 seconds.

Mode Button:

Press this button to change the mode of the dehumidifier between Set mode, Max mode, and Continuous run mode.

Set - The dehumidifier runs until the humidity setpoint has been reached. The dehumidifier will begin running once the humidity rises above the setpoint again.

Max - The dehumidifier will run continuously on High Fan.

Continuous - The dehumidifier will run continuously and the fan speed can be changed in this operating mode.

NOTICE

While operating on continuous and Max modes, the humidity setpoint cannot be adjusted manually.

Fill Level Button:

Press this button to change the required water level before the bucket full switch activates. The options will fill approximately to the amounts shown in the table below:

Fill level	Pint 20 pint	Pint 35 pint 50 pint
1	1.5 gallons (17 lb)	2.25 gallons (24 lb)
2	2 gallons (21 lb)	3 gallons (30 lb)
3	2.75 gallons (27.5 lb)	3.75 gallons (36.5 lb)
4	3 gallons (29.5 lb)	4.25 gallons (40.5 lb)

Choose the option which is most comfortable for you when emptying the bucket.

When the bucket is full, the Display will show P2.

The weights above are approximate weights of the bucket when filled with the corresponding volume of water.

Error Codes and Protection Code:

EH60 - Room temperature sensor error--Unplug the unit and plug it back in. If error repeats, call a service center.

EH61 - Tube Temperature sensor of the evaporator error--Unplug the unit and plug it back in. If error repeats, call a service center.

EH0b - Display board and master control board communication error--Unplug the unit and plug it back in. If error repeats, call a service center.

P2 - Bucket has reached the set Fill Level- Empty the bucket and place the unit on the bucket properly.

Eb - Bucket is removed or not in right position - Replace the bucket in the right position. (only available for the unit with pump feature.)

Other Features

Auto Defrost

When frost builds up on the evaporator coils, the compressor will cycle off and Auto Defrost function will run automatically.

3 minute compressor operation delay protection

After the unit has stopped, it can not be restarted in the first 3 minutes to protect compressor operation. The unit will restart automatically after 3 minutes.

Auto-Restart

If the unit stops unexpectedly due to power being cut, it will restart with the previous function setting (except bucketless mode) automatically when the power resumes.

NOTICE

For accurate fill levels, ensure the bucket is empty before beginning operation.

Timer Button:

Press this button to activate the Timer function. The Timer LED will illuminate indicating timer mode is being set. 0.0 will also appear on the display indicating the number of hours from now until the timer function will initiate. When the timer function initiates, the unit will change its power state. For more information see Timer function.

Bucketless mode:

Bucketless mode allows you to run the unit without the bucket in place. The drain hose (Not supplied) or a garden hose must be attached for proper bucketless mode operation. To activate bucketless mode, following steps must be completed within three minutes of plugging the dehumidifier in.

- Press and hold the up and fill level buttons for 3 seconds until the bucketless icon appears on the display.
- Ensure the dehumidifier is on a flat level surface (free of debris).
- Make sure the hose for Bucketless mode does not rise above the connection point.
- Attempting to change the unit into bucketless mode while its sitting on the bucket will have no effect.

To remove the unit from bucketless mode, place the unit back on the bucket.

Timer Function

- When activating the Timer function, you are setting the time until the unit changes its power state. This means, if the unit is on, activating the timer function will set the time until the unit will turn off. If the unit is off, activating the timer function will set the time until the unit will turn on.
- The time can be set after pressing the timer button then using the up or down buttons. These buttons will change the time in 0.5 hour increments up to 10 hours. After 10 hours, the time will change in 1 hour increments up to 24.
- If an error code appears during this time, the timer function will be cancelled.

NOTICE

- When first using the dehumidifier, operate the unit continuously 24 hours. Make sure the plastic cover on the continuous drain hose outlet is installed properly so there are no leaks.
- This unit is designed to operate in a working environment between 5°C/41°F and 35°C/95°F.
- Make sure the water bucket is positioned correctly so that the unit can operate properly. When the water in the bucket reaches a certain level, please be careful while moving the unit to avoid spilling.

Note: The images shown here are for illustrative purpose only and may be subject to change.

Removing Collected Water

There are three ways to remove collected water:

1. Emptying the bucket

- When the bucket reaches the set Fill Level, the unit's display will show P2 regardless of power status.
- Using proper lifting techniques, remove the unit from the bucket. Be aware, some residual water may spill from the bottom of the unit while not on the bucket.
- Using two hands, grab the bucket handle and carry it to the desired drainage point. Pouring from a front corner of the bucket (the bucket window is on the front side), empty the bucket. If pouring from the back of the bucket, some water may spill from the relief holes.
- Return the bucket to the desired operating location and place the unit back on the bucket. Be sure the unit is aligned properly.

1. Lift the unit off the bucket and place it on a level surface.

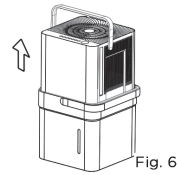


Fig. 6

2. Lift the bucket using 2 hands and carry to drainage point.

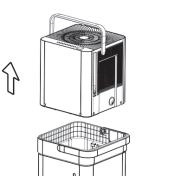


Fig. 7

3. Pour out all of the water.

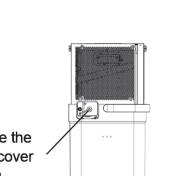


Fig. 8

Remove the plastic cover rotating counter-clockwise

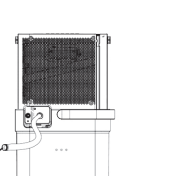


Fig. 9

NOTICE

- When you remove the unit from the bucket do not set the unit on any electrical components as the bottom may be wet.
- Do not set the unit on an uneven surface after removing it from the bucket.
- Ensure the unit is seated properly after returning it to the bucket.
- If the unit is removed from the bucket during operation, the display will show the error code Eb and cease operation until returned to the bucket or changed to bucketless mode.

2. Continuous draining

- Water can be automatically emptied from the unit into a sink, or other type of drain using a hose (Not included).
- To install the hose, remove the drain cap from the rear of the unit and set aside. Insert a drain hose (Not included), or attach a garden hose to the drain outlet. Place the other end of the hose on or near the drain so that water will drain properly.
- When removing the drain hose, some water may remain in the hose or the drain outlet. Be sure this water will not spill by drying the wet area before moving the unit.

NOTICE

When using the continuous draining feature, ensure the unit is placed above the sink or drain being used. This will ensure proper draining.

Reinstall the plastic cover

Max pump height: 14 ft. Make sure the hose is properly seated.

To remove the pump hose, push in on the collar around the hose and pull the hose out.

Pump drain hose outlet

Pump drain hose

Pump drain hose outlet connection

Pump drain hose inlet connection

NOTE: Drain hose is not included

NOTE: Drain hose is not included

NOTE: Drain hose is not included

NOTE: Drain hose is not included

NOTE: Drain hose is not included

NOTE: Drain hose is not included

NOTE: Drain hose is not included

NOTE: Drain hose is not included

NOTE: Drain hose is not included

NOTE: Drain hose is not included

NOTE: Drain hose is not included

NOTE: Drain hose is not included

NOTE: Drain hose is not included

NOTE: Drain hose is not included

NOTE: Drain hose is not included

NOTE: Drain hose is not included

NOTE: Drain hose is not included

NOTE: Drain hose is not included

NOTE: Drain hose is not included

NOTE: Drain hose is not included

NOTE: Drain hose is not included

NOTE: Drain hose is not included

NOTE: Drain hose is not included

NOTE: Drain hose is not included

NOTE: Drain hose is not included

NOTE: Drain hose is not included

NOTE: Drain hose is not included

NOTE: Drain hose is not included

NOTE: Drain hose is not included

NOTE: Drain hose is not included

NOTE: Drain hose is not included

NOTICE

The pump may generate a loud noise for the first 3-5 minutes of operation.

- Make sure the hose is secure so there are no leaks.
- Direct the hose toward the drain, making sure that there are no kinks that will stop the water flowing.
- Place the end of the hose into the drain.
- Select the desired humidity setting and fan speed on the unit for pump draining to start.
- When operating in Bucketless mode the pump cannot be used.

NOTICE

The pump operation light blinks when a failure occurs. Please turn off the unit and disconnect the power cord. Check the following items:

- Cleaning the pump filter:
 - Clean the pump filter following the instructions below.
- Check if the drain hose is clean and free of debris.
- Empty the water from the bucket.
- Check the hose connection and the bucket for proper fitment. If the error persists, contact a service Center.

NOTICE

If routing the drain hose outdoors, do not operate when the outdoor temperature is at or below 32°F (0°C) as the water will freeze, blocking the hose and causing the unit to stop.

Make sure to empty the bucket at least once a week a week when using the pump draining feature. When the pump draining feature is not being used, remove the pump drain hose from the outlet. **Note:** Drain Hose not supplied

CARE AND CLEANING

Turn the dehumidifier off and disconnect the plug from the power source before cleaning.

1. Clean the Grill and Case

- Use water and a mild detergent. Do not use bleach or abrasives.
- Do not splash water directly onto the unit. Doing so may cause an electrical shock, cause the insulation to deteriorate, or cause the unit to rust.
- The air intake and outlet may get dirty during operation, use a vacuum cleaner or brush to clean.

2. Clean the bucket

- Every few weeks, clean the bucket thoroughly. Partially fill the bucket with clean water and mild detergent. Swish it around in the bucket, empty and rinse.

NOTICE

Do not use a dishwasher to clean the bucket.

3. Clean the air filters

- To remove the filters, pull each filter outwards.
- Wash the filters with clean water then dry.
- Re-install each filter.
- Reset the filter indicator light following operating instructions.

CAUTION

To avoid loss of performance or damage to the unit, do not operate the dehumidifier without the filters.

NESTING AND STORING INSTRUCTIONS

Step 1:

Power off and unplug the unit. Then lift the dehumidifier off the bucket.

Step 2:

Empty all water from bucket.

WARNING

Make sure the bucket is empty before nesting the dehumidifier to avoid risk of electrical shock.

Step 3:

Make sure to press the tabs on the inside bucket feature in so that the unit can nest correctly. See Fig. 14.

Step 4:

Rotate dehumidifier 90° in either direction and insert into bucket to nest.

NOTICE

Make sure the power cord is properly tucked into the power cord storage channel on the back of the dehumidifier to prevent damage.

Step 5:

The dehumidifier is nested and ready to store.

CAUTION

When carrying the nested unit, be sure and use the bucket handle to ensure both the dehumidifier and bucket are safely carried.

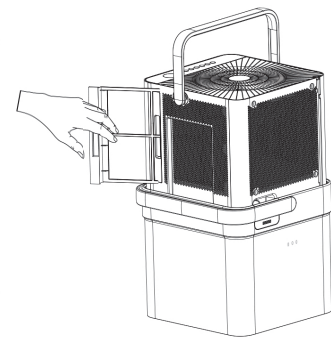


Fig. 12

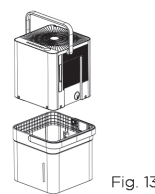


Fig. 13

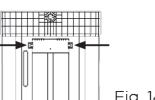


Fig. 14

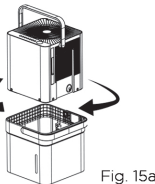


Fig. 15a

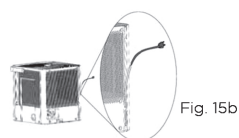


Fig. 15b

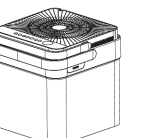


Fig. 16

TROUBLESHOOTING TIPS

Before calling for service, review this list. It may save you time and money. This list includes common occurrences that are not the result of defective workmanship or materials in this appliance.

Problem	Solution
Unit does not start	Make sure the dehumidifiers plug is connected firmly into the wall outlet.
	Check the house fuse/circuit breaker box.
	Dehumidifier has reached its preset level or bucket is full.
Dehumidifier does not dry the air as it should	Water bucket is not in the proper position.
	Not enough time to remove the moisture.
	Make sure there are no curtains, blinds or furniture blocking the front or back of the dehumidifier.
	The humidity control may not be set low enough.
The unit makes a loud noise when operating	Check that all doors, windows and other openings are securely closed.
	Room temperature is too low, below 5°C (41°F).
	There is a water vapor source in the room.
Frost appears on the coils	Air filter may be dirty. Clean filter. Refer to Care and Cleaning section.
	The unit is tilted instead of upright as it should be.
Water on floor	The floor surface is not level.
	Hose to connector or hose connection may be loose.
ES, AS, P2, EC, Eb and E3 appear in the display	Intended to use the bucket to collect water, but the back drain plug is removed.
	These are error codes and protection code. Check Operating Instructions.
	Clean the pump filter.
The pump operation on light blinks at 1Hz	Check the pump hose is not blocked or leaking.
	Empty the water bucket.
When operating in bucketless mode, water collects around the bottom of the unit	Check to ensure the unit is level, and there is no debris on the surface.
	Check the drain hose connection and ensure it is properly seated in the outlet.

APP INSTRUCTIONS

DECLARATION OF CONFORMITY

We hereby declare that this Dehumidifier is in compliance with the essential requirements and other relevant provisions of Directive 1999/5/EC.

SPECIFICATION OF WIRELESS MODULE

Model: US-OSK103	Dimensions: 41 x 24 x 5 (mm)
Standard: IEEE 802.11 b/g/n	Operation Temperature: 0°C - 45°C / 32°F - 113°F.
Antenna Type: External omnidirectional Antenna	Operation Humidity: 10% - 85%
Frequency: 2.4 GHz (wireless)	Power Input: DC 5V/300 mA
Maximum Transmitted Power: 15 dBm Max	

PRECAUTIONS

- Supports operating systems: iOS 7+ or Android 4+.
- In the event of a OS update, there may be a delay between the update of the OS and a related software update during which your OS may or may not be supported until a new version is released. Your specific mobile phone or problems in your network may prevent the system from working and Midea will not be responsible for any problems that could be caused by incompatibility or network issues.
- This Smart Dehumidifier only supports WPA-PSK/WPA2-PSK (recommended) encryption.
- To ensure proper scanning of the QR code, your smart phone must have at least a 5-megapixel camera.
- Due to unstable network connectivity, requests may time out. If this happens, re-run the network configuration.
- Due to unstable network connectivity, commands may time out. If this happens, the smartphone app and the actual product may display conflicting information. The information displayed on the actual product is always the most accurate available. Refresh the app to re-sync.

NOTICE

Midea will not be responsible for any problems that could be caused by incompatibility or network issues, your wireless router and mobile phone.

SYSTEM OVERVIEW

Devices required to use the Smart Dehumidifier:

- Smart Phone with compatible iOS or Android system.
- Wireless Router
- Smart Dehumidifier

DOWNLOAD AND INSTALL THE APP

Android QR code



Apple QR code



Scan to download app.

- You can also go to Google Play or App Store and search for Midea Air.

REFURBISHED PRODUCT LIMITED THIRTY DAY WARRANTY

The **Refurbished Product Service Center** offers the following WARRANTY to the ORIGINAL purchaser of a product which we have refurbished.

This product that has been refurbished is warranted against any electronic or mechanical defects for a period of THIRTY DAYS from the date of the original purchase by the consumer. Since this unit was sold as a refurbished item, the warranty does not apply to any cosmetic appearance items such as scratches. Should a defect occur, the **Refurbished Product Service Center** will repair or, at its option, replace defective unit/parts with new or rebuilt materials without charge for either parts or labor. Replacement unit/parts will be warranted for the remaining portion of the original warranty period.

This warranty does not cover installation or damage from accident, misuse, abuse, improper wiring, incorrect voltage, operating the unit against the instructions in the owner's manual or any product which has been opened, altered, or tampered with.

This warranty does not cover costs for removal and or installation of the unit for repair. Under no circumstances shall the service center be liable for any special, incidental or consequential damages or for any other expenses incurred by reason of use or sale of this product. This warranty is in lieu of any other warranties expressed or implied warranty of merchantability of fitness for particular use or otherwise.

This warranty gives the consumer specific legal rights and they may also have other rights which vary from State to State. Some States do not follow the exclusion or limitation of incidental or consequential damages, hence the above exclusion and limitations may not apply.

Refurbished Product Service Center
13225 Marquardt Avenue Santa Fe Springs, CA 90670

WARRANTY REPAIR INFORMATION

If you need service on your unit during the 30 day warranty period; please go to www.ConsumerServiceRefurbish.com or call the Refurbished Product Service Center at 562-946-3531 to obtain the required claim number. Once you obtain your claim number, pack the unit properly (the original carton is ideal for this purpose) along with a copy of your purchase receipt. Send the unit freight prepaid and insured to:

Refurbished Product Service Center,

Att: Customer Service Department 13225 Marquardt Avenue Santa Fe Springs, CA 90670

Your unit will be promptly exchanged and returned to you. We will refuse to accept delivery of the returned unit unless the assigned claim number appears on the outside of the shipping carton.

Owner's Information

(Keep for your permanent records)

NAME: _____

ADDRESS: _____

CITY: _____ STATE: _____ ZIP CODE: _____

PHONE: _____ E-MAIL: _____

MODEL: _____ SERIAL NO.: _____

PRINTED IN MEXICO/ SC:08.03.2021

obpn:16120100A14873

shnmdl:MAD20S1QWT_B - Pags:TAB elbr:m.c.

8 0 4 1 0 6 5 0 4

804106504

804106504