

# Shark

## Navigator™ Lift-Away®

### OWNER'S GUIDE

It's important to read this manual prior to using your new product for the first time.



## IMPORTANT SAFETY INSTRUCTIONS

FOR HOUSEHOLD USE ONLY • PLEASE READ CAREFULLY BEFORE USE

If the plug does not fit fully into the outlet, reverse the plug. If it still does not fit, contact a qualified electrician. DO NOT force into outlet or try to modify to fit.

### WARNING

To reduce the risk of fire, electric shock, injury, or property damage:

#### GENERAL WARNINGS

When using an electrical appliance, basic precautions should always be followed, including the following:

- Your vacuum cleaner may consist of a motorized nozzle, wand, hose, and/or vacuum pod. This device contains electrical connections, electrical wiring, and moving parts that potentially present risk to the user.
  - Use only identical replacement parts.
  - Carefully observe and follow the instructions provided below to avoid improper use of the appliance. **DO NOT** use the vacuum for any purpose other than those described in this manual.
  - Before use, carefully inspect all parts for any damage. **DO NOT** use if any parts are damaged.
  - The use of an extension cord is **NOT** recommended.
  - This vacuum cleaner contains no serviceable parts.
- USE WARNINGS**
- This appliance can be used by persons with reduced physical, sensory or mental capabilities or lack of experience and knowledge if they have been given supervision or instruction concerning use of the appliance in a safe way and understand the hazards involved. Cleaning and user maintenance shall not be made by children. Keep the appliance and its cord out of reach of children. **DO NOT** allow the appliance to be used by children. **DO NOT** allow to be used as a toy. Close supervision is necessary when used near children.
  - Always turn off the vacuum cleaner before connecting or disconnecting any motorized nozzles or other accessories.
  - DO NOT** handle plug or vacuum cleaner with wet hands.
  - DO NOT** use without filters in place.
  - Only use filters and accessories provided. Failure to do so will also void the warranty.
  - DO NOT** damage the power cord:
    - DO NOT** pull or carry vacuum cleaner by the cord or use the cord as a handle.
    - DO NOT** unplug by pulling on cord. Grasp the plug, not the cord.
    - DO NOT** run the vacuum cleaner over the power cord, close a door on the cord, pull the cord around sharp corners, or leave the cord near heated surfaces.
  - DO NOT** put any objects into nozzle or accessory openings. **DO NOT** use with any opening blocked; keep free of dust, lint, hair, and anything that may reduce airflow.
  - DO NOT** use if nozzle or accessory airflow is restricted. If the air paths or the motorized floor nozzle become blocked, turn the vacuum cleaner off and unplug from electrical outlet. Remove all obstructions before you plug in and turn on the unit again.
  - Keep nozzle and all vacuum openings away from hair, face, fingers, uncovered feet, or loose clothing.
  - DO NOT** use if vacuum cleaner is not working as it should, or has been dropped, damaged, left outdoors, or dropped into water.

- Use extra care when cleaning on stairs.
- DO NOT** leave the vacuum cleaner unattended while plugged in.
- When powered on, keep the vacuum cleaner moving over the carpet surface at all times to avoid damaging the carpet fibers.
- DO NOT** place vacuum cleaner on unstable surfaces such as chairs or tables.
- Your Shark® Vacuum may not be designed to stand up on its own. When taking a break from cleaning, you may need to lean it against furniture or a wall, or lay it flat on the floor. Using the vacuum for an application where the unit lacks stability may result in personal injury.
- DO NOT** use to pick up:
  - Liquids
  - Large objects
  - Hard or sharp objects (glass, nails, screws, or coins)
  - Large quantities of dust (drywall dust, fireplace ash, or embers). **DO NOT** use as an attachment to power tools for dust collection.
  - Smoking or burning objects (hot coals, cigarette butts, or matches)
  - Flammable or combustible materials (lighter fluid, gasoline, or kerosene)
  - Toxic materials (chlorine bleach, ammonia, or drain cleaner)
- DO NOT** use in the following areas:
  - Poorly lit areas
  - Wet or damp surfaces
  - Outdoor areas
  - Spaces that are enclosed and may contain explosive or toxic fumes or vapors (lighter fluid, gasoline, kerosene, paint, paint thinners, mothproofing substances, or flammable dust)
- Turn off all controls before plugging in or unplugging the vacuum.
- Unplug from electrical outlet when not in use and before any maintenance or cleaning.
- Hand wash with water only. Washing with cleaning chemicals could damage the unit.
- During cleaning or routine maintenance, **DO NOT** cut anything other than hair, fibers, or string wrapped around the brushroll.
- Allow all filters to air-dry completely before replacing in the vacuum to prevent liquid from being drawn into electric parts.
- Make sure the dust cup and all filters are in place after routine maintenance.
- If provided, secure the power cord around the two cord hooks during storage.

#### TECHNICAL SPECIFICATIONS

Voltage: 120V, 60Hz  
Amps: 6.7A

To reduce the risk of electric shock, this appliance has a polarized plug (one blade is wider than the other). This plug will fit in a polarized outlet only one way. If the plug does not fit fully in the outlet, reverse the plug. If it still does not fit, contact a qualified electrician to install the proper outlet. Do not change the plug in any way.

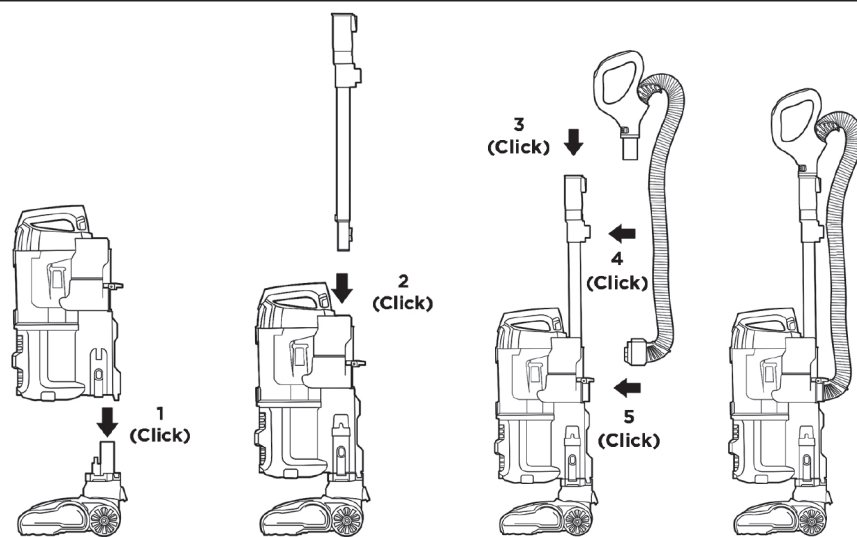
## SAVE THESE INSTRUCTIONS

### ASSEMBLY

- Place **Pod** onto **Floor Nozzle Post**.
- Insert **Wand** into pod.
- Insert **Handle** into wand.
- Attach **Hose Clip** to wand.
- Connect **Hose** to back of pod.

For proper operation, ensure all parts are firmly clicked into place.

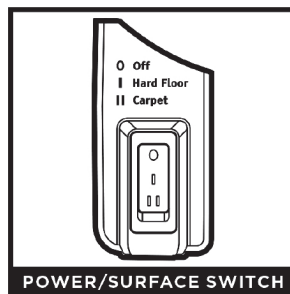
### ASSEMBLY - cont.



**NOTE:** Accessories may vary depending on the model. Refer to quick guide, if available. The images shown here are for illustrative purposes only and may be subject to change.

### WHOLE-HOME CLEANING

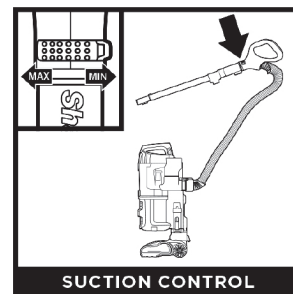
#### SETTINGS



POWER/SURFACE SWITCH

Select surface setting:

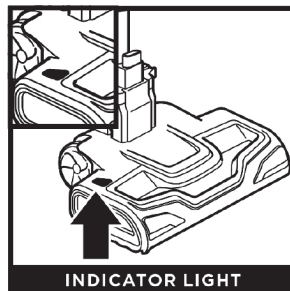
- Off** Power Off
- I** Hard Floor For bare floors and area rugs.
- II** Carpet For high pile carpets.



SUCTION CONTROL

**Suction Control** offers variable suction based on your needs. Slide to **MIN** to reduce suction and increase maneuverability on carpets. Slide to **MAX** to increase suction on bare floors.

#### BRUSHROLL INDICATOR LIGHT



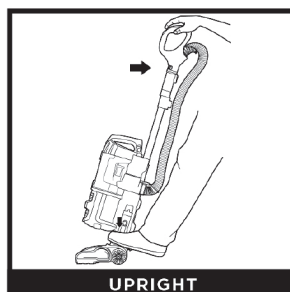
INDICATOR LIGHT

#### WHAT DOES THE BRUSHROLL INDICATOR LIGHT MEAN?

**Solid Green:** The brushroll is spinning and working as it should.  
**Solid Red:** There is a jam in the brushroll area. Turn your vacuum off and remove any blockages in the nozzle.  
**Flashing Red:** The motorized floor nozzle is overheating. Turn your vacuum off and wait a minimum of 45 minutes for it to cool down.

**NOTE:** For deep carpet cleaning per ASTM F 608 (embedded dirt in carpets), setting II, **Carpet**. For deep carpet cleaning per ASTM F 608, set to **MAX** suction and **Carpet**.

#### CLEANING MODES



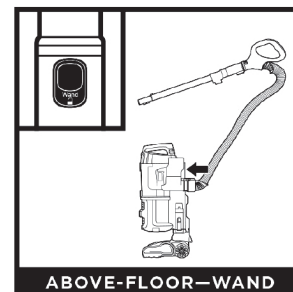
UPRIGHT

To engage brushroll, place foot on floor nozzle and tilt handle back.



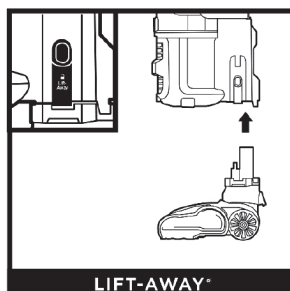
ABOVE-FLOOR—HANDLE

Press the **Handle Release** button to detach the handle from the wand.



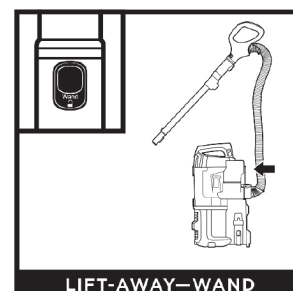
ABOVE-FLOOR—WAND

Press the **Wand Release** button to detach the wand from the pod.



LIFT-AWAY\*

Press the **Lift-Away** button to detach the pod from the floor nozzle.



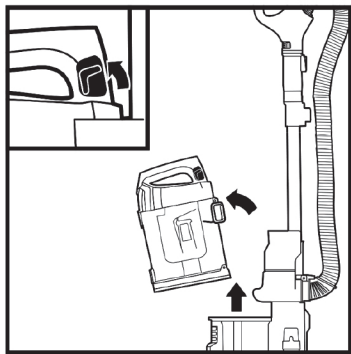
LIFT-AWAY—WAND

With pod removed, press the **Wand Release** button to detach the wand from the pod.

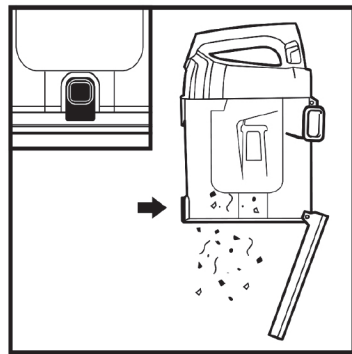
**NOTE:** All accessories are compatible with both the wand and the handle.

## EMPTYING THE DUST CUP

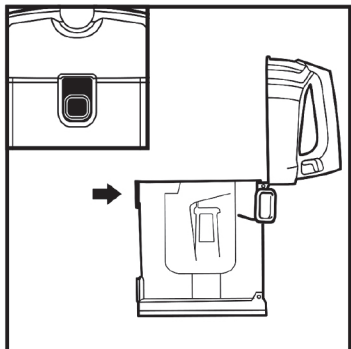
**IMPORTANT:** Unplug the power cord before performing any maintenance.



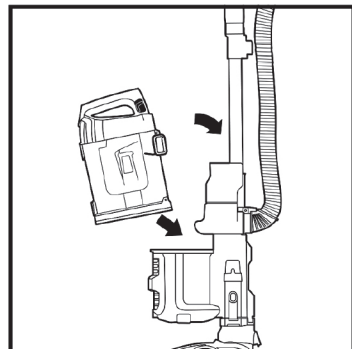
To remove **Dust Cup**, slide up release tabs on both sides of dust cup handle. Tilt dust cup forward, then lift to remove.



Press lower release button to open bottom of dust cup.



To remove collected debris from **Lint Screen**, press top release button and lift handle to open. Gently brush lint screen to clean.



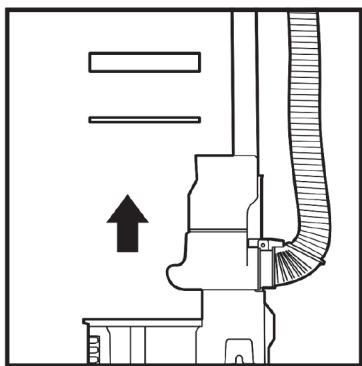
To reinstall, place bottom of dust cup into pod and then tilt back until it clicks into place.

## CLEANING THE FILTERS

Regularly clean and replace the filters to keep your vacuum's suction power optimal.

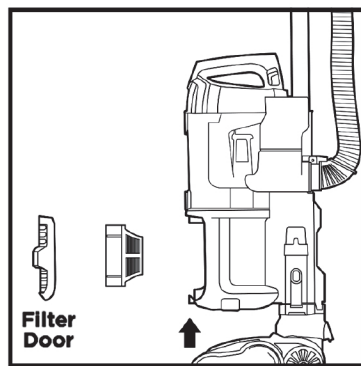
To clean filters, rinse with cold water only to prevent damage from cleaning chemicals. Allow all filters to air-dry for at least 24 hours before reinstalling them to prevent liquid from being drawn into electric parts.

**IMPORTANT: DO NOT** use soap when cleaning the filters.



CLEAN PRE-MOTOR FILTERS EVERY 3 MONTHS

Remove **Dust Cup**, then lift out **Filters**.

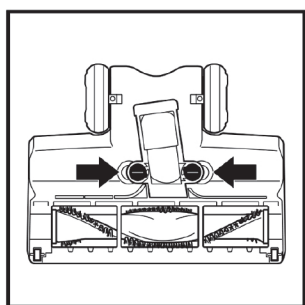


CLEAN HEPA FILTER EVERY YEAR

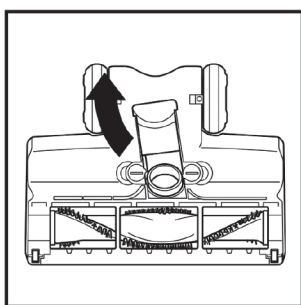
Press button at bottom of **Filter Door**. Tilt **Filter Door** and lift out. Remove **HEPA Filter**. To reinstall, insert HEPA filter into unit and replace the filter door.

## MAINTENANCE

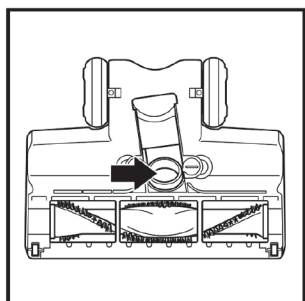
### CLEANING THE BRUSHROLL



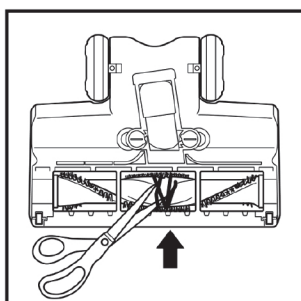
Using a coin, turn locks counterclockwise to open, then lift off cover to access brushroll.



Squeeze tabs together and pull up to expose the airway.

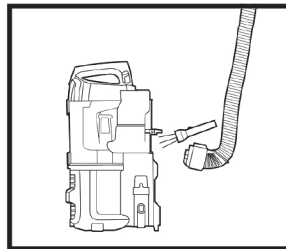


Clear blockages from airway. Replace cover, pressing down firmly on all sides before turning locks clockwise to close.

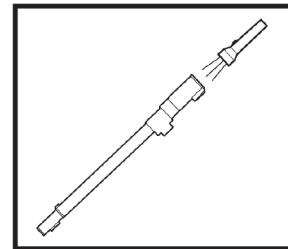


Use scissors to remove any string, carpet fibers, or hair that is wrapped around the brushroll.

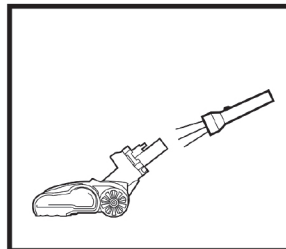
## CHECKING FOR BLOCKAGES



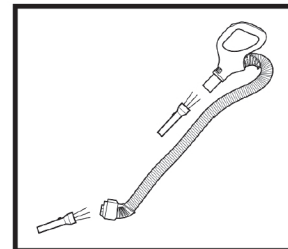
Detach hose from vacuum pod, and check hose and opening on back of pod for blockages.



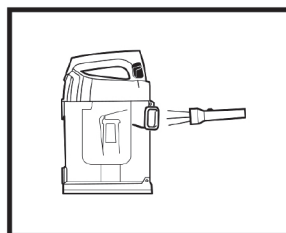
Detach wand from floor nozzle and handle, and check both ends for blockages.



Detach wand from floor nozzle, tilt nozzle neck back, and check opening for blockages.



Detach handle from wand and hose from the vacuum pod, and check openings for blockages.



Detach dust cup from vacuum pod. Empty dust cup, remove debris from lint screen, and check for blockages.

## TROUBLESHOOTING

### Vacuum is not picking up debris. No suction or light suction.

- Check filters to see if they need cleaning. Follow instructions for rinsing and air-drying the filters before reinserting in the vacuum.
- Dust cup may be full; empty dust cup.
- Check hose, hose connections, nozzle, wand, pod, and accessories for blockages. Clear any blockages found.

(Refer to Checking for Blockages section for more information.)

### Vacuum lifts area rugs.

- Make sure Power/Surface switch is set to Hard Floor (setting I).
- Suction is powerful. Take care when vacuuming area rugs or rugs with delicately sewn edges.
- To minimize suction, slide the suction control valve to MIN.

### Brushroll does not spin.

- If the Brushroll Indicator Light turns red, immediately turn off and unplug the vacuum. Remove pod from floor nozzle and clear any blockages. Reconnect nozzle, plug in vacuum, and turn on power.
- Set the Power/Surface switch to position II, Carpet.
- Step on the floor nozzle and recline the handle to activate the brushroll.
- If brushroll repeatedly stops spinning on plush or high-pile carpet, slide suction control to MIN.

### Vacuum turns off on its own or indicator light flashes red.

This vacuum is equipped with a motor-protective thermostat. If your vacuum overheats, the thermostat will automatically turn the suction motor off. Perform the following steps to restart the thermostat:

1. Turn vacuum off and unplug it.
2. Empty dust cup and clean filters (see Emptying the Dust Cup and Cleaning the Filters).
3. Check for blockages in hose, accessories, and inlet openings.
4. Allow unit to cool for a minimum of 45 minutes.
5. Plug in vacuum and turn it on.

For all other issues, please call a service center.

## REFURBISHED PRODUCT LIMITED NINETY DAYS WARRANTY

The **Refurbished Product Service Center** offers the following WARRANTY to the ORIGINAL purchaser of a product which we have refurbished.

This product that has been refurbished is warranted against any electronic or mechanical defects for a period of NINETY DAYS from the date of the original purchase by the consumer. Since this unit was sold as a refurbished item, the warranty does not apply to any cosmetic appearance items such as scratches. Should a defect occur, the **Refurbished Product Service Center** will repair or, at its option, replace defective unit/parts with new or rebuilt materials without charge for either parts or labor. Replacement unit/parts will be warranted for the remaining portion of the original warranty period.

This warranty does not cover installation or damage from accident, misuse, abuse, improper wiring, incorrect voltage, operating the unit against the instructions in the owner's manual or any product which has been opened, altered, or tampered with.

This warranty does not cover costs for removal and or installation of the unit for repair. Under no circumstances shall the service center be liable for any special, incidental or consequential damages or for any other expenses incurred by reason of use or sale of this product. This warranty is in lieu of any other warranties expressed or implied warranty of merchantability of fitness for particular use or otherwise.

This warranty gives the consumer specific legal rights and they may also have other rights which vary from State to State. Some States do not follow the exclusion or limitation of incidental or consequential damages, hence the above exclusion and limitations may not apply.

**Refurbished Product Service Center**  
13225 Marquardt Avenue Santa Fe Springs, CA 90670.

## WARRANTY REPAIR INFORMATION

If you need service on your unit and this product requires repair during the 90 days warranty period; please go to [www.ConsumerServiceRefurbish.com](http://www.ConsumerServiceRefurbish.com) or call the **Refurbished Product Service Center** at 562-946-3531 to obtain the required return authorization (RA) number. Pack the unit properly (the original carton is ideal for this purpose) along with a copy of your purchase receipt and a letter describing the problem. Send the unit freight prepaid and insured to:

**Refurbished Product Service Center,**  
Att: Customer Service Department 13225 Marquardt Avenue Santa Fe Springs, CA 90670

Your unit will be promptly repaired and returned to you. We will refuse to accept delivery of the returned unit unless the assigned RA number appears on the outside of the shipping carton.

**Owner's Information**  
(Keep for your permanent records)

NAME: \_\_\_\_\_  
ADDRESS: \_\_\_\_\_  
CITY: \_\_\_\_\_ STATE: \_\_\_\_\_ ZIP CODE: \_\_\_\_\_  
PHONE: \_\_\_\_\_ E-MAIL: \_\_\_\_\_  
MODEL: \_\_\_\_\_ SERIAL NO.: \_\_\_\_\_



PRINTED IN MEXICO Elbrd: Y.T.  
OBPN: UV650\_IB\_MP\_Mv3  
SC: 07-21-2020\_TAB MODEL: UV650\_BP



Please be sure to read the enclosed Shark® Owner's Guide prior to using your unit.

804009840

# Shark Navigator™

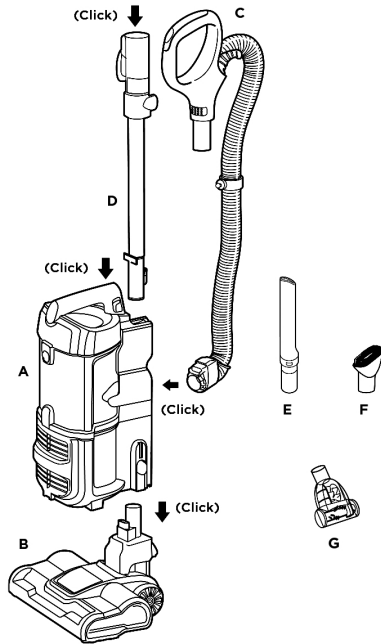
## LIFT-AWAY®

### QUICK START GUIDE

#### WHAT'S INSIDE

- A** Vacuum Pod
- B** Motorized Floor Nozzle
- C** Handle & Hose
- D** Wand
- E** Crevice Tool
- F** Dusting Brush
- G** Pet Power Brush

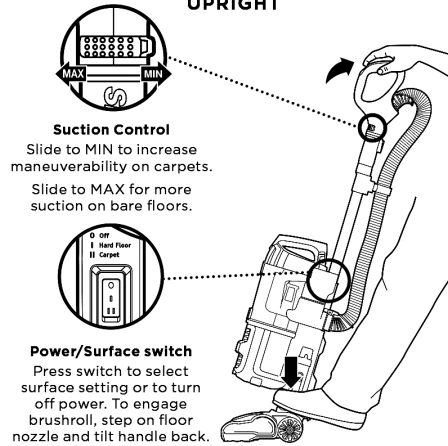
#### ASSEMBLY



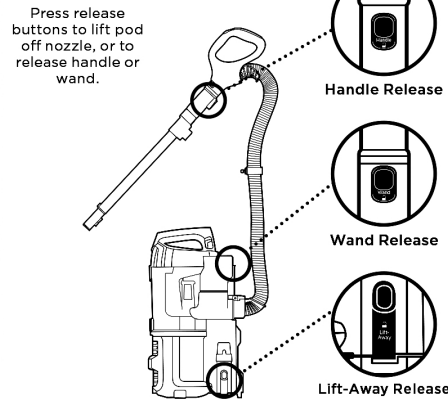
**NOTE:** For proper operation, ensure all parts are firmly **CLICKED** into place.

#### TWO WAYS TO CLEAN

##### UPRIGHT

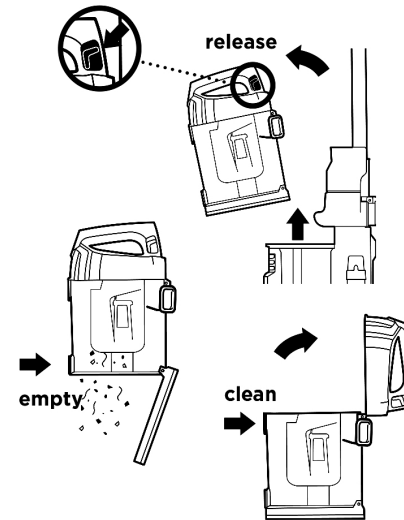


##### LIFT-AWAY®



#### EMPTYING THE DUST CUP

Empty the dust cup after each use.

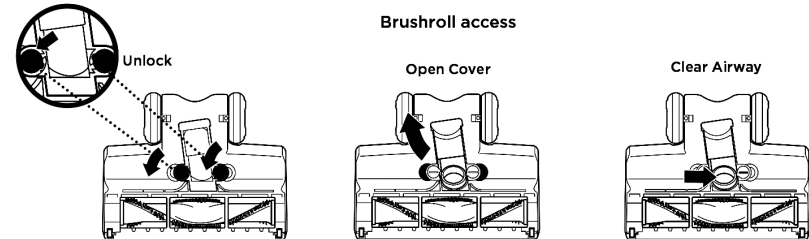


**MAINTENANCE:** Rinse pre-motor filters every 3 months, and HEPA filter once a year. Rinse with water only, and allow to air-dry completely before reinstalling. See enclosed Owner's Guide for more information on how to clean and replace the filters.

#### TIPS

- For quick cord access, rotate upper hook down and remove cord.
- Move cord hook to upright position to secure cord in place.
- To store your vacuum, wrap cord around upper and lower hooks.

#### CHECKING FOR BLOCKAGES



Using a coin, turn locks counterclockwise to open, then lift off cover to access brushroll. Clear blockages from airway. Replace cover, pressing down firmly on all sides before turning locks clockwise to close.

**Note:** The images shown here are for illustrative purpose only and may vary.



804009840

PRINTED IN MEXICO      Elbrd: Y.T.  
OBPN: UV650\_QSG\_MP\_Mv6\_191004  
SC: 07-22-2020\_1P      MODEL: UV650\_BP