



Please read this guide carefully before operating your unit and retain for future reference.

805001351 [QUICK GUIDE]

To download your copy of the complete Owner's Manual:  
<http://consumerservicerefurbish.com>

Click on: Download Owners Manual  
 On Manufacturer or Brand, select: LG  
 On Product Type, select: TV  
 On Model Number, select: 32MN500M / 32MN50W / 32MN60T

**REFURBISHED PRODUCT LIMITED NINETY DAYS WARRANTY**

The **Refurbished Product Service Center** offers the following WARRANTY to the ORIGINAL purchaser of a product which we have refurbished.

This product that has been refurbished is warranted against any electronic or mechanical defects for a period of NINETY DAYS from the date of the original purchase by the consumer. Since this unit was sold as a refurbished item, the warranty does not apply to any cosmetic appearance items such as scratches. Should a defect occur, the **Refurbished Product Service Center** will repair or, at its option, replace defective unit/parts with new or rebuilt materials without charge for either parts or labor. Replacement unit/parts will be warranted for the remaining portion of the original warranty period.

This warranty does not cover installation or damage from accident, misuse, abuse, improper wiring, incorrect voltage, operating the unit against the instructions in the owner's manual or any product which has been opened, altered, or tampered with.

This warranty does not cover costs for removal and or installation of the unit for repair. Under no circumstances shall the service center be liable for any special, incidental or consequential damages or for any other expenses incurred by reason of use or sale of this product. This warranty is in lieu of any other warranties expressed or implied warranty of merchantability of fitness for particular use or otherwise.

This warranty gives the consumer specific legal rights and they may also have other rights which vary from State to State. Some States do not follow the exclusion or limitation of incidental or consequential damages, hence the above exclusion and limitations may not apply.

**Refurbished Product Service Center**  
 13225 Marquardt Avenue Santa Fe Springs, CA 90670.

**WARRANTY REPAIR INFORMATION**

If you need service on your unit and this product requires repair during the 90 days warranty period; please go to [www.ConsumerServiceRefurbish.com](http://www.ConsumerServiceRefurbish.com) or call the **Refurbished Product Service Center** at 562-946-3531 to obtain the required return authorization (RA) number. Pack the unit properly (the original carton is ideal for this purpose) along with a copy of your purchase receipt and a letter describing the problem. Send the unit freight prepaid and insured to:

**Refurbished Product Service Center,**  
 Att: Customer Service Department 13225 Marquardt Avenue Santa Fe Springs, CA 90670

Your unit will be promptly repaired and returned to you. We will refuse to accept delivery of the returned unit unless the assigned RA number appears on the outside of the shipping carton.

**Owner's Information**

(Keep for your permanent records)

NAME: \_\_\_\_\_  
 ADDRESS: \_\_\_\_\_  
 CITY: \_\_\_\_\_  
 STATE: \_\_\_\_\_  
 ZIP CODE: \_\_\_\_\_  
 PHONE: \_\_\_\_\_  
 E-MAIL: \_\_\_\_\_  
 MODEL: \_\_\_\_\_  
 SERIAL NO.: \_\_\_\_\_

**REGULATORY INFORMATION**

**SAFETY INSTRUCTIONS**

- Please make sure the device is installed near the wall outlet to which it is connected and that the outlet is easily accessible.
- As long as this unit is connected to the AC wall outlet, it is not disconnected from the AC power source even if the unit is turned off.
- Be sure to use power cords and AC adapters provided or approved by LG Electronics, Inc.
- Do not use this display near water such as near a bathtub, washbowl, kitchen sink, laundry tub, in a wet basement, or near a swimming pool.
- Displays are provided with ventilation openings in the cabinet to allow the release of heat generated during operation. If these openings are blocked, built-up heat can cause failures which may result in a fire hazard. Therefore, NEVER:
  - Block the bottom ventilation slots by placing the display on a bed, sofa, rug, etc.
  - Place the display in a built-in enclosure unless proper ventilation is provided.
  - Cover the openings with cloth or other material.
  - Place the display near or over a radiator or heat source.
- Make sure the power cord connects to a properly grounded outlet.
- The symbol ~ means alternating current, and the symbol — means direct current.
- To prevent injury, this apparatus must be securely attached to the wall in accordance with the installation instructions when installing on a wall.
- To reduce the risk of fire or explosion, do not replace the battery by an incorrect type. Dispose of used batteries according to the instructions.

**LG TAKE-BACK & RECYCLING POLICY**

LG Electronics offers a customized e-waste take-back & recycling service that meets local needs and requirements in the countries where e-waste regulations are in place, and also provides product take-back & recycling service voluntarily in some regions. LG Electronics evaluates products' recyclability at the design step selectively, with the goal of improving recyclability where practicable. Through these activities, LG Electronics seeks to contribute to conserving natural resources and protecting the environment. For more information, please visit our global site at <https://www.lg.com/global/recycling>

**FCC COMPLIANCE STATEMENT**

This equipment has been tested and found to comply within the limits of a Class B digital device pursuant to Part 15 of the FCC Rules. These limits are designed to provide reasonable protection against harmful interference in a residential installation.

This equipment generates, uses, and can radiate radio frequency energy and if not installed and used in accordance with the instructions, may cause harmful interference to radio communications. However, there is no guarantee that interference will not occur in a particular installation.

If this equipment does cause harmful interference to radio or television reception (which can be determined by turning the equipment on and off), the user is encouraged to try to correct the interference by using one or more of the following measures:

- Reorient or relocate the receiving antenna.
- Increase the separation between the equipment and the receiver.
- Connect the equipment into an outlet on a circuit different from that to which the receiver is connected.
- Consult the dealer or an experienced radio/TV technician for help.

Caution: Any changes or modifications in construction of this device are not expressly approved by the party responsible for compliance could void the user's authority to operate the equipment.

**WIRELESS**

**FCC Compliance Statement**

This equipment has been tested and found to comply with the limits for a Class B digital device, pursuant to Part 15 of the FCC Rules. These limits are designed to provide reasonable protection against harmful interference in a residential installation. This equipment generates, uses, and can radiate radio frequency energy and, if not installed and used in accordance with the instructions, may cause harmful interference to radio communications. However, there is no guarantee that interference will not occur in a particular installation. If this equipment does cause harmful interference to radio or television reception, which can be determined by turning the equipment off and on, the user is encouraged to try to correct the interference by one or more of the following measures:

- Reorient or relocate the receiving antenna.
- Increase the separation between the equipment and the receiver.
- Connect the equipment to an outlet on a circuit different from that to which the receiver is connected.
- Consult the dealer or an experienced radio/TV technician for help.

This device complies with part 15 of the FCC Rules. Operation is subject to the following two conditions: (1) this device may not cause harmful interference and (2) this device must accept any interference received, including interference that may cause undesired operation. Any changes or modifications in construction of this device which are not expressly approved by the party responsible for compliance could void the user's authority to operate the equipment.

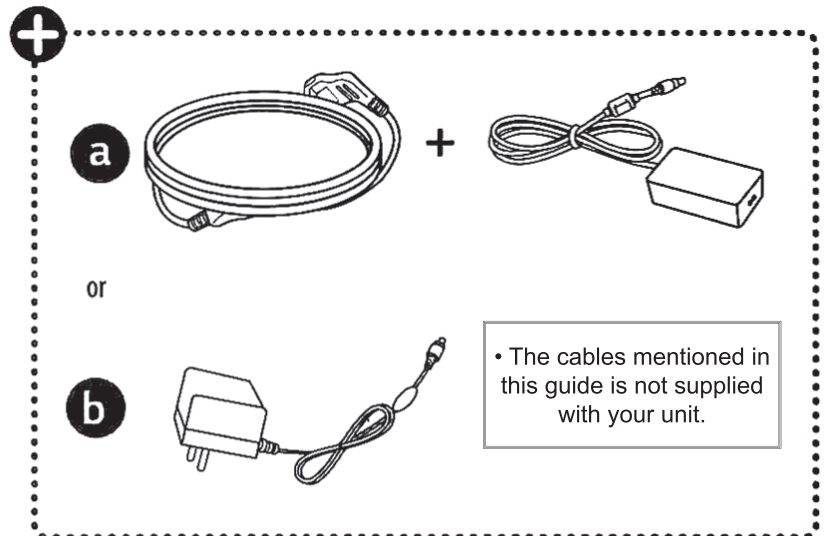
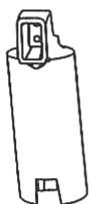
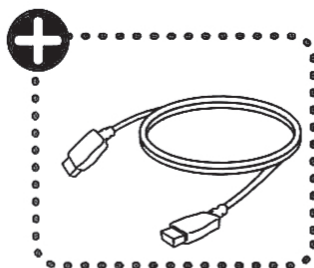
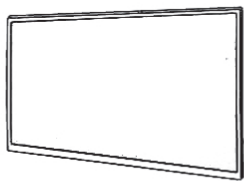
**FCC Radio Frequency Interference Requirements (for UNII devices)**

High power radars are allocated as primary users of the 5.25 to 5.35 GHz and 5.65 to 5.85 GHz bands. These radar stations can cause interference with and/or damage this device. This device cannot be co-located with any other transmitter.

**FCC RF Radiation Exposure Statement**

[For having wireless function (WLAN, Bluetooth,...)]

This equipment complies with FCC radiation exposure limits set forth for an uncontrolled environment. This transmitter must not be co-located or operating in conjunction with any other antenna or transmitter. This equipment should be installed and operated with minimum distance 20 cm (7.8 inches) between the antenna and your body. Users must follow the specific operating instructions for satisfying RF exposure compliance.



Accessory type and quantity may vary depending on the model.

The image shown here is for illustrative purposes only and may be subject to change.

**+** Depending on country



- For EPEAT (EPEAT applied model)  
 Spare parts are available for 5 years after the end of production.  
 Spare parts include base assembly, adapter and cables.  
 It may differ by model, you can get the more information by visiting to this website:  
<https://lg.encompass.com/>



It is recommended that use the supplied components.

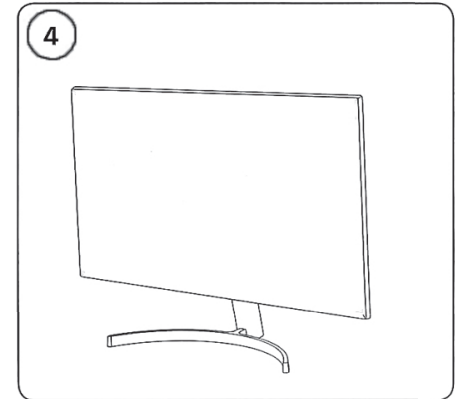
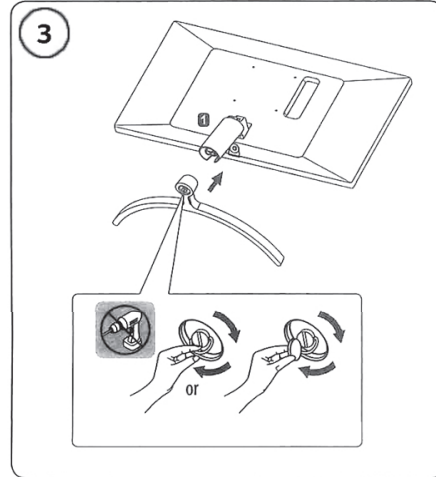
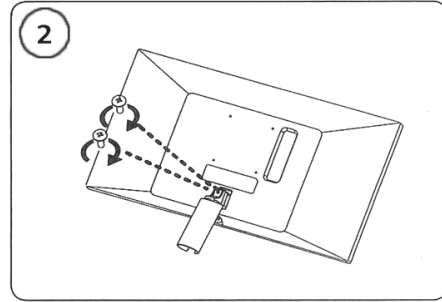
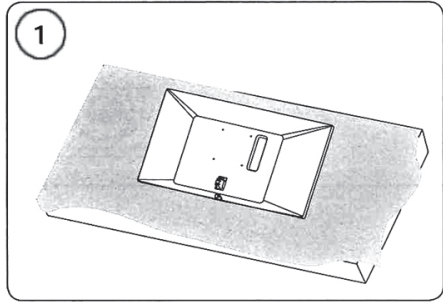
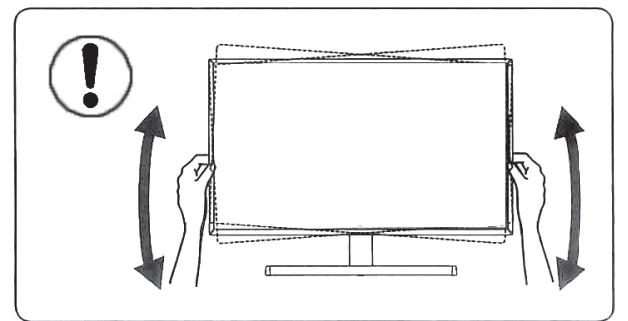
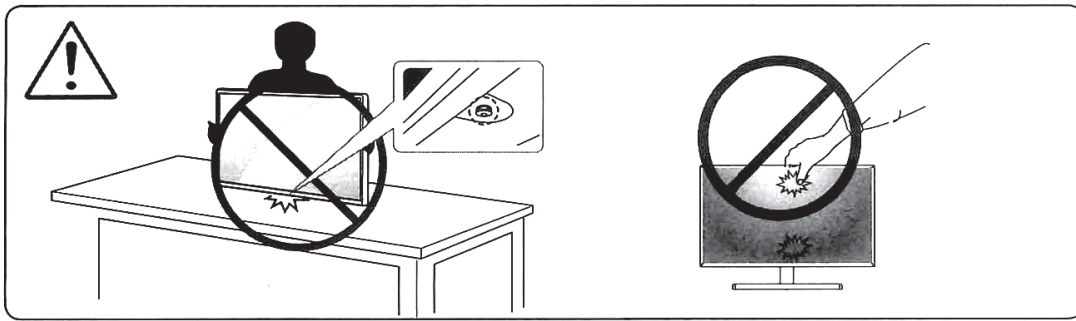
**Quick Setup Guide**

Please read this manual carefully before operating your set and retain it for future reference.

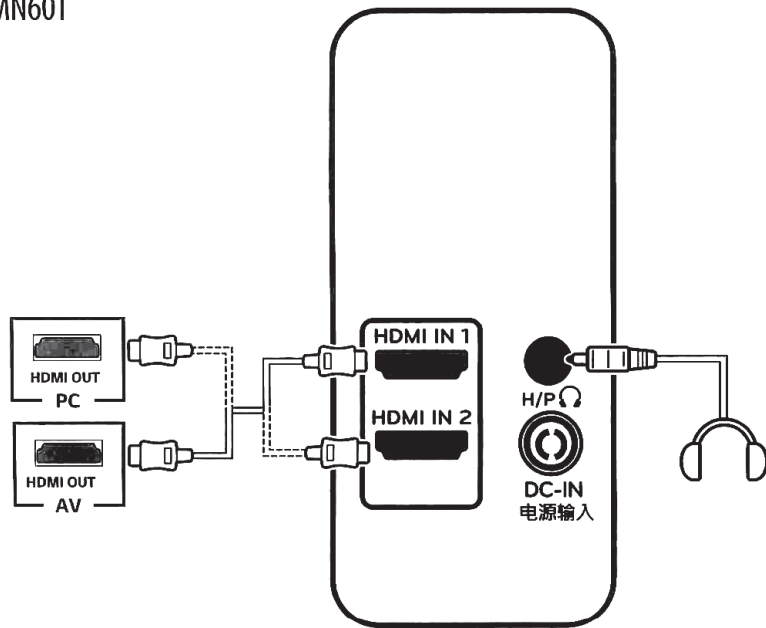


[www.lg.com](http://www.lg.com)

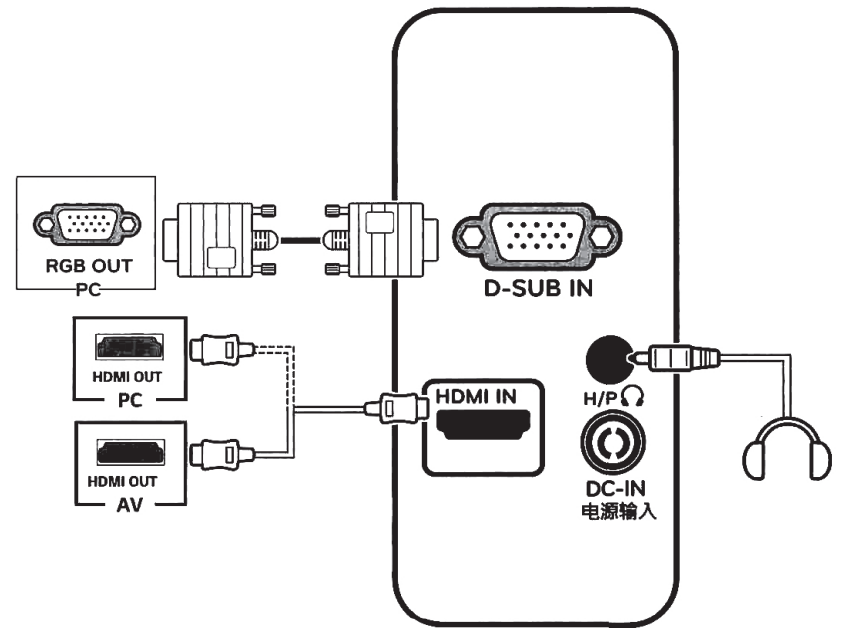
You can download manuals from the LGE website.



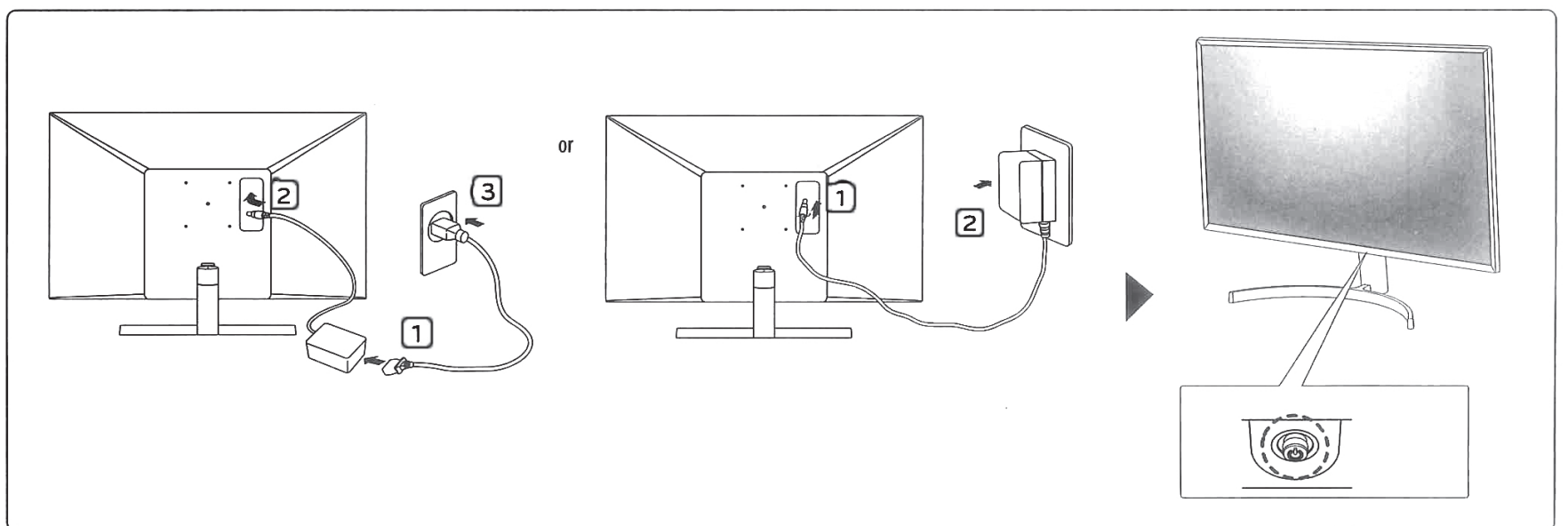
32MN500M  
32MN60T



32MN50W



- Using a DVI to HDMI / DP (DisplayPort) to HDMI cable may cause compatibility issues.
- Make sure to use the supplied cable. Otherwise, this may cause the device to malfunction.



English	Dimensions (Width x Height x Depth)		Weight		Recommend Resolution
	With Stand	Without Stand:	With Stand	Without Stand	
	729.4 x 513.3 x 209.3(mm) 28.7 x 20.2 x 8.2 (inches)	729.4 x 430.3 x 45.0 (mm) 28.7 x 16.9 x 1.7 (inches)	5.6 kg (12.3 lbs)	5.2 kg (11.4 lbs)	1920 x 1080 @ 60 Hz



8 0 5 0 0 1 3 5 1

PRINTED IN MEXICO  
SHNMDL: 3MN500M\_B Add: 32MN50W / 32MN60T  
2P / Elbrd:J.E. / SC: 07-17-2023 / OBPN: \*MBM67239272\*