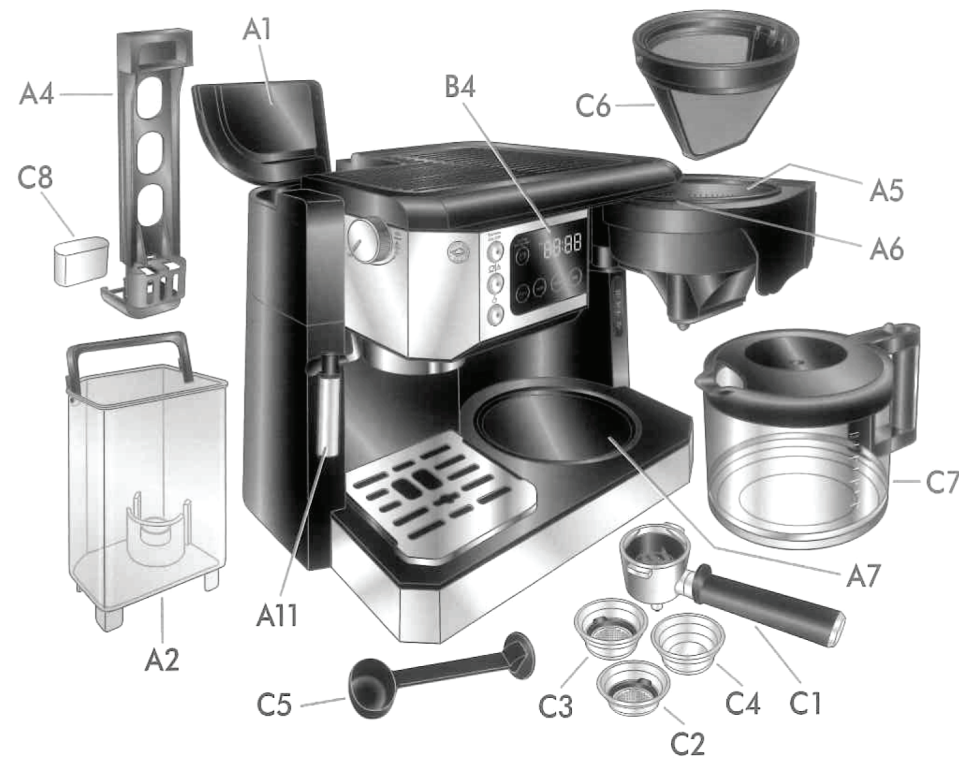


IN THE BOX

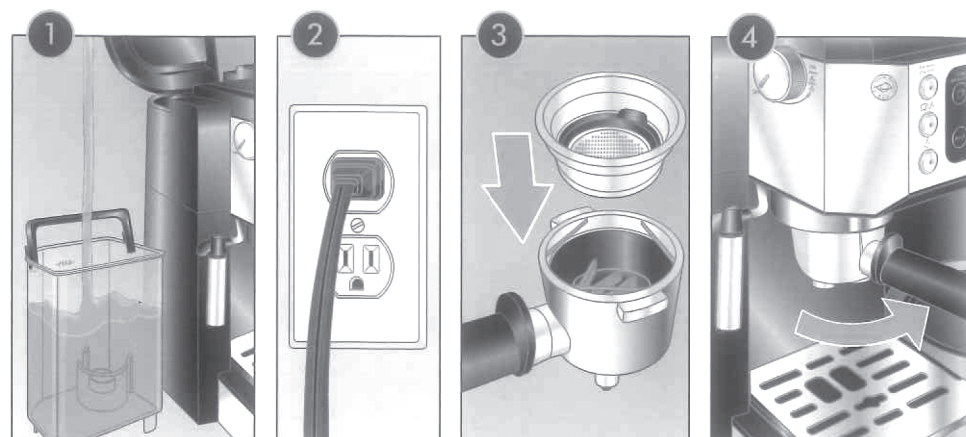


- A1. Espresso water tank lid
- A2. Espresso removable water tank
- A4. Antichlorine filter support
- A5. Filter-holder for drip coffee
- A6. Water fill compartment
- A7. Drip coffee warming plate
- A11. Frother

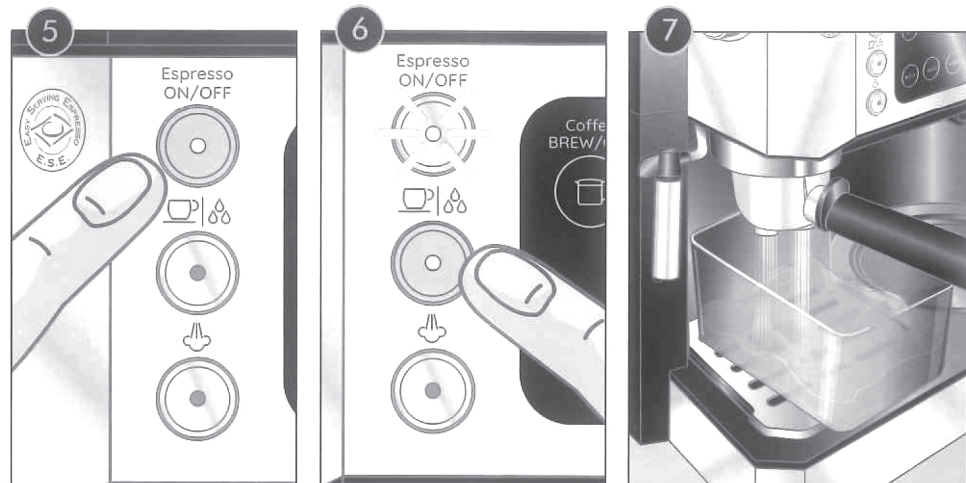
- B4. Display
- C1. Espresso portafilter
- C2. One-cup filter
- C3. Two-cups espresso filter
- C4. Filter for espresso pods
- C5. Coffee measure with presser
- C6. Permanent gold tone filter
- C7. Drip coffee carafe
- C8. Antichlorine filter

Note: The image shown here is for illustrative purposes only and may be subject to change. The actual number of accessories may vary depending on the model.

MACHINE SET UP



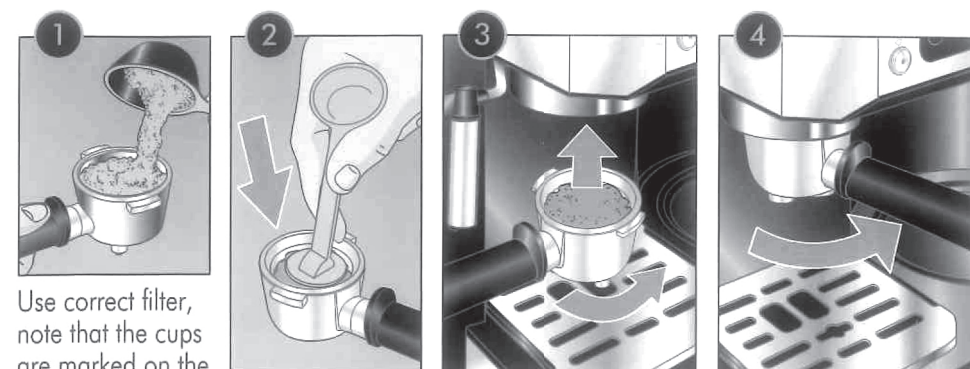
1. Remove water tank, fill with water and replace.
 2. Put espresso filter into the espresso portafilter.
 3. Turn espresso portafilter to the right to lock into position.



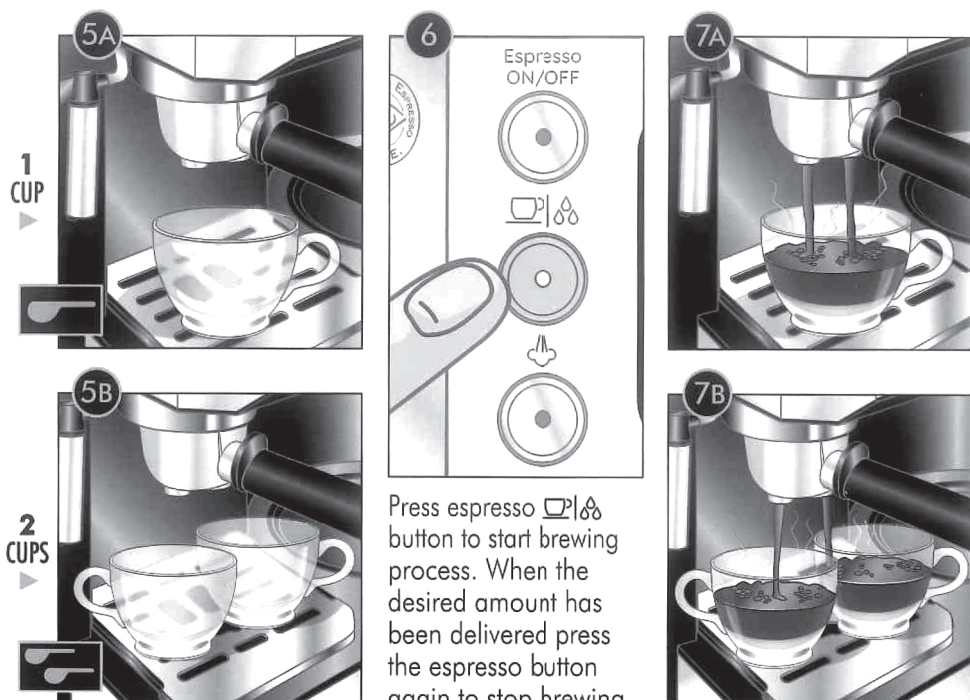
5. To turn on machine, push **Espresso ON/OFF** button on the left side.
 6. When **Espresso ON/OFF** light is solid, press espresso button to start coffee delivery. Press espresso button to stop.
 7. Wait until water is completely delivered then press espresso/hot water button to stop the flow.

Machine is now ready to work!

BREWING ESPRESSO



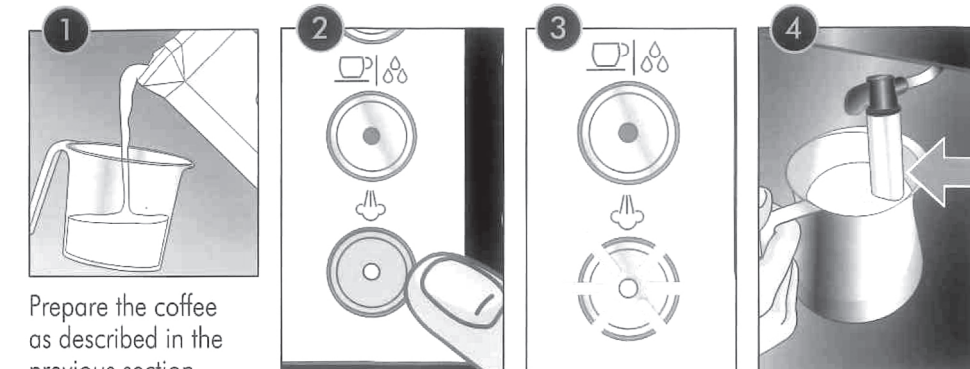
1. Use correct filter, note that the cups are marked on the bottom of the filter.
 2. Tamp the coffee.
 3. Attach portafilter holder in place into boiler outlet.
 4. Turn portafilter holder to right to lock into position.



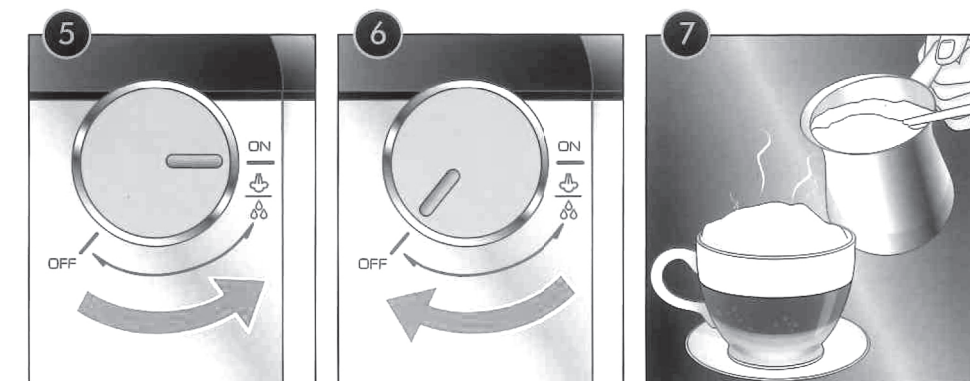
5A. 1 CUP
 5B. 2 CUPS
 6. Press espresso button to start brewing process. When the desired amount has been delivered press the espresso button again to stop brewing.
 7A. Brew 1 or 2 Espresso at one time.
 7B. Brew 1 or 2 Espresso at one time.

BREWING CAPPUCCINO OR LATTE

Refer to previous section BREWING ESPRESSO for the espresso related part.



1. Prepare the coffee as described in the previous section. Brew in a larger cup. Fill 1/3 of the pitcher, 3.5 oz. for Cappuccino, 6 oz. for Latte.
 2. Press steam button.
 3. Wait for the steam button light to turn on.
 4. Be sure the frother is immersed in milk, but not beyond the hole in the frothing wand.



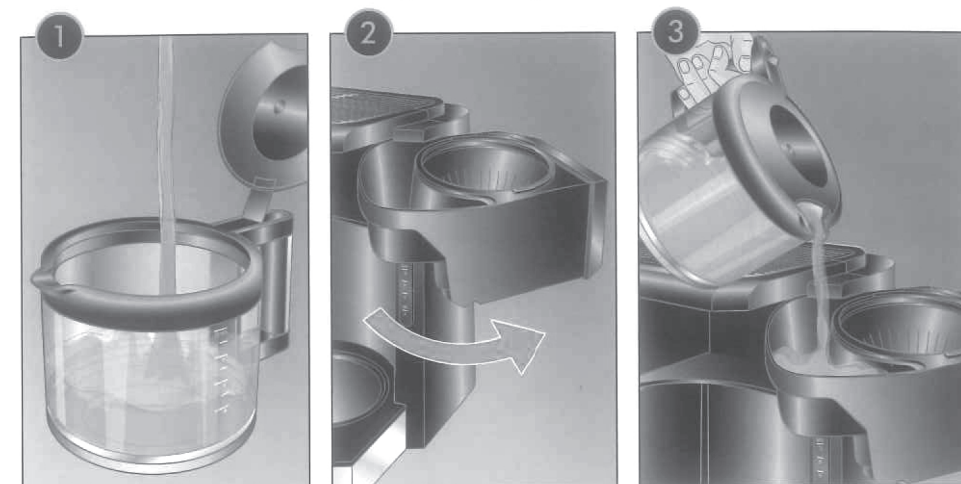
5. Turn the steam dial counter-clockwise to **ON** to release the steam.
 6. When the desired level of foam is reached, turn the steam dial clockwise to **OFF** to stop the steam.
 7. Pour the milk over the espresso and enjoy!

Tip for the BEST CAPPUCCINO

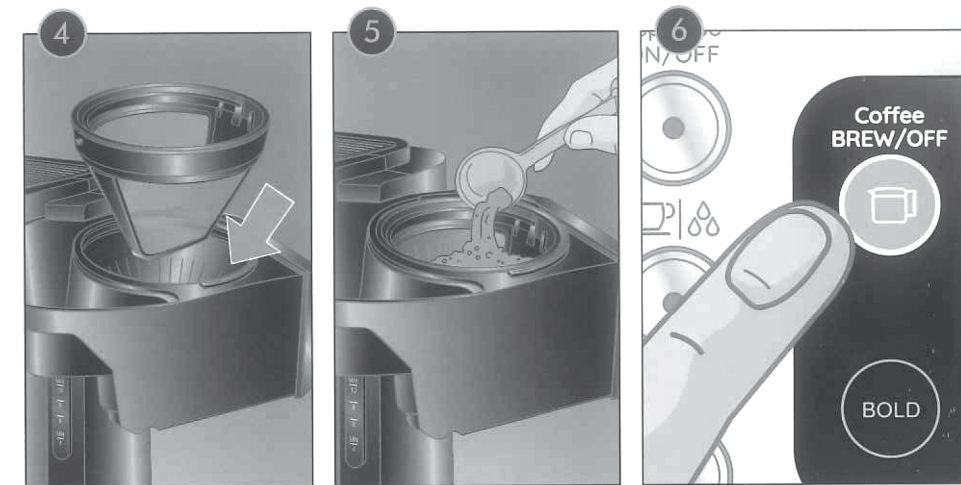
Use Whole or 2% Milk at Refrigerator Temperature (about 41F/5C)

BREWING DRIP COFFEE

For first use, brew a full carafe without using coffee grounds.



1. Remove coffee pot, fill with desired amount of water.
 2. Open the water fill compartment.
 3. Pour water into water reservoir then replace coffee pot onto warming plate.



4. Place gold tone coffee filter into filter reservoir.
 5. Add desired amount of coffee into coffee filter.
 6. Press **ON** button to start brewing process.

DRIP COFFEE

Setting the CLOCK



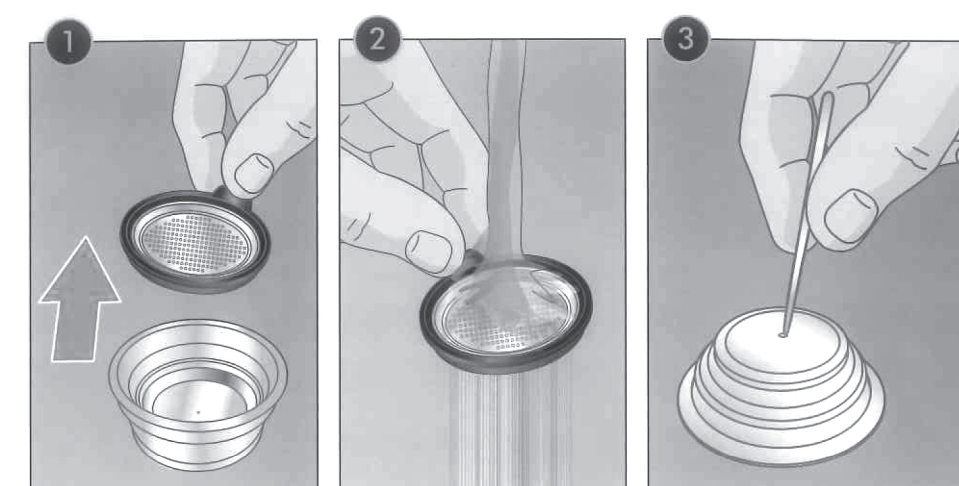
1. Press and hold **HOUR** button for 3 seconds until the hours flash on the display. Push the button repeatedly until desired time is set.
 2. To set minutes press the **MIN** button repeatedly until desired time is set.

Programming the AUTO Start

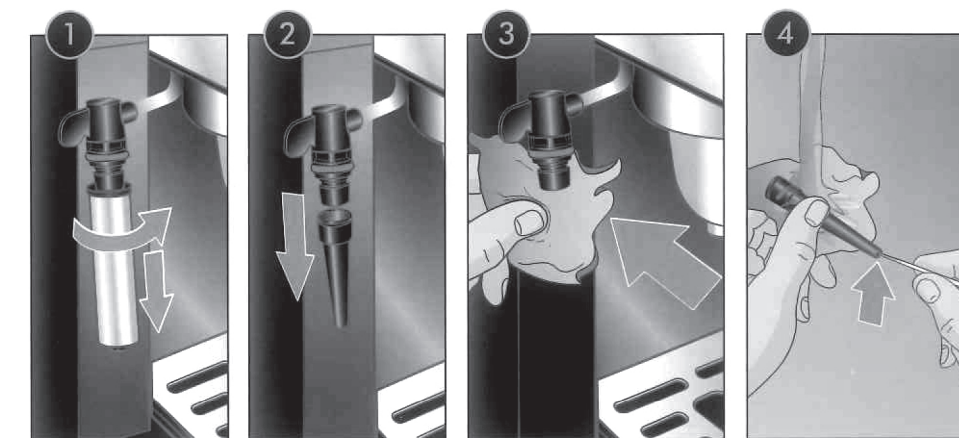


1. Press and hold **AUTO** button for 3 seconds until the display flashes.
 2. Press **HOUR** and/or **MIN** buttons repeatedly until desired time is set.
 3. To activate/deactivate auto program, press **AUTO** button.

MAINTENANCE



1. Remove the perforated inner filter.
 2. Rinse filter under water, make sure filter holes are not blocked.
 3. If necessary clean with a pin or needle.



1. Unscrew the frother by rotating counterclockwise and pulling downwards.
 2. Remove the nozzle from the steam tube by pulling it downwards.
 3. Thoroughly clean steam nozzle with cloth and warm water.
 4. Clean nozzle with warm running water and use a needle to clean the hole.

NOTE: In order to ensure the highest possible standard for refurbished items, all units are thoroughly inspected as part of the process. For this item, water may be used during the refurbishing process and so; you may notice some condensation in the water reservoir. It is recommended to rinse the water reservoir with fresh water prior to its first use.

