

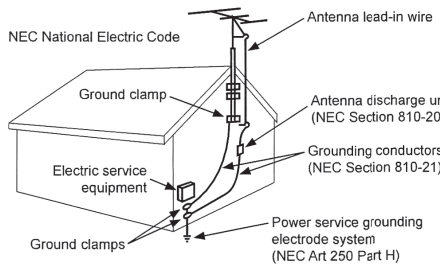


It's important to read this manual prior to using your new product for the first time.

## SYSTEM INSTALLATION AND ELECTRICAL REQUIREMENTS

### Electrical Code

Note: To the display system installer: This reminder is provided to call attention to Article 820-44 of the National Electric Code that provides guidelines for proper grounding and, in particular, specifies that the cable ground shall be connected to the grounding system of the facility. Outlet shall be installed near the equipment and shall be easily accessible.



Note: Installation shall incorporate UL Listed external surge protection rated 2500 Vpk or less, for 150 to 300 Vac mains, installed in accordance with Article 285 of ANSI/NFPA 70 or applicable local codes.

### Power Source

The display must be connected to a mains socket outlet with a protective grounding connection.

The mains plug is used as the disconnect device and shall remain readily accessible.

Electrical installation shall be in accordance with the applicable parts of Chapter 8 of ANSI/NFPA70.

An outdoor antenna should not be located near overhead electrical lines or any electrical circuits.

If an outside antenna is connected to the receiver, confirm that the antenna system is grounded to protect against voltage surges and built up static charges. Section 810 of the National Electric Code, ANSI/NFPA No 70-1984, provides information with respect to proper grounding for the mast and supporting structure, grounding of the lead-in wire to an antenna discharge unit, size of grounding conductors, location of antenna discharge unit, connection to grounding electrodes and requirements for the grounding electrode.

This display operates on 100-240 volts 50-60 Hz, AC current. Insert the power cord into a 120 volt 60 Hz outlet. Never connect the display to direct current or anything other than the specified voltage.

To prevent electric shock from the display, do not use with an extension cord, receptacle, or other outlet unless the blades and ground terminal can be fully inserted to prevent blade exposure.

All secondary lines must be routed through grounded conduit and kept separate from AC line.

### FCC CAUTION

To assure continued compliance and possible undesirable interference, ferrite cores may be used when connecting this display to video equipment; maintain at least 400mm (15.75 inches) spacing to other peripheral devices.

### FCC STATEMENT

This equipment has been tested and found to comply with the limits for a Class B digital device, pursuant to Part 15 of the FCC Rule. These limits are designed to provide reasonable protection against harmful interference in a residential installation. This equipment generates, uses and can radiate radio frequency energy and, if not installed and used in accordance with these instructions, may cause harmful interference to radio communications; however, there is no guarantee that interference will not occur in a particular installation. If this equipment does cause harmful interference to radio or television reception, which can be determined by turning the equipment off and on, the user is encouraged to try to correct the interference by one or more of the following measures:

1. Reorient or relocate the receiving antenna.
2. Increase the separation between the equipment and receiver.
3. Connect the equipment into an outlet on a circuit different from that to which the receiver is connected.
4. Consult the dealer or an experienced radio/display technician for help.

This device complies with Part 15 of the FCC Rules. Operation is subject to the following two conditions:

- This device may not cause harmful interference.
- This device must accept any interference received, including interference that may cause undesired operation.

## GENERAL SAFETY PRECAUTIONS

### Read before operating equipment

Thank you for purchasing our product. Before using it, please read this user guide carefully and follow the instructions for safe operation. Please keep this manual for future reference and always include it when transferring or transporting this product to a different location.

### WARNING

In case of emergency such as fire or electric shock caused by the product, immediately contact 911 or proper emergency police/fire service agencies in your country.

To reduce the risk of electric shock or fire, heed the following:

- In case of product malfunction or unusual events such as electrical burning smell, smoke, or loss of content signals due to internal overheating, immediately turn off, unplug the electrical cord and contact the manufacturer.
- Do NOT disassemble, modify or service product in any way other than that contained in this instruction. Any unauthorized modifications made to the product automatically void product warranty.
- Do NOT touch antenna lines or wires, electrical cables or plugs when lightning or thunder is present or with wet hands
- Do NOT submerge in water.
- Do NOT destroy, process, or place close to any heat source.
- Do NOT install near poisonous gas or chemically unstable atmosphere.
- Do NOT install near strong magnetic or electrical current field.
- Do NOT install the product in unstable locations or near moving objects, constantly vibrating equipment, or uneven surfaces.
- Do NOT leave any fire source, such as candles, close to or on the product.
- Do NOT operate the product if it has been dropped or struck. Severe physical impact to the product may cause components to fall out of place within and break.
- Do NOT bend or twist electrical cords, electrical plugs, cables, or wires with excessive force.
- Do NOT block ventilation slots or place any heavy object on the product.
- Use properly rated electrical voltage.
- Do NOT use any electrical sockets or power strips with many other devices jointly plugged in. Use a single, directly dedicated and rated GFCI electrical outlet for the product for safe operation.
- Do NOT move or transport with any cables (electrical, content connectivity) plugged in to the source devices.
- Always connect the electrical plug firmly and completely. When disconnecting any cables, always pull on the plug and not the cord.
- Always leave the power off when plugging or unplugging the electrical cords or connection cables.
- Do not defeat the safety purpose of the polarized or grounding type electrical plug. A polarized plug has two blades with one wider than the other. A grounding type plug has two blades and a third grounding prong. The wide blade or the third prong are provided for your safety. If the provided plug does not fit into your outlet, consult an electrician for replacement of the obsolete outlet.
- Protect the electrical cord from being walked on or pinched particularly at plugs, convenience receptacles, and the point where they exit from the apparatus.

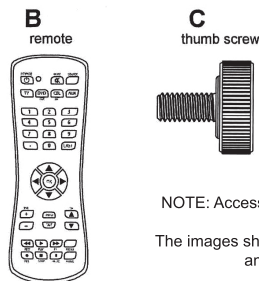
### WARNING

- Never apply pressure to the exterior of the LCD screen.
- If monitor or glass is broken, do not come in contact with the liquid crystal and handle with care.
- Do NOT climb on the product.
- Do NOT install within five feet from a body of water.
- Do NOT use if ambient air temperature exceeds the operating limits.
- Do NOT install in enclosure or recessed cavity with less than 2 inches of airflow around the display. Air inside fully encased display must be ventilated.
- The product is to be secured to building before operation.
- Product must be carried and supported by at least two persons.
- Periodically clean dust off the electrical plug to keep it clean and dry, ensuring proper and safe operation.
- Only use attachments/accessories specified by the manufacturer.

## SET UP INSTRUCTIONS

### Parts List

| Description                       |
|-----------------------------------|
| A television                      |
| B remote (Batteries not included) |
| C thumb screw (preinstalled)      |

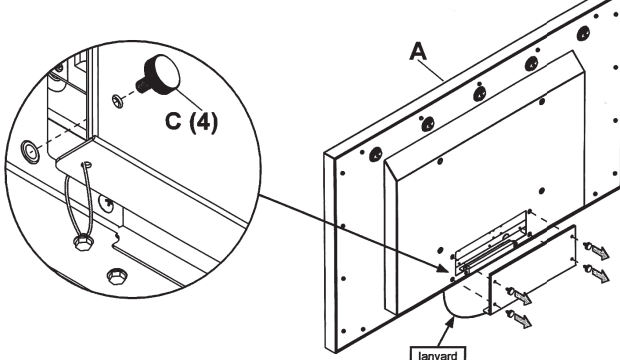


NOTE: Accessories may vary depending on the model.

The images shown here are for illustrative purposes only and may be subject to change.

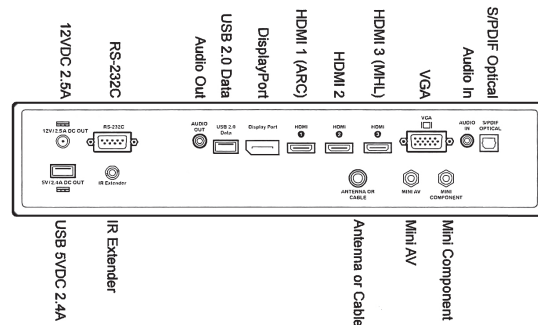
### Removing Cord Cover

Remove (4) thumb screws (C) and cord cover plate to access source connection panel. Do not disconnect lanyard.



### Connecting Cords

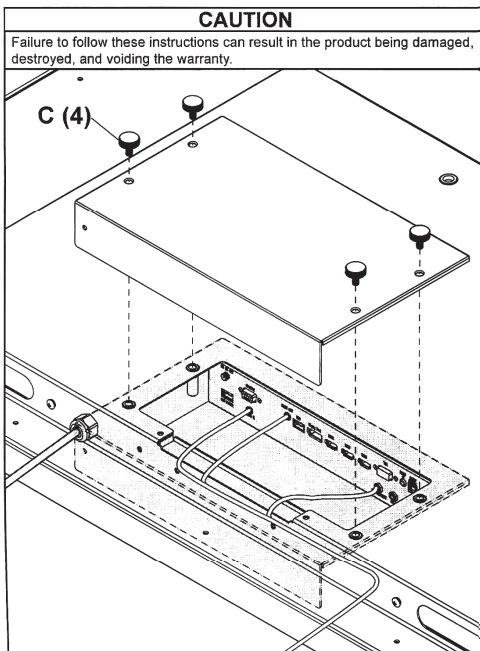
Connect source devices to appropriate display input. Make all connections prior to powering on the display. The USB 2.0 Data port is for service and media only. For 5VDC power, use the 5VDC power port.



The actual descriptions of control panel and their locations may vary depending on the model.

### Replacing Cord Cover

1. Run cables across foam gasket block. Leave approximately 1/2" (13mm) between cables to ensure a proper seal.
2. Replace cord cover plate and (4) thumb screws (C). Fasten thumb screws until gasket on cord cover plate is fully compressed to back of television. Cables will seal between TV's gasket and cord cover's gasket as cover is pressed into place. Route cables through opening at end of cord cover.



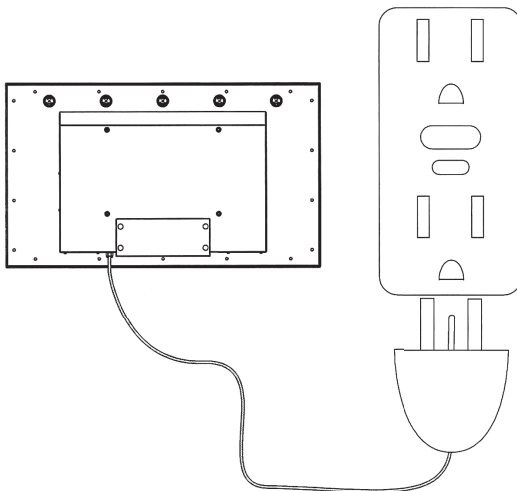
### CAUTION

- Ensure cord bend radius does not exceed limits set by the manufacturer.
- Ensure cords are seated properly in the cable channels to avoid potential damage to cords when rear cover plate is installed.
- Do not remove lanyard that connects the rear cover plate to the display.



### Connect To The Power Source

Connect power cord to GFCI outlet.



### Prepare The Display For Mounting

Install cords prior to mounting your display. Input panel may be obstructed once the display is mounted.

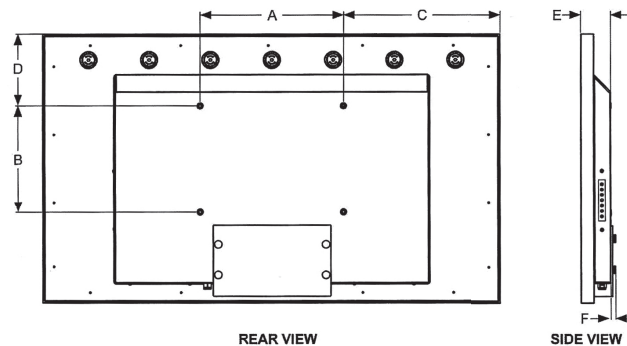
A mounting solution is sold separately. Contact your Peerless-AV representative for an outdoor rated mounting solution for your particular application.

For your safety, only install an outdoor-rated mount that is suitable for the application and supports the weight of the display. When mounting a display outdoors, use proper environmentally rated mounts to ensure longevity in harsh environments.

Examine the chart below to determine the mounting specifications for your display:

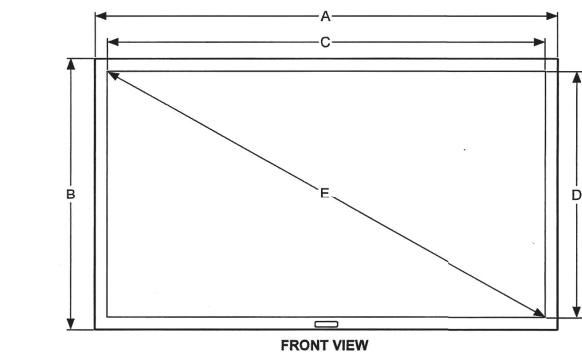
| Part     | Mounting Hole Pattern | Required Mounting Screws |
|----------|-----------------------|--------------------------|
| ODTV4901 | 400x200mm             | (4) M8 screws            |
| ODTV5501 | 400x300mm             | (17.4mm long)            |
| ODTV6501 | 400x400mm             |                          |

| Part     | A              | B              | C              | D             | E            | F           |
|----------|----------------|----------------|----------------|---------------|--------------|-------------|
| ODTV4901 | 15.75" (400mm) | 7.87" (200mm)  | 14.69" (373mm) | 8.38" (213mm) | 3.34" (85mm) | .81" (16mm) |
| ODTV5501 | 15.75" (400mm) | 11.81" (300mm) | 17.37" (441mm) | 7.93" (201mm) | 3.34" (85mm) | .81" (16mm) |
| ODTV6501 | 15.75" (400mm) | 15.75" (400mm) | 21.69" (551mm) | 8.39" (213mm) | 3.39" (86mm) | .81" (16mm) |



### Prepare The Display For Mounting

| Part     | A               | B              | C               | D               | E               |
|----------|-----------------|----------------|-----------------|-----------------|-----------------|
| ODTV4901 | 45.13" (1146mm) | 26.64" (677mm) | 42.3" (1074mm)  | 23.8" (605mm)   | 48.28" (1226mm) |
| ODTV5501 | 50.50" (1283mm) | 29.66" (753mm) | 47.66" (1211mm) | 26.833" (681mm) | 54.62" (1387mm) |
| ODTV6501 | 59.00" (1501mm) | 34.53" (877mm) | 56.28" (1429mm) | 31.68" (805mm)  | 64.19" (1630mm) |

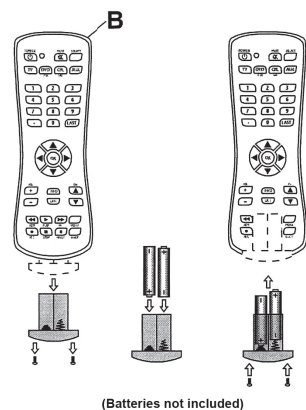


### Remote Control Battery Installation And Replacement

The remote control is powered by two 1.5V AAA batteries installed at the factory.

To install or replace batteries:

1. To remove the battery module of the remote control, remove the two screws on the end of the battery module. Slide the battery module out of the remote control.
2. Insert two new "AAA" size batteries into the battery module.
3. Slide the battery module back into the remote control and reinsert the two screws in the end of the battery module.



### CAUTION

Incorrect usage of batteries can result in leaks or bursting. Peerless-AV recommends the following battery use:

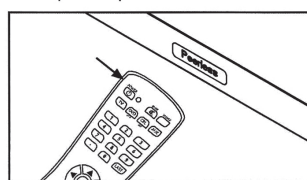
- Do not mix battery brands.
- Do not combine new and old batteries. This can shorten the battery life or cause battery acid leaks.
- Remove dead batteries immediately to prevent battery acid from leaking into the battery compartment.
- Do not touch exposed battery acid as it may injure skin.
- Remove the batteries if you do not intend to use the remote control for a long period of time.
- Do not expose the batteries to excessive heat from sunlight, fire or other heat sources or batteries could explode.
- Fully tighten screws to maintain the ingress protection rating of the remote.

## OPERATING INSTRUCTIONS

### Power On/Off The Display

Power on your TV by using the remote control or the rear power button on the side of the TV. The TV will power on but image may not appear for several seconds as it completes its power up sequence.

Point the remote control at the IR sensor located behind the Peerless-AV logo at the center of the TV and press the power button



### Onboard Controls

**Direct Mode:** Allows for quick access to source selection, volume settings and channel selection.

**Menu Mode:** Press the Menu button to access Menu Mode and activate the On Screen Display (OSD). For a description of OSD operation refer to the next section.

The keypad buttons are assigned as indicated in the table below.

| Menu Mode | Direct Mode  |       |
|-----------|--------------|-------|
| On/Off    | On/Off       | Power |
| OK        | Input Select | I     |
| Menu      | Menu         | Menu  |
| Up        | Channel Up   | Up    |
| Down      | Channel Down | Down  |
| Right     | Volume Up    | VOL+  |
| Left      | Volume Down  | VOL-  |

## Navigating The On Screen Menu

### Channel

|                      |                                           |
|----------------------|-------------------------------------------|
| <b>Air / Cable</b>   | Choose between antenna and cable          |
| <b>Auto Scan</b>     | Searches for available channels           |
| <b>Favorite</b>      | Shows favorite channels                   |
| <b>Show/Hide</b>     | Show or hide channels                     |
| <b>Channel No.</b>   | Displays list of channels                 |
| <b>Channel Label</b> | Change channel names                      |
| <b>DTV Signal</b>    | Displays channel info and signal strength |

### Audio

|                                 |                                                  |
|---------------------------------|--------------------------------------------------|
| <b>Equalizer</b>                | Standard<br>Music<br>Movie<br>Sports<br>Personal |
| <b>120 Hz</b>                   | 50                                               |
| <b>500 Hz</b>                   | 50                                               |
| <b>1.5 kHz</b>                  | 50                                               |
| <b>5 kHz</b>                    | 50                                               |
| <b>10 kHz</b>                   | 50                                               |
| <b>Balance</b>                  | 50                                               |
| <b>Digital Output (Optical)</b> | PCM / Raw / Off                                  |
| <b>Surround</b>                 | On / Off                                         |
| <b>Audio Only</b>               | On / Off                                         |
| <b>AVC</b>                      | On / Off                                         |

### Time

|                    |                                                                                  |
|--------------------|----------------------------------------------------------------------------------|
| <b>Sleep Timer</b> | off 60 min<br>5 min 90 min<br>10 min 120 min<br>15 min 180 min<br>30 min 240 min |
| <b>Time Zone</b>   | Atlantic Pacific<br>Eastern Alaska<br>Central Hawaii<br>Mountain Korean          |
| <b>Time Format</b> | 12-hour<br>24-hour                                                               |
| <b>Auto Sync</b>   | On / Off                                                                         |
| <b>Clock</b>       | Enter Current Time                                                               |
| <b>Wake Up</b>     | Enter desired time when display will turn on<br>*One Time Event                  |

### Lock

|                         |                                                                        |
|-------------------------|------------------------------------------------------------------------|
| <b>System Lock</b>      | Enter Password to enter System Lock settings<br>Default Password: 0000 |
| <b>Change password</b>  | Allows the password to be changed                                      |
| <b>System Lock</b>      | On / Off                                                               |
| <b>Input Block</b>      | TV, AV, Component, DP, HDMI 1, HDMI 2, HDMI 3, PC, USB                 |
| <b>US</b>               | TV, MPAA                                                               |
| <b>Canada</b>           | Canadian English, Canadian French                                      |
| <b>RRT Setting</b>      |                                                                        |
| <b>Reset RRT</b>        |                                                                        |
| <b>Unrated</b>          | On / Off                                                               |
| <b>Hotel Mode</b>       | Enter password to enter hotel mode settings<br>Default Password: 0000  |
| <b>Hotel Mode</b>       | On / Off                                                               |
| <b>Change Password</b>  | Allows the password to be changed                                      |
| <b>Picture Mode</b>     | Standard, Dynamic, Theater, Personal                                   |
| <b>Sound Mode</b>       | Standard, Music, Movie, Sports, Personal                               |
| <b>Key Lock</b>         | On / Off                                                               |
| <b>Power On Source</b>  | TV, AV, Component, DP, HDMI 1, HDMI 2, HDMI 3, PC, USB, Save           |
| <b>Air / Cable</b>      | Air, Cable                                                             |
| <b>Power On Channel</b> | Set channel that display will tune to when powered on: 1-135           |
| <b>Power On Volume</b>  | Set volume that display will output when turned on: 0-100              |

### Picture

|                                |                                                 |
|--------------------------------|-------------------------------------------------|
| <b>Picture Mode</b>            | Theater<br>Personal<br>Standard<br>Dynamic      |
| <b>Color Temp.</b>             | Normal<br>Warm<br>Cool<br>Personal              |
| <b>HDMI Mode</b>               | Video Mode<br>PC Mode                           |
| <b>Zoom Mode</b>               | 4:3<br>16:9<br>Cinema<br>Zoom<br>Point to Point |
| <b>Backlight</b>               | 0 - 100                                         |
| <b>DLC (Dynamic Backlight)</b> | On / Off                                        |
| <b>Color Range</b>             | Auto<br>0 - 255<br>16 - 235                     |
| <b>3DNR</b>                    | Off<br>Weak<br>Middle<br>Strong                 |

### Setup

|                                 |                                                                             |
|---------------------------------|-----------------------------------------------------------------------------|
| <b>Menu Languages</b>           | English / Spanish / French                                                  |
| <b>Transparent</b>              | 0% 75%<br>25% 100%<br>Transparency) 50%                                     |
| <b>Closed Caption</b>           |                                                                             |
| <b>CC Mode</b>                  | CC Off / CC On / CC On Mute                                                 |
| <b>Analog CC</b>                | CC1 / CC2 / CC3 / CC4 / Text 1 / Text 2 / Text 3 / Text 4                   |
| <b>Digital CC</b>               | Off / Service 1 / Service 2 / Service 3 / Service 4 / Service 5 / Service 6 |
| <b>Restore Defaults</b>         | Factory reset all options                                                   |
| <b>Setup Wizard</b>             |                                                                             |
| <b>Software Update</b>          | Yes / No                                                                    |
| <b>CEC</b>                      |                                                                             |
| <b>CEC Control</b>              | On / Off                                                                    |
| <b>Device Auto Power Off</b>    | On / Off                                                                    |
| <b>TV Auto Power On</b>         | On / Off                                                                    |
| <b>Audio Receiver</b>           | On / Off                                                                    |
| <b>Device Lists</b>             | Lists connected CEC devices                                                 |
| <b>Connect</b>                  | (future use)                                                                |
| <b>Root Menu</b>                | Menu of connected source device                                             |
| <b>EDID Switch</b>              | 1.4, 2.0                                                                    |
| <b>No Signal Auto Power Off</b> | On / Off / Backlight                                                        |

### Setup

|                     |       |
|---------------------|-------|
| <b>COM Settings</b> |       |
| <b>Baud Rate</b>    | 38400 |
| <b>Data Bits</b>    | 8     |
| <b>Parity</b>       | None  |
| <b>Stop Bits</b>    | 1     |

## USB Functionality

**3** Select media type and folder where content is stored.

PHOTO MUSIC MOVIE TEXT

Return C

**4**

**Photos** – To view a single photo, select photo and press play. To view a slide show, select multiple photos and press play. Use on screen menu to control slide show.

**Music** – To listen to a single song, select song and press play. To listen to a playlist, select multiple songs and press play. Use on screen menu to control playlist.

**Movies** – To view a single video, select video and press play. To view a playlist, select multiple videos and press play. Use on screen menu to control playlist.

**Text** – To view to a single text file, select file and press play. To view a playlist, select multiple files and press play. Use on screen menu to control playlist.

Navigate Enter Exit Return

## (RS-232C) Serial Control Of The Display

Attach an RS-232C cable (straight through type) to the supplied D-Sub RS-232C to utilize serial control function. Control via RS232 should only be utilized by experts familiar with RS232 programming.

|               |                        |                   |                        |
|---------------|------------------------|-------------------|------------------------|
| Menu:         | A0, F0, 55, FF, 4E, B1 | Mute:             | A0, F0, 55, FF, 14, EB |
| Right:        | A0, F0, 55, FF, 05, FA | Sleep:            | A0, F0, 55, FF, 53, AC |
| OK:           | A0, F0, 55, FF, 02, FD | AV:               | A0, F0, 55, FF, ED, 12 |
| Down:         | A0, F0, 55, FF, 0D, F2 | VGA:              | A0, F0, 55, FF, EA, 15 |
| Up:           | A0, F0, 55, FF, 17, E8 | HDMI Toggle:      | A0, F0, 55, FF, EC, 13 |
| Left:         | A0, F0, 55, FF, 0C, F3 | HDMI1:            | A0, F0, 55, FF, DE, 21 |
| Source:       | A0, F0, 55, FF, 01, FE | HDMI2:            | A0, F0, 55, FF, DF, 20 |
| (1):          | A0, F0, 55, FF, 42, BD | HDMI3:            | A0, F0, 55, FF, E0, 1F |
| (2):          | A0, F0, 55, FF, 43, BC | DisplayPort:      | A0, F0, 55, FF, E4, 1B |
| (3):          | A0, F0, 55, FF, 0F, F0 | TV:               | A0, F0, 55, FF, E8, 17 |
| (4):          | A0, F0, 55, FF, 1E, E1 | DTV:              | A0, F0, 55, FF, E9, 16 |
| (5):          | A0, F0, 55, FF, 1D, E2 | Component:        | A0, F0, 55, FF, E7, 18 |
| (6):          | A0, F0, 55, FF, 1C, E3 | USB:              | A0, F0, 55, FF, 57, A8 |
| (7):          | A0, F0, 55, FF, 18, E7 | PMODE:            | A0, F0, 55, FF, 4B, B4 |
| (8):          | A0, F0, 55, FF, 45, BA | Zoom:             | A0, F0, 55, FF, 51, AE |
| (9):          | A0, F0, 55, FF, 4C, B3 | S.MODE:           | A0, F0, 55, FF, 5B, A4 |
| (0):          | A0, F0, 55, FF, 6E, A9 | VOL 0%:           | A0, F0, 55, FF, 20, DF |
| Exit:         | A0, F0, 55, FF, 1B, E4 | VOL 25%:          | A0, F0, 55, FF, 21, DE |
| Power On:     | A0, F0, 55, FF, AE, 51 | VOL 50%:          | A0, F0, 55, FF, 22, DD |
| Power Off:    | A0, F0, 55, FF, AD, 52 | VOL 75%:          | A0, F0, 55, FF, 23, DC |
| Power On/Off: | A0, F0, 55, FF, 0B, F4 | VOL 100%:         | A0, F0, 55, FF, 24, DB |
| Volume +:     | A0, F0, 55, FF, 0A, F5 | Brightness 0%:    | A0, F0, 55, FF, 25, DA |
| Volume -:     | A0, F0, 55, FF, 40, BF | Brightness 25%:   | A0, F0, 55, FF, 26, D9 |
| Channel +:    | A0, F0, 55, FF, 55, AA | Brightness 50%:   | A0, F0, 55, FF, 27, D8 |
| Channel -:    | A0, F0, 55, FF, 5A, A5 | Brightness 75%:   | A0, F0, 55, FF, 28, D7 |
| Surround:     | A0, F0, 55, FF, C7, 38 | Brightness 100%:  | A0, F0, 55, FF, 29, D6 |
| CC:           | A0, F0, 55, FF, 44, BB | Dash:             | A0, F0, 55, FF, 2E, D1 |
| EPG:          | A0, F0, 55, FF, 49, B6 | Channel Fav List: | A0, F0, 55, FF, 1A, E5 |
| Info:         | A0, F0, 55, FF, 50, AF | Channel List:     | A0, F0, 55, FF, 59, A6 |
| MTS:          | A0, F0, 55, FF, 11, EE | Channel Return:   | A0, F0, 55, FF, 15, EA |

## MAINTENANCE

### Care Of The Screen

Do not rub or strike the screen with anything hard as this may scratch, mark, or even damage the screen permanently. Ensure that the TV is installed in a location where it will be safe from abrasives and flying debris, which could damage the LCD panel. Never use ammonia or any product containing ammonia, as it will damage the anti-glare coating on the face of the display. Only use an approved screen cleaner to clean the display face. Dust the display by wiping the screen and the cabinet with a soft, clean cloth. If the screen requires additional cleaning, use a clean, damp cloth. Do not use aerosol cleaners or solvents of any kind. Do not use any chemical such as paint thinner or benzene to clean the product's exterior. It may cause scratches on the surface, erasing proper indications, identification labels, or instructions on the exterior, which may cause misuse and improper operation of the product.

### Mobile Telephone Caution

Keep your mobile telephone away from your display to avoid disturbances in the picture or sound, possibly causing permanent damage to your display.

### End Of Life Directives

In an effort to produce environmentally friendly products, your new display contains materials that can be recycled and reused. At the end of your display's life, specialized companies can minimize display waste by separating reusable materials from non-reusable materials. Please ensure you dispose of your display according to local regulations.

Specifications subject to change without notice

|                                     |                                                 |
|-------------------------------------|-------------------------------------------------|
| <b>Display</b>                      |                                                 |
| <b>Screen Size (diagonal)</b>       | ODTV4901: 49"<br>ODTV5501: 55"<br>ODTV6501: 65" |
| <b>Aspect Ratio</b>                 | 16:9                                            |
| <b>Resolution</b>                   | 3840 x 2160                                     |
| <b>Brightness</b>                   | 350 cd/m <sup>2</sup>                           |
| <b>Contrast Ratio</b>               | 1100:1                                          |
| <b>Viewing Angle</b>                | 178° vertical / horizontal                      |
| <b>Response Time (gray to gray)</b> | 8ms                                             |
| <b>Refresh Rate</b>                 | 60 Hz                                           |
| <b>Power</b>                        |                                                 |
| <b>AC Input</b>                     | 100 VAC to 240 VAC,<br>50 to 60 Hz              |
| <b>Environmental</b>                |                                                 |
| <b>Operating Temperature</b>        | -22° F to 122° F<br>(-30° C to 50° C)           |
| <b>Storage Temperature</b>          | -4° F to 140° F<br>(-20° C to 60° C)            |
| <b>IP Rating</b>                    | IP55                                            |
| <b>Safety/EMC</b>                   | FCC Class B                                     |

|                                         |                                                                    |
|-----------------------------------------|--------------------------------------------------------------------|
| <b>TV Controller Features</b>           |                                                                    |
| <b>Analog TV</b>                        | NTSC                                                               |
| <b>Digital TV</b>                       | ATSC / QAM 256                                                     |
| <b>Picture Adjustment</b>               | Brightness / Contrast / Tint / Sharpness / Noise Reduction / Color |
| <b>Picture Mode</b>                     | Standard, Dynamic, Theater, Personal                               |
| <b>Color Temperature Adjustment</b>     | Cool, Normal, Warm, Personal                                       |
| <b>Screen Adjustment</b>                | 16:9 / Full / Zoom / 4:3 / Point to Point                          |
| <b>Clock, Sleep Timer</b>               | Yes                                                                |
| <b>MTS</b>                              | Yes                                                                |
| <b>V-chip</b>                           | Yes                                                                |
| <b>Closed Caption</b>                   | Yes                                                                |
| <b>Electronic Program Guide</b>         | Yes                                                                |
| <b>Noise Reduction</b>                  | Yes                                                                |
| <b>3-D Comb Filter and De-interlace</b> | Yes                                                                |
| <b>Mute</b>                             | Yes                                                                |
| <b>OSD Language</b>                     | English, French, Spanish                                           |

## USB Functionality

**1** Insert USB flash drive into USB 2.0 Data port on the input panel of the display.

**2** Select USB source to access content.

Input Source

- TV
- AV
- Component
- DP
- HDMI1
- HDMI2
- HDMI3
- PC
- USB

## PRODUCT SPECIFICATIONS

Specifications subject to change without notice

|                                     |                                                 |
|-------------------------------------|-------------------------------------------------|
| <b>Display</b>                      |                                                 |
| <b>Screen Size (diagonal)</b>       | ODTV4901: 49"<br>ODTV5501: 55"<br>ODTV6501: 65" |
| <b>Aspect Ratio</b>                 | 16:9                                            |
| <b>Resolution</b>                   | 3840 x 2160                                     |
| <b>Brightness</b>                   | 350 cd/m <sup>2</sup>                           |
| <b>Contrast Ratio</b>               | 1100:1                                          |
| <b>Viewing Angle</b>                | 178° vertical / horizontal                      |
| <b>Response Time (gray to gray)</b> | 8ms                                             |
| <b>Refresh Rate</b>                 | 60 Hz                                           |

|                 |                                    |
|-----------------|------------------------------------|
| <b>Power</b>    |                                    |
| <b>AC Input</b> | 100 VAC to 240 VAC,<br>50 to 60 Hz |

|                              |                                       |
|------------------------------|---------------------------------------|
| <b>Environmental</b>         |                                       |
| <b>Operating Temperature</b> | -22° F to 122° F<br>(-30° C to 50° C) |
| <b>Storage Temperature</b>   | -4° F to 140° F<br>(-20° C to 60° C)  |
| <b>IP Rating</b>             | IP55                                  |
| <b>Safety/EMC</b>            | FCC Class B                           |

|                                         |                                                                    |
|-----------------------------------------|--------------------------------------------------------------------|
| <b>TV Controller Features</b>           |                                                                    |
| <b>Analog TV</b>                        | NTSC                                                               |
| <b>Digital TV</b>                       | ATSC / QAM 256                                                     |
| <b>Picture Adjustment</b>               | Brightness / Contrast / Tint / Sharpness / Noise Reduction / Color |
| <b>Picture Mode</b>                     | Standard, Dynamic, Theater, Personal                               |
| <b>Color Temperature Adjustment</b>     | Cool, Normal, Warm, Personal                                       |
| <b>Screen Adjustment</b>                | 16:9 / Full / Zoom / 4:3 / Point to Point                          |
| <b>Clock, Sleep Timer</b>               | Yes                                                                |
| <b>MTS</b>                              | Yes                                                                |
| <b>V-chip</b>                           | Yes                                                                |
| <b>Closed Caption</b>                   | Yes                                                                |
| <b>Electronic Program Guide</b>         | Yes                                                                |
| <b>Noise Reduction</b>                  | Yes                                                                |
| <b>3-D Comb Filter and De-interlace</b> | Yes                                                                |
| <b>Mute</b>                             | Yes                                                                |
| <b>OSD Language</b>                     | English, French, Spanish                                           |

## REFURBISHED PRODUCT LIMITED NINETY DAYS WARRANTY

The **Refurbished Product Service Center** offers the following WARRANTY to the ORIGINAL purchaser of a product which we have refurbished.

This product that has been refurbished is warranted against any electronic or mechanical defects for a period of NINETY DAYS from the date of the original purchase by the consumer. Since this unit was sold as a refurbished item, the warranty does not apply to any cosmetic appearance items such as scratches. Should a defect occur, the **Refurbished Product Service Center** will repair or, at its option, replace defective unit/parts with new or rebuilt materials without charge for either parts or labor. Replacement unit/parts will be warranted for the remaining portion of the original warranty period.

This warranty does not cover installation or damage from accident, misuse, abuse, improper wiring, incorrect voltage, operating the unit against the instructions in the owner's manual or any product which has been opened, altered, or tampered with.

This warranty does not cover costs for removal and or installation of the unit for repair. Under no circumstances shall the service center be liable for any special, incidental or consequential damages or for any other expenses incurred by reason of use or sale of this product. This warranty is in lieu of any other warranties expressed or implied warranty of merchantability of fitness for particular use or otherwise.

This warranty gives the consumer specific legal rights and they may also have other rights which vary from State to State. Some States do not follow the exclusion or limitation of incidental or consequential damages, hence the above exclusion and limitations may not apply.

**Refurbished Product Service Center**  
13225 Marquardt Avenue Santa Fe Springs, CA 90670.

## WARRANTY REPAIR INFORMATION

If you need service on your unit and this product requires repair during the 90 days warranty period; please go to [www.ConsumerServiceRefurbish.com](http://www.ConsumerServiceRefurbish.com) or call the **Refurbished Product Service Center** at 562-946-3531 to obtain the required return authorization (RA) number. Pack the unit properly (the original carton is ideal for this purpose) along with a copy of your purchase receipt and a letter describing the problem. Send the unit freight prepaid and insured to:

**Refurbished Product Service Center,**  
Att: Customer Service Department 13225 Marquardt Avenue Santa Fe Springs, CA 90670

Your unit will be promptly repaired and returned to you. We will refuse to accept delivery of the returned unit unless the assigned RA number appears on the outside of the shipping carton.

**Owner's Information**  
(Keep for your permanent records)

NAME: \_\_\_\_\_  
ADDRESS: \_\_\_\_\_  
CITY: \_\_\_\_\_  
STATE: \_\_\_\_\_  
ZIP CODE: \_\_\_\_\_  
PHONE: \_\_\_\_\_  
E-MAIL: \_\_\_\_\_  
MODEL: \_\_\_\_\_  
SERIAL NO.: \_\_\_\_\_

8 1 4 1 0 0 0 5 0



PRINTED IN MEXICO Elbrd: J.E. OBPN: N/A  
SC: 03-15-2023\_TAB MODEL: UV700\_BP