

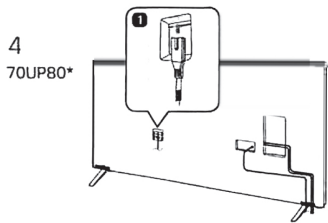
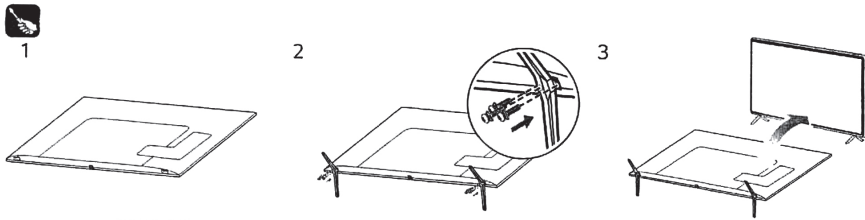
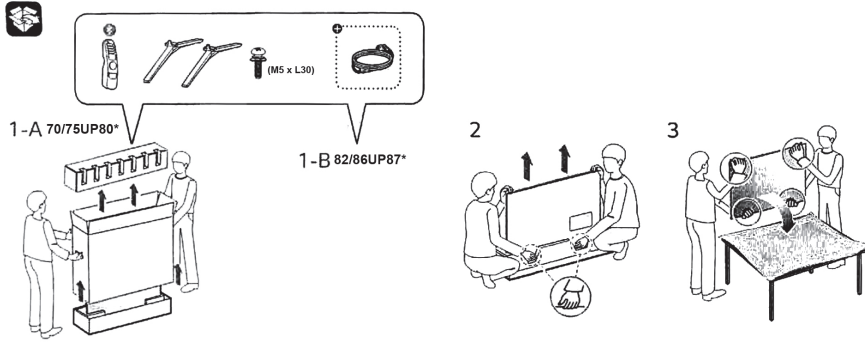






70UP8070PUA 75UP8070PUR  
 70UP8070PUR 82UP8770PUA  
 75UP8070PUA 86UP8770PUA

804006611B

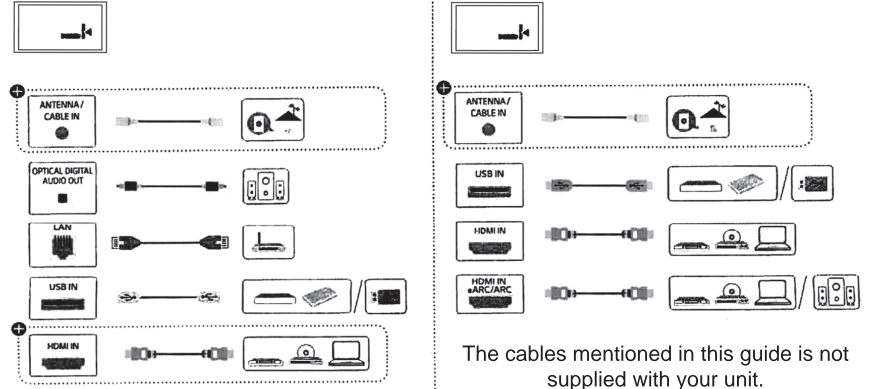


The image shown here is for illustrative purposes only and may be subject to change. The actual number of ports and their locations may vary depending on the model.



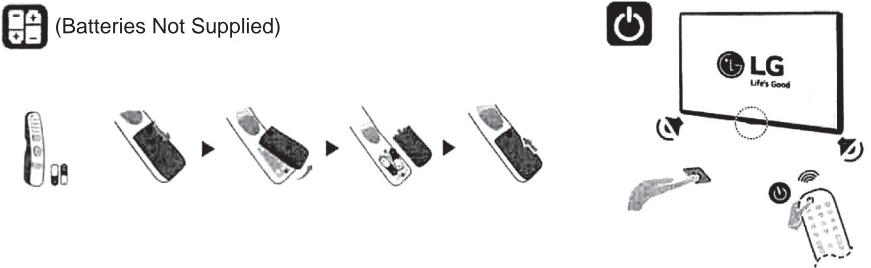
The remote control vary depend of model: The buttons on the remote control may have a different name or location than the remote control shows in this manual.

Easy TV Connect Guide (Animation)

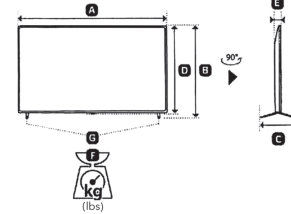


The cables mentioned in this guide is not supplied with your unit.

(Batteries Not Supplied)



mm (inches)  
kg (lbs)



Read Safety and Reference. Easy Setup Guide. Please read this manual carefully before operating your set and retain it for future reference. † : Depending upon model

MODELS	A		B		C		D		E		F		F-G		Power Consumption
70UP8070PUA	1,562 (61.4)	1,562 (61.4)	971 (38.2)	971 (38.2)	362 (14.2)	362 (14.2)	907 (35.7)	907 (35.7)	59.9 (2.3)	59.9 (2.3)	29.1 (64.1)	29.1 (64.1)	28.4 (26.6)	28.4 (26.6)	210 W
75UP8070PUA	1,678 (66)	1,678 (66)	1,027 (40.4)	1,027 (40.4)	362 (14.2)	362 (14.2)	964 (37.9)	964 (37.9)	59.9 (2.3)	59.9 (2.3)	32.1 (70.7)	32.1 (70.7)	31.4 (69.2)	31.4 (69.2)	225 W
82UP8770PUA	1,835 (72.2)	1,835 (72.2)	1,113 (43.8)	1,113 (43.8)	362 (14.2)	362 (14.2)	1,052 (41.4)	1,052 (41.4)	59.9 (2.3)	59.9 (2.3)	42.1 (92.8)	42.1 (92.8)	41.4 (91.2)	41.4 (91.2)	285 W
86UP8770PUA	1,927 (75.8)	1,927 (75.8)	1,167 (45.9)	1,167 (45.9)	362 (14.2)	362 (14.2)	1,104 (43.4)	1,104 (43.4)	59.9 (2.3)	59.9 (2.3)	45.9 (101.1)	45.9 (101.1)	45.2 (99.6)	45.2 (99.6)	
Power requirement											AC 120 V ~ 50/60 Hz				

804006611B



PRINTED IN MEXICO / SC:02-08-2022  
 OBPN: \*MFL71756461\*  
 SHNMDL:86UP8770PUA\_B / 1P / Elbrd:J.E.