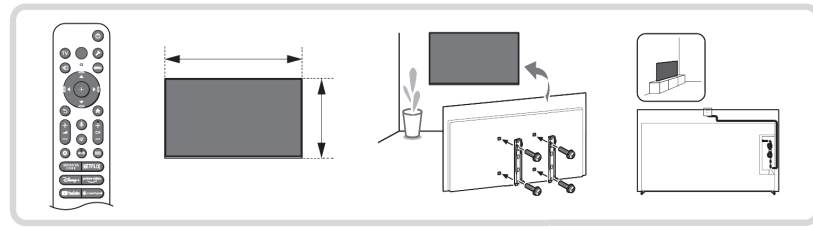
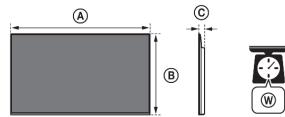


SONY Television

XR-83A80L / 83A80CL / 77A80L
XR-77A80CL / 65A80L / 65A80CL
XR-65A75L / 55A80L / 55A80CL
XR-55A75L

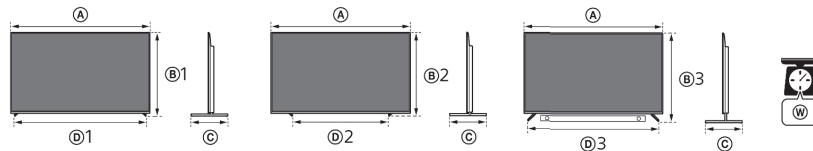


Dimensions and weight (without Table-Top Stand)



*1 (Approx.)

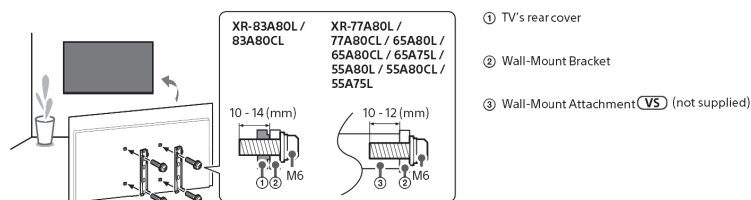
Dimensions and weight (Table-Top Stand)



	(mm)/(inches)*1								(kg)/(lb.)*1
	A	B1	B2	B3	C	D1	D2	D3	
XR-83A80L	1850 / 72 7/8	1072 / 42 1/4	1099 / 43 3/8	1137 / 44 7/8	428 / 16 7/8	1880 / 74 1/8	700 / 27 5/8	1880 / 74 1/8	43.5 / 95.9
XR-83A80CL	1850 / 72 7/8	1072 / 42 1/4	1099 / 43 3/8	1137 / 44 7/8	428 / 16 7/8	1880 / 74 1/8	700 / 27 5/8	1880 / 74 1/8	43.5 / 95.9
XR-77A80L	1722 / 67 7/8	1024 / 40 3/8	1024 / 40 3/8	1066 / 42	389 / 15 3/8	1409 / 55 1/2	619 / 24 3/8	1409 / 55 1/2	37 / 81.5
XR-77A80CL	1722 / 67 7/8	1024 / 40 3/8	1024 / 40 3/8	1066 / 42	389 / 15 3/8	1409 / 55 1/2	619 / 24 3/8	1409 / 55 1/2	37 / 81.5
XR-65A80L	1448 / 57 1/8	862 / 34	862 / 34	904 / 35 5/8	330 / 13	1184 / 46 5/8	847 / 33 3/8	1184 / 46 5/8	24.9 / 54.9
XR-65A80CL	1448 / 57 1/8	862 / 34	862 / 34	904 / 35 5/8	330 / 13	1184 / 46 5/8	847 / 33 3/8	1184 / 46 5/8	24.9 / 54.9
XR-65A75L	1448 / 57 1/8	910 / 35 3/8	-	-	338 / 13 3/8	1052 / 41 1/2	-	-	24.2 / 53.4
	1448 / 57 1/8	910 / 35 3/8	-	-	338 / 13 3/8	1052 / 41 1/2	-	-	24.2 / 53.4
XR-55A80L	1227 / 48 3/8	738 / 29 1/8	738 / 29 1/8	780 / 30 3/4	330 / 13	1184 / 46 5/8	847 / 33 3/8	1184 / 46 5/8	19.5 / 43
XR-55A80CL	1227 / 48 3/8	738 / 29 1/8	738 / 29 1/8	780 / 30 3/4	330 / 13	1184 / 46 5/8	847 / 33 3/8	1184 / 46 5/8	19.5 / 43
XR-55A75L	1227 / 48 3/8	785 / 31	-	-	338 / 13 3/8	1052 / 41 1/2	-	-	19.1 / 42.1
	1227 / 48 3/8	785 / 31	-	-	338 / 13 3/8	1052 / 41 1/2	-	-	19.1 / 42.1

*1 (Approx.)

The length of the screw for Wall-Mount Bracket differs depending on the Wall-Mount Bracket thickness

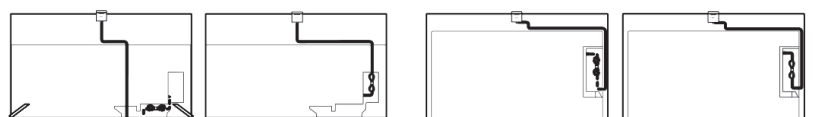


Optional Camera and Microphone Unit (not supplied) Cable Management

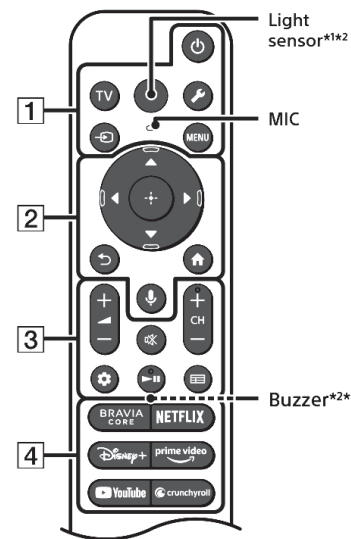


XR-83A80L / 83A80CL

XR-77A80L / 77A80CL / 65A80L / 65A80CL / 65A75L / 55A80L / 55A80CL / 55A75L



EN



(Batteries not included)

The remote control shape, layout, availability and function of remote control buttons may vary depending on your region/country/TV model/TV settings.*4

- Power**
TV: Display TV channel list or switch to input.
Quick settings: Display Quick Settings.
Input: Display and select the input source, etc.
MENU (Control menu): Display the Control menu.
- Navigation and selection**
On screen menu navigation and selection.
Back
Home
Google Assistant / Microphone: Use Google Assistant**5*6.
Mute**7
Channel
Dashboard: Display Dashboard.
Guide: Display the digital program guide of TV or Cable/satellite box**8.
- Volume**
Mute**7
Channel
Dashboard: Display Dashboard.
Guide: Display the digital program guide of TV or Cable/satellite box**8.
- App buttons**

- The remote control backlight will illuminate when the light sensor detects the ambient light is low. Automatic illumination of the backlight can be turned off.
- RMF-TX910U only. To see the model name of the remote control, open the remote control cover and see the label on the remote control.
- The buzzer will emit a sound when you use the remote control finder function. Refer to the online Help Guide for details.
- For other remote control models, refer to the online Help Guide for details.
- Only for limited region/country/model/language.
- Google Assistant requires an Internet connection.
- Accessibility shortcut is available by pressing and holding Mute**7.
- [Cable/Satellite box setup] setting is required.

Note
• Instructions about "Installing the TV to the Wall" are included within this TV's instruction manual.
• Read the supplied safety documentation for additional safety information.

Location of the identification label
Labels for the TV Model No. and Power Supply rating are located on the rear of the TV. They can be found by removing the terminal cover.

IMPORTANT NOTICE FOR MEXICO
Operation of this equipment is subject to the following two conditions: (1) it is possible that this equipment or device may not cause harmful interference and (2) this equipment or device must accept any interference, including interference that may cause undesired operation.

For information related to the certificate number, refer to the package label and / or product.

Note:
This product uses the following module for wireless functionalities:
Model: DHUR-SY63
Brand: Wistron NeWeb Corporation
WLAN:
2.4 GHz (2.4000 GHz – 2.4835 GHz)
5 GHz (5.150 GHz – 5.850 GHz)
Bluetooth®:
2.4 GHz (2.4000 GHz – 2.4835 GHz)

Information for the remote control with voice command included with this product:
Model: RMF-TX810U*
Brand: Sony

Note: Uses the following device for wireless functionalities:
Model: UE878
Brand: UEI

* To see the model name of the remote control, open the remote control cover and see the label on the remote control.

Safety Information

Notice for customers in the United States of America

Supplier's Declaration of Conformity
Model: XR-83A80L / XR-83A80CL / XR-77A80L / XR-77A80CL / XR-65A80L / XR-65A80CL / XR-65A75L / XR-55A80L / XR-55A80CL / XR-55A75L
Responsible Party: Sony Electronics Inc.

Compatible Wall-Mount Bracket Information
Use the following Sony Wall-Mount Bracket with your TV model.

Sony TV Model No.	XR-77A80L / XR-77A80CL / XR-65A80L / XR-65A80CL / XR-65A75L / XR-55A80L / XR-55A80CL / XR-55A75L
Sony Wall-Mount Bracket Model No.	SU-WL855*1

Use with other Wall-Mount Brackets**2 may cause instability and could result in property damage or injury.

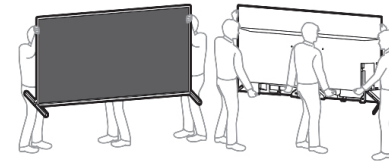
- Only for limited region/country/model.
- For instructions on using the Wall-Mount Bracket with your TV please go to <https://www.sony.com/am/support> for your TV model and download "Wall-Mount Bracket".

Before setting up your TV
Some TV models are packaged with a detached Table-Top Stand so you can mount your TV to a wall right away. See "Installing the TV to the Wall" if you want to mount the TV to a wall. If you are not mounting the TV to a wall, you will need to attach the Table-Top Stand (refer to the Setup Guide).
Be sure to consider the following while setting up your TV:

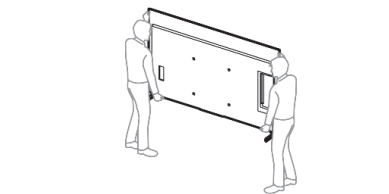
Note
• Instructions about "Installing the TV to the Wall" are included within this TV's instruction manual.
• Read the supplied safety documentation for additional safety information.

- Disconnect all cables when carrying the TV.
- Before transporting the TV set, remove the terminal covers.
- Two or more persons (three or more persons for 209.6 cm (83 inches) and above TV set) are needed to transport a large TV set.
- Correct hand placement while carrying the TV is very important for safety and to avoid damage.
- When handling or mounting the TV set, do not lay down the TV (for applicable TV model only).

XR-83A80L / 83A80CL



XR-77A80L / 77A80CL / 65A80L / 65A80CL / 65A75L / 55A80L / 55A80CL / 55A75L



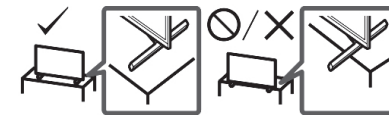
Securing the TV



Sony strongly recommends taking measures to prevent the TV from toppling over. Unsecured TVs may topple and result in property damage, serious bodily injury or even death.

Preventing the TV from Toppling

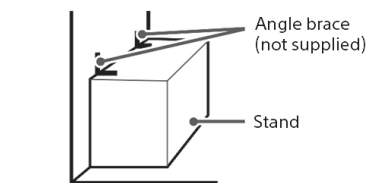
- Secure the TV to a wall and/or Stand.
- Do not allow children to play or climb on furniture and TV sets.
- Avoid placing or hanging items on the TV.
- Never install the TV on:
 - slippery, unstable and/or uneven surfaces.
 - furniture that can easily be used as steps, such as a chest of drawers.
- Install the TV where it cannot be pulled, pushed, or knocked over.
- Install the TV so that the TV's Table-Top Stand does not protrude out from the Stand (not supplied). If the Table-Top Stand protrudes out from the Stand, it may cause TV set to topple over, fall down, and cause personal injury or damage to the TV.



- Route all AC power cords and connecting cables so that they are not accessible to curious children.

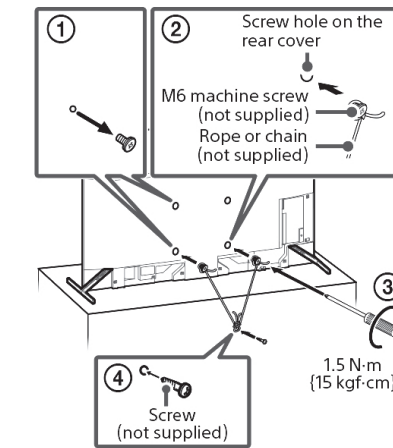
Recommended Measures to Secure the TV
Consider the following measures when securing your TV to a Stand (not supplied).

- Secure the Stand for the TV.
Make sure the Stand can adequately support the weight of the TV. Use two angle braces (not supplied) to secure the Stand. For each angle brace use the appropriate hardware to:
 - Attach one side of the angle brace to the wall stud.
 - Attach the other side to the Stand.

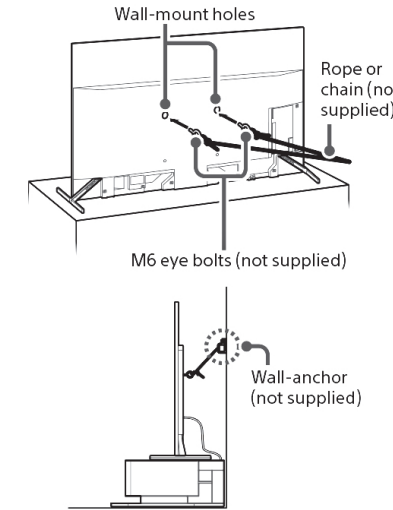


- Secure the TV to the Stand.
Use the optional hardware listed as follows (not supplied):
 - M6 machine screws (screwed into the TV's rear cover).
 - A screw or similar (attach it to the Stand).
 - Rope or chain (strong enough to support the weight of the TV). Make sure that there is no excess slack in the rope or chain.

XR-83A80L / 83A80CL



XR-83A80L / 83A80CL



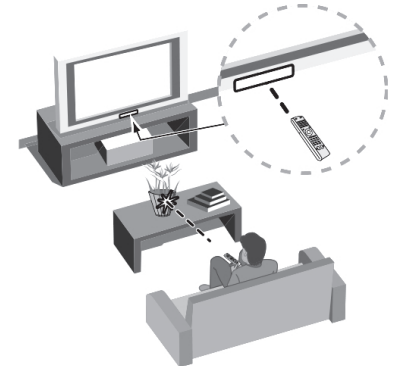
The BRAVIA® 4K TV Experience

Thank you for choosing Sony! Your new BRAVIA® TV opens the door to the "4K TV Experience". This document will help you get the most out of your TV. Please take a moment to register your TV at:
U.S.A.:
<https://productregistration.sony.com>
This TV displays all video input signals in a resolution of 3840 dots x 2160 lines.

Note
• For supported PC formats, refer to the online Help Guide.

Guidelines for IR Remote Control

- Point your remote control directly at the IR sensor located on your TV.
- Make sure that no objects are blocking the path between the remote control and the IR sensor on your TV.



- Fluorescent lamps can interfere with your remote control; try turning off the fluorescent lamps.
- If you are having problems with the remote control, reinsert or replace your batteries and make sure that they are correctly inserted.

Installing the TV to the Wall Wall mounting kit not included

Using the optional Wall-Mount Bracket (SU-WL855 only)* (not supplied)

Wall-Mount Bracket Installation Information

For instructions on Wall-Mount Bracket installation, see the Installation Information (Wall-Mount Bracket) on the Sony Customer Support website for your TV model at the following address.

- <https://www.sony.com/am/support>
- Follow the instruction guide provided with the Wall-Mount Bracket for your model. Sufficient expertise is required in installing this TV, especially to determine the strength of the wall for withstanding the TV's weight.
- Sony is not liable for any damage or injury caused by mishandling or improper installation.
- Be sure to store the unused screws and Table-Top Stand in a safe place until you are ready to attach the Table-Top Stand. Keep the screws away from small children.

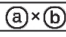
Note
• Read the supplied safety documentation for additional safety information.

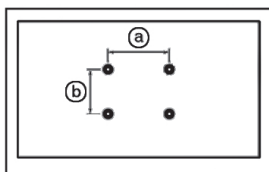
* Only for limited region/country/model.
Using the optional Wall-Mount Bracket (except SU-WL855) (not supplied)
This TV's instruction manual only provides the steps to prepare the TV for Wall-Mount installation before it is installed on the wall.

Your TV can be mounted to a wall using a suitable Wall-Mount Bracket (not supplied). If the Table-Top Stand is attached to the TV, the TV may require detaching the Table-Top Stand; see "Detaching the Table-Top Stand from the TV". Prepare the TV for the Wall-Mount Bracket before making cable connections.

For product protection and safety reasons, Sony strongly recommends that installation of your TV on the wall be performed by qualified professionals. Do not attempt to install it yourself.

- Follow the instruction guide provided with the Wall-Mount Bracket for your model. Sufficient expertise is required in installing this TV, especially to determine the strength of the wall for withstanding the TV's weight.
- The screws for installing the Wall-Mount Bracket to the TV are not supplied.
- Refer to the following table for wall-mount hole pattern.

Model Name	Wall-mount hole pattern
XR-83A80L XR-83A80CL	400 × 400 mm 
XR-77A80L XR-77A80CL	300 × 300 mm
XR-65A80L XR-65A80CL XR-65A75L	300 × 300 mm
XR-55A80L XR-55A80CL XR-55A75L	300 × 300 mm



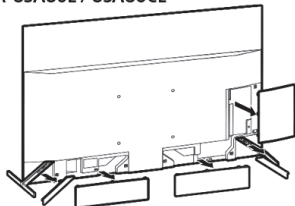
• Be sure to store the unused screws and Table-Top Stand in a safe place until you are ready to attach the Table-Top Stand. Keep the screws away from small children.

Note
• Read the supplied safety documentation for additional safety information.

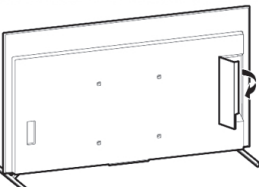
* Only for limited region/country/model.

1 Remove the stand covers (XR-83A80L / 83A80CL only) and terminal covers.

XR-83A80L / 83A80CL

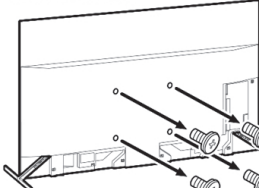


XR-77A80L / 77A80CL / 65A80L / 65A80CL / 65A75L / 55A80L / 55A80CL / 55A75L

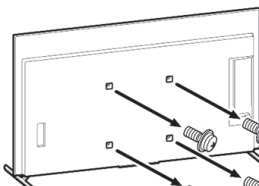


2 Remove the screws from the rear of the TV.

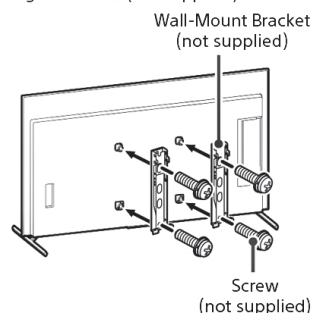
XR-83A80L / 83A80CL



XR-77A80L / 77A80CL / 65A80L / 65A80CL / 65A75L / 55A80L / 55A80CL / 55A75L



3 Attach the Wall-Mount Bracket (not supplied) using the screws (not supplied).

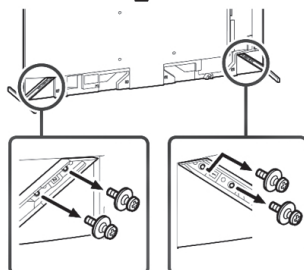


Note

- If using an electric screwdriver, set the torque at approximately 1.5 N·m {15 kgf·cm}.
- Be sure to fasten the Wall-Mount Attachment when attaching them to the TV. Use only a flat head screwdriver to install the Wall-Mount Attachment. Use of another tool might result in over torqueing the Wall-Mount Attachment and damaging the TV. (Except XR-83A80L / 83A80CL)

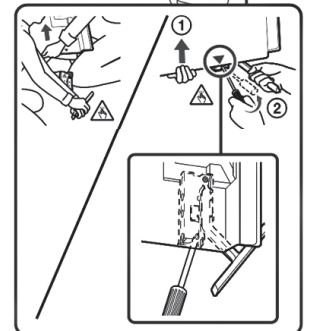
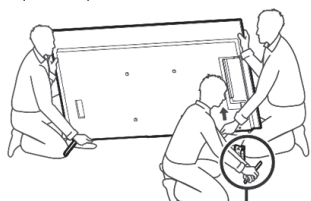
Detaching the Table-Top Stand from the TV XR-83A80L / 83A80CL

To detach the Table-Top Stand from the TV, remove the screws .



XR-77A80L / 77A80CL / 65A80L / 65A80CL / 65A75L / 55A80L / 55A80CL / 55A75L

1 Remove one side of the Table-Top Stand at a time. Firmly hold the Table-Top Stand securely with both hands while the other people lift up the TV.



2 Repeat the previous step and remove the other side of the Table-Top Stand.

Note

- Be careful when lifting the TV as the Table-Top Stand is detached, the Table-Top Stand may topple over and cause personal injury.
- Take care when removing the Table-Top Stand from the TV to prevent it from falling over and damaging the surface that the TV is sitting on.
- Do not remove the Table-Top Stand for any reason other than to install corresponding accessories on the TV.

• Be sure the TV is vertical before turning on. To avoid uneven picture uniformity do not power on the TV with the panel facing down.

XR-83A80L / 83A80CL only

• When attaching the Table-Top Stand again, be sure to fasten the screws (previously removed) to the original holes on the rear of the TV.

Except XR-83A80L / 83A80CL

- Three or more people are required to detach the Table-Top Stand.
- Be careful not to use excessive force while detaching the Table-Top Stand from the TV as it may cause the TV set to fall resulting in personal injury or physical damage to the TV.
- Take care when handling the Table-Top Stand to prevent damage to the TV.

Troubleshooting

General troubleshooting for issues like: black screen, no sound, frozen picture, TV does not respond, or network is lost, do the following steps.

1 Restart your TV by pressing the power button on the remote control for about five seconds. The TV will restart. If the TV does not recover, try unplugging the AC power cord then press the power button on the TV and release it. Wait for two minutes, and plug in the AC power cord.

Or, press the power button on the TV for about 40 seconds until the TV turns off.

2 Refer to the Help menu shown below.

3 Connect your TV to the Internet and perform a software update. Sony recommends you to keep your TV software updated. Software updates provide new features and performance improvements.

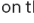
4 Perform the factory data reset.

When you plug in the TV, the TV may not be able to turn on for a while even if you press the power button on the remote control or the TV.

It takes time to initialize the system. Wait for about one minute, then operate it again.

How to reset the TV to factory settings
WARNING: The reset will clear all of your customized settings including the parental lock setting.

• You can reset the TV to factory settings by selecting [Factory data reset]. How to select [Factory data reset], refer to the online Help Guide.

• To force factory data reset, unplug the AC power cord. Press and hold  button on the TV, then plug in the AC power cord.

• For security purposes, be sure to remove all personal and account information before discarding, selling or passing your TV to someone else by: unlinking/unregistering, signing out of and deactivating all network services as well as factory reset the TV.

The remote control does not function.

- Replace the batteries.

The parental lock password has been forgotten.

- Enter 4357 for the PIN and enter the new PIN.

The screen becomes darker while watching TV.

- If the whole image or part of the image remains still, the screen brightness will be gradually reduced to prevent image retention. This is not a malfunction of the TV.

You are concerned about image retention. If the same image is displayed repeatedly or for long periods of time, image retention may occur. To reduce image retention, we recommend that you turn off the TV normally by pressing the power button on the remote control or the TV.

Note

- Perform Panel refresh only when image retention is particularly noticeable. Avoid performing Panel refresh more than once a year because it may affect the usable life of the panel.

• Images that include logos and bright colors (including white) easily cause image retention. Avoid displaying these types of images for long periods of time, otherwise image retention may occur.

A white line appears on the screen. (XR-83A80L / 83A80CL only)


- The Panel refresh has been performed. A white line may be displayed on the screen during the Panel refresh. This is not a malfunction of the TV. Panel refresh starts after the TV is turned off and takes about one hour to complete.

The message [Panel refresh did not finish...] is displayed.

- When i) the TV is turned on, ii) the AC power cord is unplugged, or iii) the room temperature falls outside of the range between 50 °F and 104 °F (10 °C and 40 °C) during the Panel refresh, the Panel refresh is not completed. Please avoid the above three conditions during the Panel refresh. (XR-83A80L / 83A80CL only)

- When i) the TV is turned on or ii) the AC power cord is unplugged during the Panel refresh, the Panel refresh is not completed. Please avoid the above two conditions during the Panel refresh. (Except XR-83A80L / 83A80CL)



For more information, refer to the Help Guide. Press  (Input) on the remote control and select [Help]. If [Help] does not exist, select [Edit] and add [Help].

Specifications

System

TV system
NTSC: National Television System Committee
ATSC: 8VSB Terrestrial
NEXTGEN TV: ATSC 3.0 compliant (Single tuner)*1
QAM on cable: ANSI/SCTE 07 2000 (Does not include CableCARD functionality)

Channel coverage

Depending on your country/area selection/TV model

Analog terrestrial: 2 - 69 / Digital terrestrial: 2 - 69*2

Analog Cable: 1 - 135 / Digital Cable: 1 - 135

Panel system

OLED (Organic Light Emitting Diode) Panel

Speaker output (W)

XR-83A80L / 83A80CL: 20 + 20 + 10 + 10

XR-77A80L / 77A80CL: 20 + 10 + 10 + 10

XR-65A80L / 65A80CL / 55A80L / 55A80CL: 10 + 10 + 10 + 10

XR-65A75L / 55A75L: 10 + 10 + 10 + 10

Wireless technology

Protocol IEEE 802.11a/b/g/n/ac

Bluetooth® Version 4.2

Input/Output jacks

CABLE/ANTENNA

75 ohm external terminal for RF inputs

HDMI IN 1/2/3/4 (HDCP 2.3-compatible)

Video:

4096 × 2160p (60 Hz)*3*4, 4096 × 2160p

(24 Hz)*3, 3840 × 2160p (60 Hz)*4, 3840 × 2160p

(24, 30 Hz), 1080p (24, 30, 60, 120 Hz), 1080i

(60 Hz), 720p (24, 30, 60 Hz), 480p, PC

Formats*5

3840 × 2160p (120 Hz)*4*6

Audio:

In eARC (Enhanced Audio Return Channel) mode

Refer to the online Help Guide for details.

Except eARC mode
5.1 channel linear PCM: 32/44.1/48/88.2/96/176.4/192 kHz 16/20/24 bits, Dolby Audio, Dolby Atmos, DTS

eARC/ARC (Enhanced Audio Return Channel/Audio Return Channel) (HDMI IN 3 only)*7

In eARC mode

Refer to the online Help Guide for details.

In ARC mode

Two channel linear PCM: 48 kHz 16 bits, Dolby Audio, Dolby Atmos, DTS

➔ DIGITAL AUDIO OUT (OPTICAL)

Digital optical jack (Two channel linear PCM: 48 kHz 16 bits, Dolby Audio, DTS)

➔ 1, ➔ 2

USB port 1 supports High Speed USB (USB 2.0)

USB port 2 supports Super Speed USB (USB 3.2 Gen 1)

LAN

10BASE-T/100BASE-TX connector (Depending on the operating environment of the network, connection speed may differ. The communication rate and quality are not guaranteed.)

Home Network supported files and formats*5

REMOTE

RS-232C mini jack, IR IN mini jack

These jacks are for receiving the external control signal.

Power and others

Power requirements

110 V - 240 V AC, 50/60 Hz (U.S.A./Canada)

120 V AC, 60 Hz)

Power consumption

In use (W)

XR-83A80L / 83A80CL: 826

XR-77A80L / 77A80CL: 581

XR-65A80L / 65A80CL / 65A75L: 438

XR-55A80L / 55A80CL / 55A75L: 340

In standby*8*9

Less than 0.5 W with 120 V AC and less than 0.5 W with 240 V AC

Screen size (measured diagonally) (Approx.)

(cm/inches)

XR-83A80L / 83A80CL: 209.6 / 82.5 (83" class)

XR-77A80L / 77A80CL: 194.7 / 76.8 (77" class)

XR-65A80L / 65A80CL / 65A75L: 163.9 / 64.5 (65" class)

XR-55A80L / 55A80CL / 55A75L: 138.8 / 54.6 (55" class)

Display resolution (horizontal × vertical) (pixels)

3840 × 2160

Output rating

500 mA (for USB 1), 900 mA (for USB 2)

Others

Optional accessories

Wall-Mount Bracket: SU-WL855 (except XR-83A80L / 83A80CL)

Camera and Microphone Unit: CMU-BC1

Operating temperature

0 °C - 40 °C / 32 °F - 104 °F

*1 Only for limited region/country/model.

*2 2 - 36 for NEXTGEN TV scanning range in U.S.A.

*3 When 4096 × 2160p is input and [Wide mode] is set to [Normal], the resolution is displayed as 3840 × 2160p. To display 4096 × 2160p, set [Wide mode] setting to [Full 1] or [Full 2].

*4 Refer to the on screen menu to set [HDMI signal format].

*5 Refer to the online Help Guide for details.

*6 HDMI IN 3 and 4 only. Use the Ultra High Speed HDMI Cable to connect.

*7 Connect your audio system to the HDMI IN 3 to route TV audio to your audio system.

*8 Specified standby power is reached after the TV finishes necessary internal processes.

*9 Standby power consumption will increase when your TV is connected to the network.

• Accessory type and quantity may vary depending on the model.

• The image shown here is for illustrative purposes only and may be subject to change.

• The remote control vary depend of model: The buttons on the remote control may have a different name or location than the remote control shows in this manual.

• The cables mentioned in this guide is not supplied with your unit.

Note

- Optional accessories availability depends on countries/region/TV model/stock.
- Design and specifications are subject to change without notice.
- Subscriptions for services and applications may be required and additional terms, conditions and/or charges may apply when using Google Assistant.
- Power consumption will increase when the built-in MIC is enabled as it is always listening.

Licensing Information

- Dolby, Dolby Vision, Dolby Atmos, Dolby Audio, and the double-D symbol are trademarks of Dolby Laboratories Licensing Corporation. Manufactured under license from Dolby Laboratories. Confidential unpublished works. Copyright © 1992-2022 Dolby Laboratories. All rights reserved.

- Gracenote, the Gracenote logo and logotype, "Powered by Gracenote" logo are either registered trademarks or trademarks of Gracenote, Inc. in the United States and/or other countries.
- For DTS patents, see <http://patents.dts.com>. Manufactured under license from DTS, Inc. DTS, Digital Surround, and the DTS logo are registered trademarks or trademarks of DTS, Inc. in the United States and other countries. © 2020 DTS, Inc. ALL RIGHTS RESERVED.
- TUXERA is a registered trademark of Tuxera Inc. in the US and other countries.



REFURBISHED PRODUCT LIMITED NINETY DAYS WARRANTY

The **Refurbished Product Service Center** offers the following WARRANTY to the ORIGINAL purchaser of a product which we have refurbished.

This product that has been refurbished is warranted against any electronic or mechanical defects for a period of NINETY DAYS from the date of the original purchase by the consumer. Since this unit was sold as a refurbished item, the warranty does not apply to any cosmetic appearance items such as scratches. Should a defect occur, the **Refurbished Product Service Center** will repair or, at its option, replace defective unit/parts with new or rebuilt materials without charge for either parts or labor. Replacement unit/parts will be warranted for the remaining portion of the original warranty period.

This warranty does not cover installation or damage from accident, misuse, abuse, improper wiring, incorrect voltage, operating the unit against the instructions in the owner's manual or any product which has been opened, altered, or tampered with.

This warranty does not cover costs for removal and or installation of the unit for repair. Under no circumstances shall the service center be liable for any special, incidental or consequential damages or for any other expenses incurred by reason of use or sale of this product. This warranty is in lieu of any other warranties expressed or implied warranty of merchantability of fitness for particular use or otherwise.

This warranty gives the consumer specific legal rights and they may also have other rights which vary from State to State. Some States do not follow the exclusion or limitation of incidental or consequential damages, hence the above exclusion and limitations may not apply.

Refurbished Product Service Center

13225 Marquardt Avenue Santa Fe Springs, CA 90670.

WARRANTY REPAIR INFORMATION

If you need service on your unit and this product requires repair during the 90 days warranty period; please go to www.ConsumerServiceRefurbish.com or call the **Refurbished Product Service Center** at 562-946-3531 to obtain the required return authorization (RA) number. Pack the unit properly (the original carton is ideal for this purpose) along with a copy of your purchase receipt and a letter describing the problem. Send the unit freight prepaid and insured to:

Refurbished Product Service Center,

Att: Customer Service Department 13225 Marquardt Avenue Santa Fe Springs, CA 90670

Your unit will be promptly repaired and returned to you.

We will refuse to accept delivery of the returned unit unless the assigned RA number appears on the outside of the shipping carton.

Owner's Information

(Keep for your permanent records)

NAME: _____

ADDRESS: _____

CITY: _____ STATE: _____ ZIP CODE: _____

PHONE: _____ E-MAIL: _____

MODEL: _____ SERIAL NO.: _____

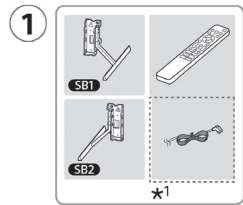
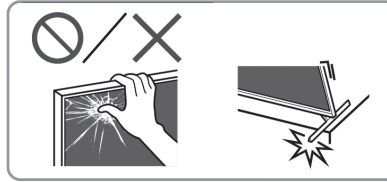
PRINTED IN MEXICO / SHNMDL: XR65A80CL_B
TAB / Elbrd:J.E. / SC: 10-02-2023
OBPN: 5-048-119-12(1)
Add: XR83A80L / 83A80CL / 77A80L / 77A80CL
XR-65A80L / 65A75L / 55A80L / 55A80CL / 55A75L



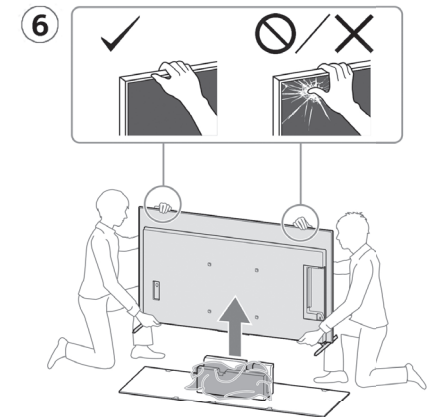
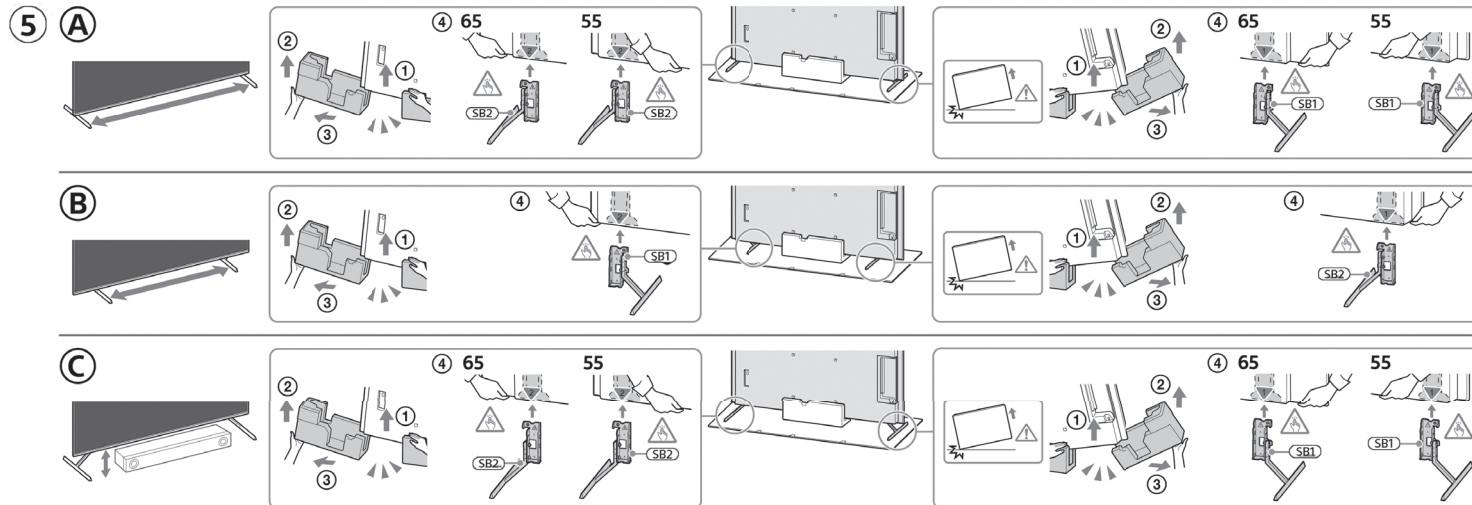
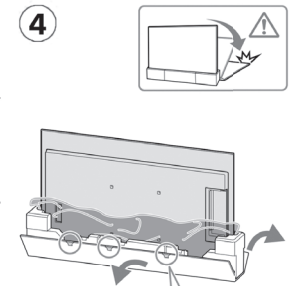
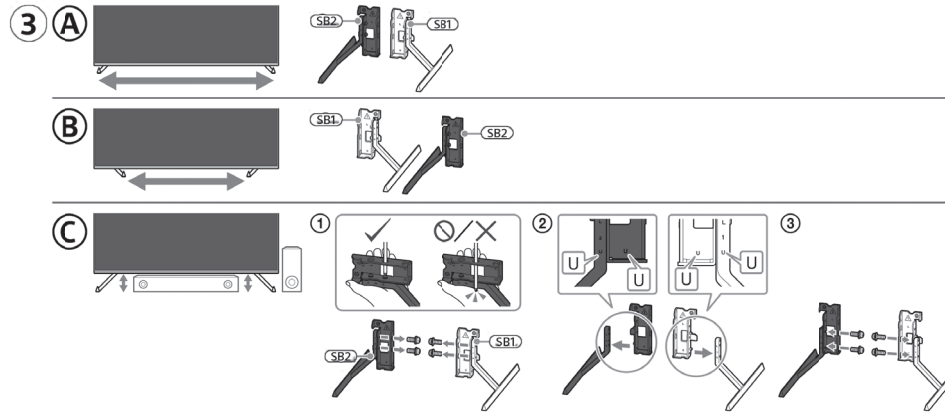
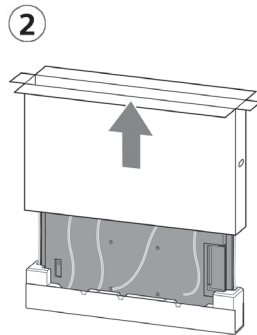
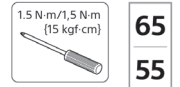
8 1 4 1 0 0 1 3 9



Setup Guide



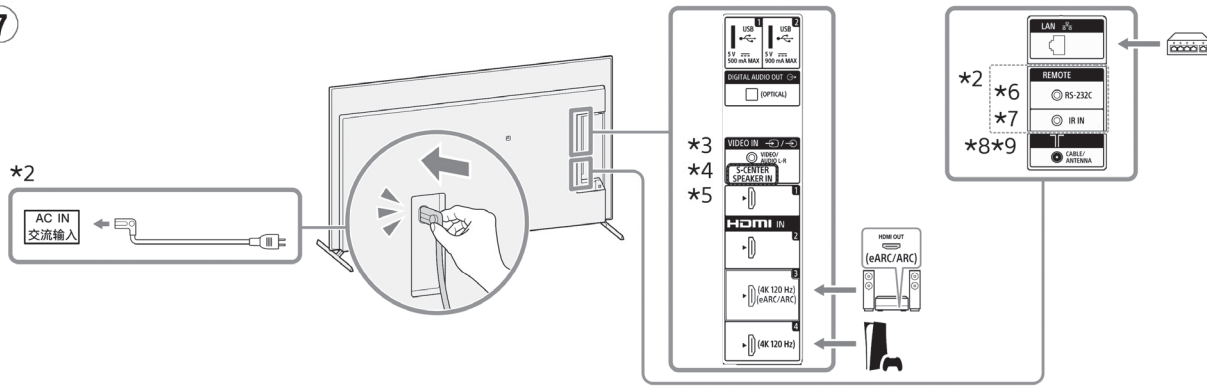
(Tools not included)



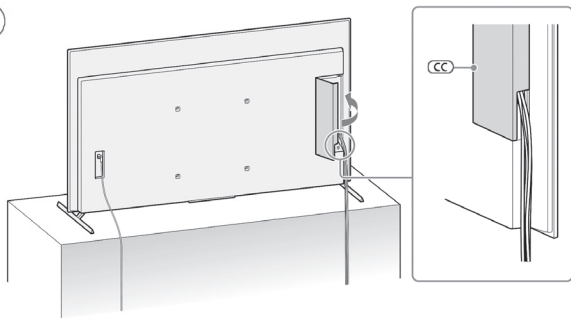
*1 Refer Reference Guide

*2 Only for limited region/country/model.

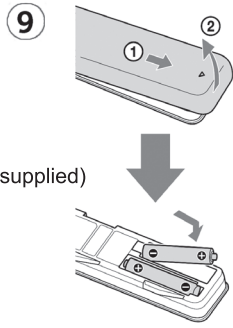
7



8

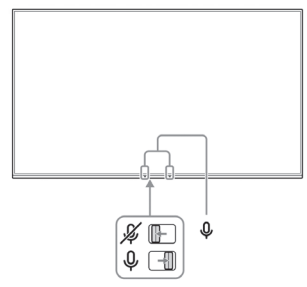
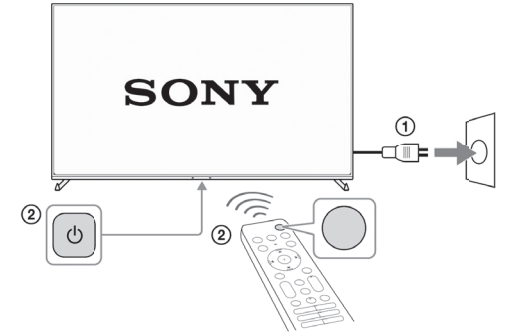
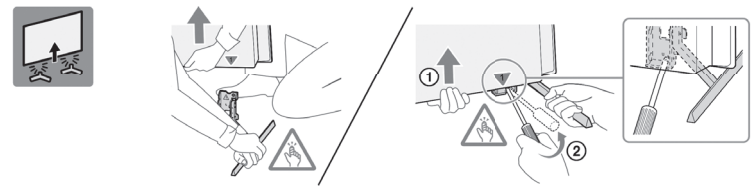


9



(Batteries not supplied)

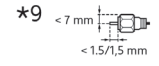
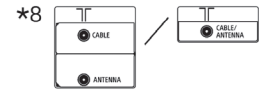
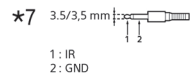
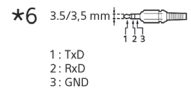
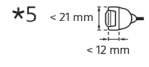
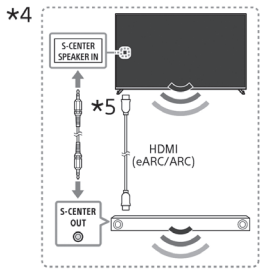
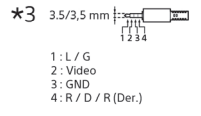
10

(Tools not included)



<https://www.sony.com/tvsupport>



- Accessory type and quantity may vary depending on the model.
- The image shown here is for illustrative purposes only and may be subject to change.
- The remote control vary depend of model: The buttons on the remote control may have a different name or location than the remote control shows in this manual.
- The cables mentioned in this guide is not supplied with your unit.

PRINTED IN MEXICO
 Elbrd: J.E. / SC: 09-26-2023_2P
 OBPn: 5-048-121-11(1)
 SHNMDL: KR65A80CL_B
 Add: XR55A80L / 55A80CL / 65A80L

814000139

