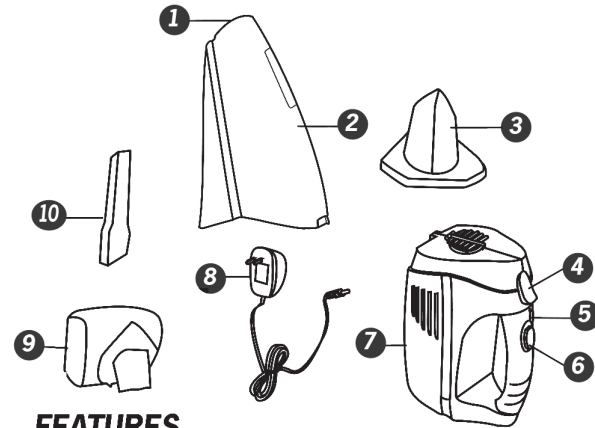


**Shark**  
CORDLESS

SV75\_N 14

SV75Z\_N 14

SV75SP\_N 14



**FEATURES**

- |                            |                    |
|----------------------------|--------------------|
| 1 Air-Intake Nozzle        | 6 On/Off Switch    |
| 2 Dust Cup Container       | 7 Motor Housing    |
| 3 Dust Cup Filter          | 8 Charging Adapter |
| 4 Dust Cup Release Button  | 9 Motorized Brush  |
| 5 Charging Indicator Light | 10 Crevice Tool    |

TECHNICAL SPECIFICATIONS: 15.6 Volt MAX\*\* Ni-MH Battery dc

**CHARGING YOUR HAND VACUUM**

- Before first using the hand vacuum, make sure that the On/Off switch is in the "Off" position and charge until indicator light turns OFF, max. 6 hours.
- Connect the charging jack to the charging hole that is on the back of the vacuum.
- Plug the charger into the wall outlet. The charging indicator light will illuminate to show that the vacuum is being charged.
- After first use, discharge the unit fully and then recharge until indicator light turns OFF, max. 6 hours.

**MAXIMIZING THE LIFE OF YOUR NI-MH BATTERY**

- Do not store in areas of high temperature or humidity.
- Use only the charger supplied with the product. If other chargers are used, the batteries can fail causing damage to the battery, product or personal property.
- After 3 months of non-use, the product should be fully discharged and then recharged to maximize battery power.
- If the product has never been used or has been stored for an extended period of time without use - it will take several complete charge and discharge cycles to realize the full operational time of your product.
- Ni-MH batteries have a long useful life but at some time they will need to be replaced.

**ASSEMBLY OF THE HAND VACUUM**

**IMPORTANT:** The dust cup filter must always be used when operating the hand vacuum.

- Push the dust cup release button and remove the dust cup.
- Verify that the dust cup filter is inside, then reattach the dust cup to the hand vacuum.
- The motorized brush can be used to vacuum short pile carpets or rugs. To attach the motorized brush, make sure the On/Off switch is in the Off position. Then firmly insert the motorized brush into the air-intake nozzle, ensuring that the contact pins are engaged in the connector slots of the unit.

**WARNING: Do not touch the motorized brush while it is in motion.**

- The crevice tool can be used to clean narrow, hard to reach places. To attach the crevice tool, push the attachment into the air-intake nozzle.

**USING THE CORDLESS VACUUM**

**CAUTION: The air-intake nozzle and attachments must be free of obstructions at all times, otherwise the motor will overheat and could become damaged.**

- To start the vacuum, push the "On/Off" switch to the "On" position.
- To turn the vacuum "Off", push the "On/Off" switch to the "Off" position.

**CHANGING & CLEANING THE DUST CUP FILTER**

**NOTE:** It is recommended that the dust cup filter be replaced every 6 - 9 months to ensure peak performance of the vacuum.

- Press the dust cup release button and pull out the dust cup.
- Carefully remove the dust cup filter and empty the dust from the dust cup.
- Rinse the dust cup filter in cold water and let it dry completely before replacing back into the dust cup. Do not wash it in a washing machine or use a hair dryer to dry it. **Air dry only!**

**BATTERY PACK REPLACEMENT & DISPOSAL**

The cordless hand vacuum is powered by Ni-MH batteries, which must be recycled or disposed of properly in accordance with state, federal and local laws. If uncertain as to how to remove the battery pack, we suggest that you take your hand vacuum to a reputable small appliance service technician to have this service performed. Do not attempt to replace the batteries used in this product with any other type of battery. Follow these steps when replacement of the battery pack is required:

- Using a #1 Phillips head screwdriver, remove the single screw securing the battery compartment cover located underneath the unit.
- To remove the cover, lift up the battery compartment cover. **Never** open the battery compartment except to replace the battery pack. Set the cover and the screw aside.
- Slide the battery strap over and lift it out.
- Carefully lift out the top battery pack and disconnect the terminals.
- Connect the terminals to the new battery and insert into the battery compartment; taking care to connect the black lead (-) to the negative connector first and the red lead (+) to the positive connector second and insert into the battery compartment. Take care to tuck the wiring completely in so that the wiring does not interfere with the battery compartment cover when it is replaced.
- Replace the battery strap, the battery compartment cover and the screw making sure not to over-tighten the screw.

**WARNING:** Never use ordinary batteries for replacement as these may leak and damage your vacuum cleaner.

**CAUTION:**

- Use only with battery pack supplied.
- Do not attempt to remove the battery pack from the unit to charge.
- Never throw the battery pack or the appliance into a fire or incinerate it.
- Do not remove or damage the battery casing.
- Do not place the batteries on metal surfaces.
- Do not touch metal parts of the batteries together as the batteries will overheat.



**TROUBLE SHOOTING**

<b>The hand vacuum will not operate</b>	Batteries need to be recharged. Batteries are dead and need to be replaced. There is no power in the electrical outlet being used while charging. Try to charge using a different electrical outlet.
<b>Motorized brush will not work</b>	The metal contact pins on the motorized brush are not in contact with the connector slots on the vacuum. Remove the motorized brush and re-insert firmly into the air-intake nozzle. The motorized brush is blocked. Carefully remove all the lint, hair, etc. from the motorized brush.
<b>Hand vacuum will not pick up or suction is weak</b>	Dust cup is full. Empty the dust cup. Dust cup filter needs cleaning or replacement. Clean or replace the dust cup filter. Vacuum needs to be recharged.
<b>Dust is escaping from the hand vacuum</b>	Empty the dust cup container. The dust cup filter is not installed correctly. Remove it and re-insert it. The dust cup filter has a hole or a puncture in it. Replace it with a new one.

**REFURBISHED PRODUCT LIMITED NINETY DAYS WARRANTY**

The **Refurbished Product Service Center** offers the following WARRANTY to the ORIGINAL purchaser of a product which we have refurbished.

This product that has been refurbished is warranted against any electronic or mechanical defects for a period of NINETY DAYS from the date of the original purchase by the consumer. Since this unit was sold as a refurbished item, the warranty does not apply to any cosmetic appearance items such as scratches. Should a defect occur, the **Refurbished Product Service Center** will repair or, at its option, replace defective unit/parts with new or rebuilt materials without charge for either parts or labor. Replacement unit/parts will be warranted for the remaining portion of the original warranty period.

This warranty does not cover installation or damage from accident, misuse, abuse, improper wiring, incorrect voltage, operating the unit against the instructions in the owner's manual or any product which has been opened, altered, or tampered with.

This warranty does not cover costs for removal and or installation of the unit for repair. Under no circumstances shall the service center be liable for any special, incidental or consequential damages or for any other expenses incurred by use or sale of this product. This warranty is in lieu of any other warranties expressed or implied warranty of merchantability of fitness for particular use or otherwise.

This warranty gives the consumer specific legal rights and they may also have other rights which vary from State to State. Some States do not follow the exclusion or limitation of incidental or consequential damages, hence the above exclusion and limitations may not apply.

**Refurbished Product Service Center**  
13225 Marquardt Avenue Santa Fe Springs, CA 90670.

**WARRANTY REPAIR INFORMATION**

If you need service on your unit and this product requires repair during the 90 days warranty period; please go to **www.ConsumerServiceRefurbish.com** or call the **Refurbished Product Service Center** at 562-946-3531 to obtain the required return authorization (RA) number. Pack the unit properly (the original carton is ideal for this purpose) along with a copy of your purchase receipt and a letter describing the problem. Send the unit freight prepaid and insured to:

**Refurbished Product Service Center,**  
Att: Customer Service Department 13225 Marquardt Avenue Santa Fe Springs, CA 90670

Your unit will be promptly repaired and returned to you. We will refuse to accept delivery of the returned unit unless the assigned RA number appears on the outside of the shipping carton.

**Owner's Information**  
(Keep for your permanent records)

NAME: \_\_\_\_\_

ADDRESS: \_\_\_\_\_

CITY: \_\_\_\_\_ STATE: \_\_\_\_\_

ZIP CODE: \_\_\_\_\_

PHONE: \_\_\_\_\_

E-MAIL: \_\_\_\_\_

MODEL: \_\_\_\_\_

SERIAL NO.: \_\_\_\_\_

**SAVE THESE INSTRUCTIONS**

804103314

**IMPORTANT SAFETY INSTRUCTIONS**

**READ ALL INSTRUCTIONS BEFORE USING YOUR CORDLESS HAND VACUUM**

When using your hand vacuum, basic safety precautions should always be followed, including the following:

- DO NOT** use, charge or store the hand vacuum outdoors or on wet surfaces. Store the cordless vacuum indoors. Put vacuum away after use to prevent accidents.
- Use only as described in this manual.
- DO NOT** allow to be used as a toy. Close attention is necessary when used by or near children. **DO NOT** leave vacuum unattended while in use.
- DO NOT** handle plug, charger or appliance with wet hands.
- Fully assemble hand vacuum before operating. **DO NOT** use hand vacuum cleaner without dust cup filter in place. Use only on dry, indoor surfaces.
- DO NOT** use charger with an extension cord. Plug charger directly into an electrical outlet. Use charger only in a standard electrical outlet.
- DO NOT** attempt to use the charger with any other product nor attempt to charge this product with another charger. **Use only the charger supplied with this appliance.**
- DO NOT** use charger with damaged cord or plug. If charger or hand vacuum has been dropped, damaged, left outdoors, or dropped in water, Contact a service center.
- DO NOT** abuse the charger cord, pull cord around sharp edges or corners or close door on cord. **Never** carry the charger by the cord or yank to disconnect from an outlet; instead grasp the plug and pull to disconnect. Keep charger cord away from heated surfaces.
- Use only manufacturer's recommended attachments. Always turn off this appliance before connecting or disconnecting the motorized nozzle. **DO NOT** attempt to change accessories while unit is running.
- Use extra care when cleaning on stairs.
- Keep hair, loose clothing, fingers, and all parts of body away from openings and moving parts.
- DO NOT** put any objects into openings. **DO NOT** use with any opening blocked; keep free of dust, lint, hair and anything that may reduce air flow.
- DO NOT** use to pick up flammable or combustible liquids such as gasoline or use in areas where they may be present. **DO NOT** pick up anything that is burning or smoking, such as cigarettes, matches, or hot ashes.
- This product includes rechargeable Nickel Metal Hydride batteries. Batteries must be recycled or disposed of properly and safely. The battery must be removed from the appliance before it is discarded. The appliance must be disconnected from the supply when removing the battery. **Do not incinerate batteries or expose to high temperatures**, as they may explode.
- DO NOT** charge the battery at temperature below 32°F (0°C). This will degrade the battery performance, shorten life and cause gas leakage from venting. Optimum charging efficiency for the battery is within temperature range of 50°F (10°C) and 86°F (30°C).
- DO NOT** charge with the battery polarity reversed. This will cause battery venting, swelling or rupture.
- Leaks from battery cells can occur under extreme conditions. Improper use of the battery can cause the safety vent to activate. Small amounts of liquid (alkaline electrolyte) will leak from the vent near the terminal. If the liquid gets on the skin, wash immediately with soap and water. If the liquid gets into the eyes, flush them immediately with clean water for a minimum of 10 minutes and seek medical attention.
- DO NOT** use for any purpose other than described in this user's guide. Look on your hand vacuum and follow all label and marking instructions.
- This vacuum is intended for household use only.
- DO NOT** charge the unit outdoors.

804103314



PRINTED IN MEXICO  
SC.13.03.2018-re-design:01.10.2020  
OBPN:SV75\_NSERIES.ES.130715\_1  
SHNMDL:SV75\_N14\_B

2P