



PORTABLE ROOM AIR CONDITIONER

APCA12

OWNER'S MANUAL

804109690

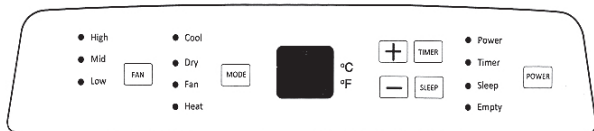
IMPORTANT SAFETY INFORMATION READ ALL INSTRUCTIONS BEFORE USING THE APPLIANCE

IMPORTANT SAFETY INSTRUCTIONS

WARNING To reduce the risk of fire, electrical shock, injury to persons, or damage when using the air conditioner, follow basic precautions, including the following:

- Read all of the instructions before using this appliance.
 - Plug into a grounded 3 prong outlet.
 - Do not remove ground prong.
 - Do not use an adapter.
 - Do not use an extension cord.
 - Do not operate the air conditioner if it has a damaged cord or plug, if it is not working properly, or if it has been damaged or dropped.
 - The air conditioner should be serviced only by qualified service personnel.
 - Disconnect power before servicing.
 - Disconnect power before cleaning.
- NOTE:** Turning off power by pressing the Power button does NOT disconnect the appliance from the power supply.
- Do not install or use the air conditioner in any area where the atmosphere contains combustible gases or where the atmosphere is contaminated. Avoid any chemicals coming in contact with your air conditioner.
 - Do not store anything directly on top of the air conditioner.
 - Use two or more people to move and install air conditioner.
 - Never operate the air conditioner without the filters in place.
 - Do not use the air conditioner near a bathtub, shower or wash basin or other wet area.

Controls



Buttons

Power Control

The power control button turns the unit on and off. When the unit is plugged into an appropriate electrical outlet, the **POWER** indicator light will turn on, indicating that the unit is in Standby mode and ready to be switched **ON**. The air vent will automatically open when the unit is turned **ON** and automatically close when the unit is turned **OFF**.

Timer Control

The timer is adjustable between 1-24 hours.

Auto Turn Off

While the unit is running, press the **TIMER** button and the display will flash. While the display is flashing, press the + or - button to select the number of hours wanted before the unit turns **OFF** automatically.

Auto Turn On

While the unit is on standby mode (plugged in with the power light on), press the **TIMER** button and the display will flash. While the display is flashing, press the + or - button to select the number of hours until you want the unit to turn **ON** automatically.

Temperature Control

- Used for adjusting the timer and thermostat
 - The default display is setting temperature.
 - In cooling mode, when + or - button is pressed, the set temperature is displayed and may be adjusted.
- NOTE:** By pressing the + and - buttons simultaneously, the display will change between Celsius (°C) and Fahrenheit (°F).

Empty Light

Condensation may accumulate in the unit. If the bottom internal tank is full, the **EMPTY** light will illuminate and an alarm will beep for 30 seconds. The unit will not operate until the water has been drained from the bottom drain plug (refer to Water Condensation Drainage)

After switching the air conditioner off, the compressor will not start immediately. You must wait about 4 minutes before it switches back on again.

Sleep

When the Sleep mode is activated in air conditioning mode, the set temperature will increase by 1°F (1°C) after the first hour of cooling and will increase another 1°F (1°C) after the second hour of cooling. The unit will maintain this temperature for 5 hours. The set temperature will then reduce by 1°F (1°C) on the seventh hour and reduce another 1°F (1°C) on the tenth hour. Sleep mode will then deactivate automatically.

Mode Control

Settings: **COOL**, **DRY**, **FAN**, and **HEAT**

The corresponding lights will come on to indicate the current mode setting.

COOL Mode

Adjust the fan speed and air temperature to suit your desired comfort level. Temperature setting range is 60°F–90°F (16°C–32°C)

DRY Mode

Fan Speed is preset to **LOW**.

NOTE: If the unit will be used mainly as a dehumidifier, do not connect the exhaust hose. Continuous drainage is then necessary (refer to Continuous Draining for Dehumidifier Mode).

FAN Mode

Use **FAN** mode to circulate air without entering **COOL** mode.

NOTE: The exhaust hoses must vent outside the room when using heating mode.

Fan Speed Control

3 Settings: High, Medium, and Low.

The image shown here is for illustrative purposes only and may be subject to change. The actual descriptions of control panel and their locations may vary, depending on the model.

Air Conditioner Use

IMPORTANT: If the air conditioner has been tilted on its side, wait 24 hours before turning on the air conditioner to allow the oil to return to the compressor. This will prevent the air conditioner from failing prematurely.

- Allow 20" (51 cm) of space around the unit for proper air circulation.
- Do not operate the air conditioner without air filters in place.
- Do not spill liquid on the control panel; it may cause an electrical short to the interior electronic parts that would either disable them or cause them to function improperly.
- When turning on the air conditioner for the first time after plugging it into an electrical outlet, the unit will start in Cooling mode set at 75°F (24°C), and at High fan speed. The control panel will display the current room temperature.

- When turning on the unit after previous use, it will remember the last settings used.
- After a normal shut down, please wait for 3 minutes before restarting the unit.
- In Cooling mode, this unit should not require water to be removed. This model has a unique design that continuously evaporates the water.
- When the unit is operated in high humidity conditions, you may need to empty the water tank periodically.
- The unit will shut down automatically when the water tank is full. The **EMPTY** indicator illuminates to alert you of this condition.

Care and Cleaning

WARNING Electrical Shock Hazard:

- Disconnect power before cleaning.
- Failure to do so can result in death or electrical shock.

Cleaning

1. Unplug or disconnect power.
2. Use only a soft cloth dampened with water to clean the cabinet.

NOTE: Do not use a liquid or spray cleaner to clean the air conditioner.

NOTE: DO NOT use chemicals, abrasives, ammonia, chlorine bleach, concentrated detergents, solvents or scouring pads. Some of these chemicals/items may damage and/or discolor your air conditioner.

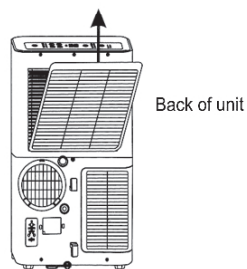
3. Dry thoroughly with a soft cloth.
4. Plug in or reconnect power.

Air Filter

The air filter should be cleaned at least once a week for your unit to operate at optimum efficiency.

IMPORTANT: Do Not operate the air conditioner without the air filter in place because dirt and lint will clog it and reduce performance.

1. Switch off and unplug the air conditioner from the electrical outlet.
 2. Remove the Upper filter/grill.
 3. Gently wash using water and/or diluted liquid dishwashing detergent. Rinse thoroughly and gently shake access water from the filters. Make sure the filters are dry before reinstalling.
- NOTE:** You may use a vacuum cleaner to remove dust.
4. Replace the upper grill onto the unit.
 5. Plug in or reconnect power.



Back of unit

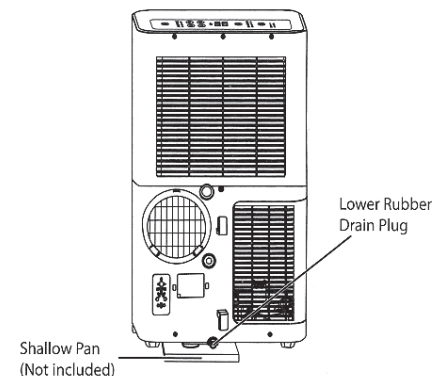
Water Condensation Drainage

When there is excess water condensation inside the unit, the air conditioner stops running and shows a warning light (the Empty indicator illuminates with a red light). This indicates that the water condensation needs to be drained using the following procedures:

Manual Draining for Cooling and Dry Mode

Water may need to be drained in high humidity areas.

1. Unplug the unit from the power source.
2. Place a shallow pan under the lower rubber drain plug. See diagram.
3. Remove the rubber drain plug
4. Water will drain out and collect in the shallow pan.
5. After the water is drained, replace the rubber drain plug.
6. Reconnect to power source and turn unit **ON**.



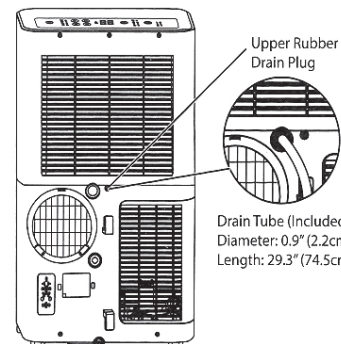
Shallow Pan (Not included)

Lower Rubber Drain Plug

Continuous Draining for Dry Mode

While using the unit in dry mode, continuous drainage is recommended.

1. Unplug the unit from the power source.
 2. Remove the upper or lower rubber drain plug. Some residual water may spill, so have a pan to collect the water.
 3. Connect the drain tube (included) to the upper or lower drain (whichever is more convenient for your space).
 4. The water can be continuously drained through the drain tube into a floor drain or bucket.
- NOTE:** If you drain into a bucket or other container, you need to monitor the water level every 2 hours to prevent overflow. The unit will not shut off when the container is full.
5. Replace the drain plug.
 6. Reconnect to power source and turn unit **ON**.



Drain Tube (Included): Diameter: 0.9" (2.2cm) Length: 29.3" (74.5cm)

Back of unit

Installation Instructions

BEFORE YOU BEGIN

Read these instructions completely and carefully.

- **IMPORTANT** — Save these instructions for local inspector's use.
- **IMPORTANT** — Observe all governing codes and ordinances.
- **Note to Installer** — Be sure to leave these instructions with the Consumer.
- **Note to Consumer** — Keep these instructions for future reference.
- **Skill level** — Installation of this appliance requires basic mechanical skills.
- **Completion time** — Approximately 1 hour
- We recommend that two people install this product.
- Proper installation is the responsibility of the installer.
- Product failure due to improper installation is not covered under the Warranty.
- You **MUST** use all supplied parts and use proper installation procedures as described in these instructions when installing this air conditioner.

CAUTION

Do not, under any circumstances, cut or remove the third (ground) prong from the power cord.

Do not change the plug on the power cord of this air conditioner.

Aluminium house wiring may present special problems—consult a qualified electrician.

Power cord includes a current interrupter device. A test and reset button is provided on the plug case. The device should be tested on a periodic basis by first pressing the **TEST** button and then the **RESET** button while plugged into the outlet. If the **TEST** button does not trip or if the **RESET** button will not stay engaged, discontinue use of the air conditioner and contact a qualified service technician.

ELECTRICAL REQUIREMENTS

Some models require a 115/120-volt AC, 60-Hz grounded outlet protected with a 15-amp time-delay fuse or circuit breaker.

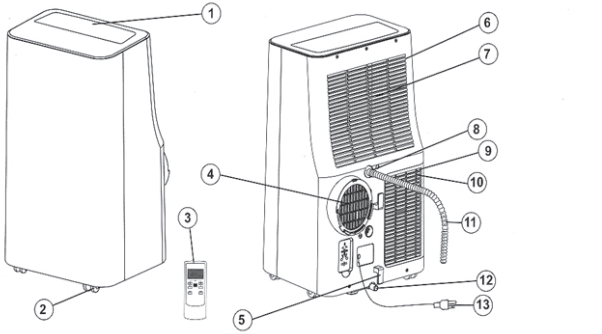
The 3-prong grounding plug minimizes the possibility of electric shock hazard. If the wall outlet you plan to use is only a 2-prong outlet, it is your responsibility to have it replaced with a properly grounded 3-prong wall outlet.

804109690



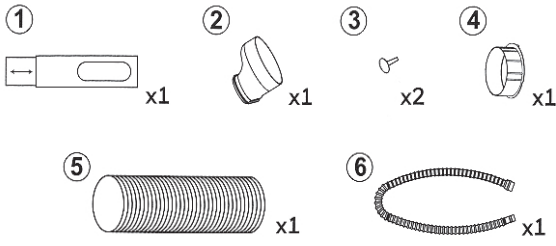
Installation Instructions

PARTS INCLUDED (Appearance may vary)



- | | |
|---------------------------|---|
| 1. Control Panel | 8. Upper Rubber Drain Plug (Dry Mode) |
| 2. Casters | 9. Lower Dust Filter |
| 3. Remote Control | 10. Lower Grill |
| 4. Exhaust Hose Connector | 11. Drain Tube (For Continuous Drain) |
| 5. Cord Winder | 12. Lower Rubber Drain Plug (Air Conditioning Mode) |
| 6. Upper Grill | 13. Power Supply Cord |
| 7. Upper Dust Filter | |

It is important that the installation instructions below are followed for successful installation of this Portable Air Conditioner unit.



Installation Kit:

- | | |
|------------------------------|--|
| 1. Window Panel | 5. Exhaust Hose |
| 2. Window Panel Hose Adapter | 6. Drain Tube (refer to Continuous Draining for Dehumidifier Mode) |
| 3. Screws | |
| 4. Hose Connector | |

1. Location Requirements

- Place the air conditioner on a flat, level surface in a location that is at least 20" (51 cm) from any wall. **NOTE:** The recommended distance from the window for optimal performance is 31.5 (80 cm).
- Maintain a minimum 20" (51 cm) clearance around the air conditioner to not block airflow.
- Keep the air conditioner free of any obstructions such as drapes, curtains, blinds, etc.
- The exhaust hose should be free of any obstructions.
- Do not place the air conditioner on an unstable or raised surface because it could fall and cause damage or injury.
- Do not place the air conditioner in direct sunlight or near a heat source such as baseboard heaters, stoves, etc.
- The window panel can be installed in a window with a minimum 26.6" (67.56 cm) to a maximum 52.0" (132.08 cm) opening.
- Keep the air conditioner upright and level. Do not set the air conditioner on its side, front, back or upside down.

2. Unpack Air Conditioner

WARNING Excessive Weight Hazard
Use two or more people to move and install air conditioner.

- Failure to do so can result in back or other injury
- Remove packaging materials. Save the carton and the foam packaging for storing the air conditioner when not in use.
 - NOTE:** There are NO packing materials inside the air conditioner to remove—Do Not open the cabinet.
 - Properly dispose of/recycle all packing material.
 - Handle the air conditioner gently.
 - Keep the air conditioner upright and level. Do not set the air conditioner on its side, front, back or upside down.

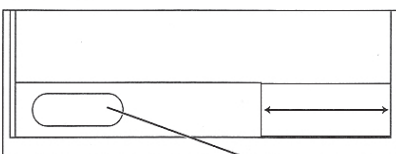
3. Install Exhaust Hose

Install the window panel hose adapter and hose connector onto either side of the exhaust hose.



4. Install Window Panel

Adjust the window panel as per width or height of your window and insert the plastic pins to fix at the desired position. There is a hole where the exhaust hose will be inserted later. Make sure this hole is not blocked.

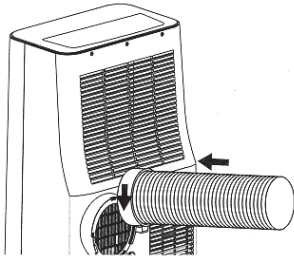


26.6" (67.56 cm) to 52.0" (132.08 cm) Hole For Window Bracket Panel Adapter and Exhaust Hose

5. Attach Exhaust Hose to Unit

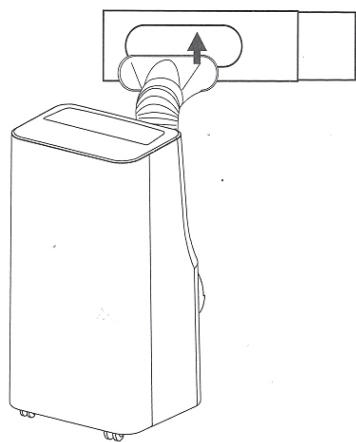
NOTE: After setting the window panel to the size of your window, please remove it from the window and follow the instructions below.

Connect the exhaust hose to the hose connector on the back of the unit. Slide the hose connector in downwards until it is locked in place.



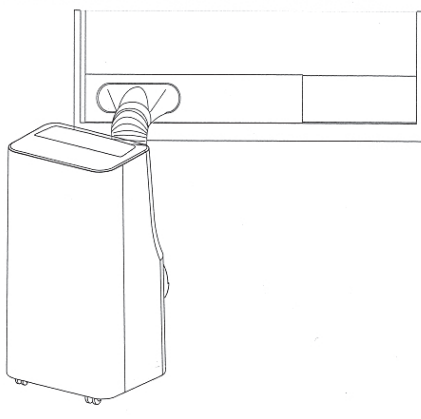
6. Attach Exhaust Hose to Window Panel

Connect the window panel to the window panel adapter. Ensure that all connections are tight and installed properly.



7. Install Attach Window Panel to Window

Install the window Panel back into the window.



8. Complete Installation

WARNING

Electrical Shock Hazard:

- Plug into a grounded 3 prong outlet.
- Do not remove the ground prong from the power cord plug.
- Do not use an adapter.

- Do not use an extension cord.
 - Failure to do so can result in death, fire or electrical shock.
- Plug the power cord into a grounded 3 prong outlet.
 - Press the Reset button on the power cord to ensure the safety plug is providing power to the air conditioner.
 - Allow 20" of space around the unit for proper air circulation.

Troubleshooting Tips

Problem	Possible Causes	Solution
Unit does not start or operate	Power supply cord is not plugged into an outlet.	Plug the power cord into a grounded 3 prong outlet.
	Power supply cord has tripped.	Press and release the RESET button on the power supply cord.
	The Power button has not been pressed.	Press the Power button on the Control Panel or Remote Control to turn ON the air conditioner.
	There is no power to the electrical outlet.	Plug a working lamp into the outlet to check for power.
	A household fuse has blown or a circuit breaker has tripped.	Replace the fuse or reset the circuit breaker.
	The control was programmed for a Time Delay.	Cancel the Time Delay. See "Control Panel."
	The batteries in the remote control are dead.	Replace the batteries.
Remote control is not working	The internal water tank is full. NOTE: The air conditioner automatically turns off, and the Empty indicator illuminates to alert you of this condition.	Empty the water tank. See "Air Conditioner Care."
	Batteries are dead.	Replace the batteries.
Air conditioner is working but the room is not cooling.	Batteries are installed incorrectly.	Make sure the batteries are inserted in the correct position.
	The room temperature is hot. NOTE: On extremely hot and humid days, the air conditioner will take longer to cool the room.	Allow time for the room to cool when you first turn on the unit. Make sure the air conditioner has an adequate BTU rating for the size of the room being cooled.
	The control is set incorrectly to Fan or Dehum mode.	Set the Mode to Cool and the Fan Speed to High.
	Airflow is restricted.	Remove any obstacles to the airflow and redirect airflow for uniform cooling.
	Temperature set too high.	Lower the set temperature.
	Air filters are dirty or restricted.	Clean the air filter. See "Air Conditioner Care."
	Air conditioner installed incorrectly	Check the exhaust hose and window panel for proper installation.
	Doors and windows are open.	Close the doors and windows to the room being cooled to prevent cooled air from escaping.

REFURBISHED PRODUCT LIMITED THIRTY DAY WARRANTY

The **Refurbished Product Service Center** offers the following WARRANTY to the ORIGINAL purchaser of a product which we have refurbished.

This product that has been refurbished is warranted against any electronic or mechanical defects for a period of THIRTY DAYS from the date of the original purchase by the consumer. Since this unit was sold as a refurbished item, the warranty does not apply to any cosmetic appearance items such as scratches. Should a defect occur, the **Refurbished Product Service Center** will repair or, at its option, replace defective unit/parts with new or rebuilt materials without charge for either parts or labor. Replacement unit/parts will be warranted for the remaining portion of the original warranty period.

This warranty does not cover installation or damage from accident, misuse, abuse, improper wiring, incorrect voltage, operating the unit against the instructions in the owner's manual or any product which has been opened, altered, or tampered with.

This warranty does not cover costs for removal and or installation of the unit for repair. Under no circumstances shall the service center be liable for any special, incidental or consequential damages or for any other expenses incurred by reason of use or sale of this product. This warranty is in lieu of any other warranties expressed or implied warranty of merchantability of fitness for particular use or otherwise.

This warranty gives the consumer specific legal rights and they may also have other rights which vary from State to State. Some States do not follow the exclusion or limitation of incidental or consequential damages, hence the above exclusion and limitations may not apply.

Refurbished Product Service Center
13225 Marquardt Avenue Santa Fe Springs, CA 90670

WARRANTY REPAIR INFORMATION

If you need service on your unit during the 30 day warranty period; please go to www.ConsumerServiceRefurbish.com or call the Refurbished Product Service Center at 562-946-3531 to obtain the required claim number. Once you obtain your claim number, pack the unit properly (the original carton is ideal for this purpose) along with a copy of your purchase receipt.

Send the unit freight prepaid and insured to:

Refurbished Product Service Center,
Att: Customer Service Department 13225 Marquardt Avenue Santa Fe Springs, CA 90670

Your unit will be promptly exchanged and returned to you.
We will refuse to accept delivery of the returned unit unless the assigned claim number appears on the outside of the shipping carton.

Owner's Information
(Keep for your permanent records)

NAME: _____
ADDRESS: _____
CITY: _____ STATE: _____ ZIP CODE: _____
PHONE: _____ E-MAIL: _____
MODEL: _____ SERIAL NO.: _____