

# **Shark**<sup>®</sup>

## **Cordless Detect Pro™**

### **Vacuum**

IW1000 Series  
IW3000 Series

## **OWNER'S GUIDE**

---



# IMPORTANT SAFETY INSTRUCTIONS

## FOR HOUSEHOLD USE ONLY

### **⚠ WARNING**

When using an electrical appliance, to reduce the risk of fire, electric shock, injury, or property damage, basic precautions should always be followed, including the following:

#### READ ALL INSTRUCTIONS BEFORE USING THIS VACUUM:

1. This vacuum consists of a motorized nozzle, wand, and handheld vacuum. These components contain electrical connections, electrical wiring, and moving parts that potentially present risk to the user. The floor nozzle, wand, and handheld vacuum contain electrical connections.
2. Before each use, carefully inspect all parts for any damage. If a part is damaged, discontinue use.
3. Use only identical replacement parts.
4. This vacuum contains no serviceable parts.
5. Use only as described in this manual. **DO NOT** use the vacuum for any purpose other than those described in this manual.
6. With the exception of the filters and dust cup, **DO NOT** expose any parts of the vacuum to water or other liquids.
7. Keep the appliance and its cord out of reach of children. **DO NOT** allow the appliance to be used by children. **DO NOT** allow to be used as a toy. Close supervision is necessary when used near children.

#### GENERAL USE

8. This appliance can be used by persons with reduced physical, sensory, or mental capabilities or lack of experience and knowledge if they have been given supervision or instruction concerning use of the appliance in a safe way and understand the hazards involved. Cleaning and user maintenance shall not be made by children.
9. Always turn off the vacuum before connecting or disconnecting any current carrying hoses, motorized nozzles, chargers, batteries, or other electrical or mechanical parts.
10. **DO NOT** handle plug or vacuum with wet hands.
11. **DO NOT** use without dust cup, HEPA and Pre-motor filter, and soft roller in place.
12. Only use Shark® branded filters and accessories. Failure to do so will void the warranty.
13. **DO NOT** put any objects into nozzle or accessory openings. **DO NOT** use with any opening blocked; keep free of dust, lint, hair, and anything that may reduce airflow.

14. **DO NOT** use if nozzle or accessory airflow is restricted. If the air paths or the motorized floor nozzle become blocked, turn the vacuum off. Remove all obstructions before you turn on the unit again.
15. Keep nozzle and all vacuum openings away from hair, face, fingers, uncovered feet, or loose clothing.
16. **DO NOT** use if vacuum is not working as it should, or has been dropped, damaged, left outdoors, or dropped into water.
17. Use extra care when cleaning on stairs.
18. **DO NOT** leave the vacuum unattended while powered on.
19. When powered on, keep the vacuum moving over the carpet surface at all times to avoid damaging the carpet fibers.
20. **DO NOT** place vacuum on unstable surfaces such as chairs or tables.
21. **DO NOT** use to pick up:
  - a) Liquids
  - b) Large objects
  - c) Hard or sharp objects (glass, nails, screws, or coins)
  - d) Large quantities of dust (including drywall, fireplace ash, or embers). **DO NOT** use as an attachment to power tools for dust collection.
  - e) Smoking or burning objects (hot coals, cigarette butts, or matches)
  - f) Flammable or combustible materials (lighter fluid, gasoline, or kerosene)
  - g) Toxic materials (chlorine bleach, ammonia, or drain cleaner)
22. **DO NOT** use in the following areas:
  - a) Poorly lit areas
  - b) Wet or damp surfaces
  - c) Outdoor areas
  - d) Spaces that are enclosed and may contain explosive or toxic fumes or vapors (lighter fluid, gasoline, kerosene, paint, paint thinners, mothproofing substances, or flammable dust)
23. Turn off the vacuum before plugging in or unplugging the charger.
24. Turn off the vacuum before any adjustment, cleaning, maintenance, or troubleshooting.
25. During cleaning or routine maintenance, **DO NOT** cut anything other than hair, fibers, or string wrapped around the brushrolls.

26. Allow all filters to air-dry completely before replacing in the vacuum to prevent liquid from being drawn into electric parts.
27. **DO NOT** modify or attempt to repair the vacuum or the battery yourself, except as indicated in this manual. **DO NOT** use the battery or vacuum if it has been modified or damaged. Damaged or modified batteries may exhibit unpredictable behavior resulting in fire, explosion, or risk of injury.
28. Always turn off this appliance before connecting or disconnecting motorized nozzle or hand tool.  
**BATTERY PACK**
29. The battery is the power source for the vacuum. Carefully read and follow all charging instructions.
30. To prevent unintentional starting, ensure the vacuum is powered off before picking up or carrying the vacuum. **DO NOT** carry the appliance with your finger on the power switch.
31. For IW3000 use only the charging dock XDCKIW3000S and XDCKIW3000L. For IW1000 use only battery charger DK18-220080H-UU and YLS0251A-T220080.
32. Keep the battery away from all metal objects such as paper clips, coins, keys, nails, or screws. Shorting the battery terminals increases the risk of fire or burns
33. Under abusive conditions, liquid may be ejected from the battery. Avoid contact with this liquid, as it may cause irritation or burns. If contact occurs, flush with water. If liquid contacts eyes, seek medical help.
34. Battery should not be stored at temperatures below 3°C (37.4°F) or above 104°F (40°C) to maintain long-term battery life.
35. **DO NOT** charge battery at temperatures below 5°C (40°F) or above 104°C (104°F). Charging improperly or at temperatures outside of the specified range may damage the battery and increase the risk of fire.
36. Store the appliance indoors. **DO NOT** use or store it below 3°C (37.4°F). Ensure the appliance is at room temperature before operating.
37. **DO NOT** expose the battery to fire or temperatures above 265°F (130°C) as it may cause explosion.
38. Use appliances only with specifically designated battery packs. Use of any other battery packs may create a risk of injury and fire.
39. Disconnect the battery pack from the appliance before making any adjustments, changing accessories, or storing appliance. Such preventive safety measures reduce the risk of starting the appliance accidentally.

40. For IW1120, IW1111C use only XBATR525DC and for IW3120 use only XBATR525SL. For IW1111 use only XBATR625DC and for IW3110C, IW3111C, IW3120C use only XBATR625SL.
41. If the charging cord plug does not fit fully into the outlet, reverse the plug. If it still does not fit, contact a qualified electrician. **DO NOT** force into outlet or try to modify to fit.
42. To reduce the risk of shock and unintended operation, turn off power and remove the Li-Ion battery before servicing.
43. Unplug the power cord from outlet when not in use and before servicing.
44. Do not unplug by pulling on cord. To unplug, grasp the plug, not the cord.
45. Turn off all controls before unplugging.
46. Do not pull or carry by cord, use cord as a handle, close a door on cord, or pull cord around sharp edges or corners. Do not run appliance over cord. Keep cord away from heated surfaces
47. The product's power supply cord should be directly plugged into an electrical outlet. Extension cord should not be used
48. The length of the power supply cord provided on the product is 1.2m .

#### ODOR NEUTRALIZING CARTRIDGE (IW3000 Series)

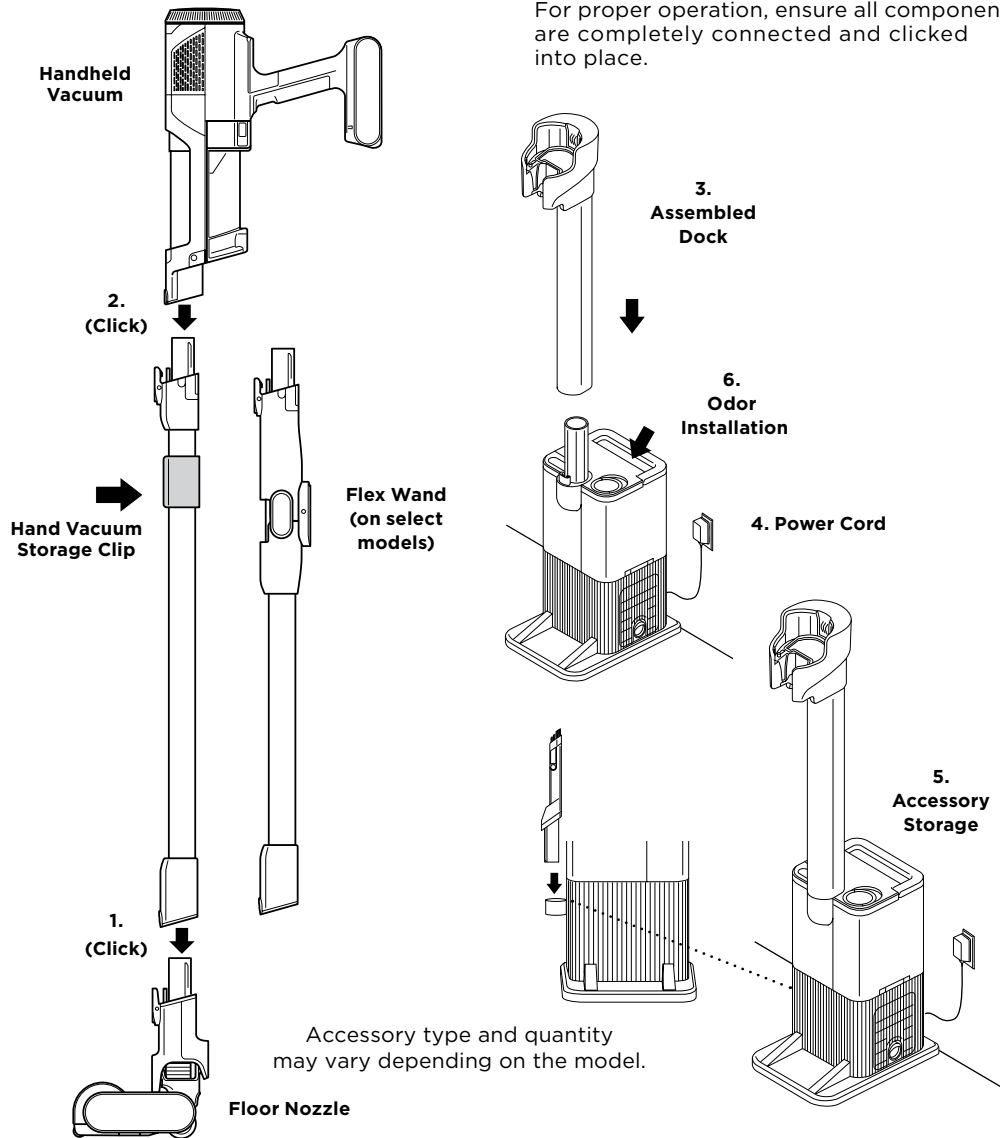
49. Observe the following when interacting with the odor neutralizing cartridge:
    - a) **DO NOT** attempt to disassemble odor neutralizing cartridge.
    - b) Avoid direct contact with the fragrance pod in the cartridge.
    - c) **DO NOT** directly inhale from the odor neutralizing cartridge.
    - d) Keep away from children and pets.
    - e) Keep away from heat, sparks, and open flame.
    - f) **DO NOT** place in direct sunlight.
- #### FRAGRANCE CARTRIDGE FIRST AID
- a) Avoid contact with fabrics and finished surfaces.
  - b) Eye contact: Remove contact lenses if present. Rinse continuously with water for several minutes.
  - c) Skin contact: Wash hands thoroughly after handling. If irritation or rash develops, seek medical advice/attention.
  - d) Inhalation: Move person to fresh air if they are experiencing any respiratory symptoms. If symptoms persist, seek medical advice/attention.
  - e) Ingestion: **DO NOT** induce vomiting. Seek medical advice/attention.

## SAVE THESE INSTRUCTIONS

## AUTO-EMPTY ASSEMBLY (IW3000)

1. Slide the **Wand** onto the neck of the **Floor Nozzle** until it clicks into place.
2. Align the **Hand Vacuum** nozzle opening with the top of the wand and slide it on until it clicks into place.
3. Make sure the **Dock** is facing upright. Slide the **Charging Post** into the slot on front of dock until it clicks.
4. Place the dock on the floor near a wall outlet. Plug the **Power Cord** into the outlet, then connect the cord to the port on the back of the charging post.
5. Store the crevice tool accessory on the mount on the dock.
6. Refer Odor Installation and Replacement instructions.

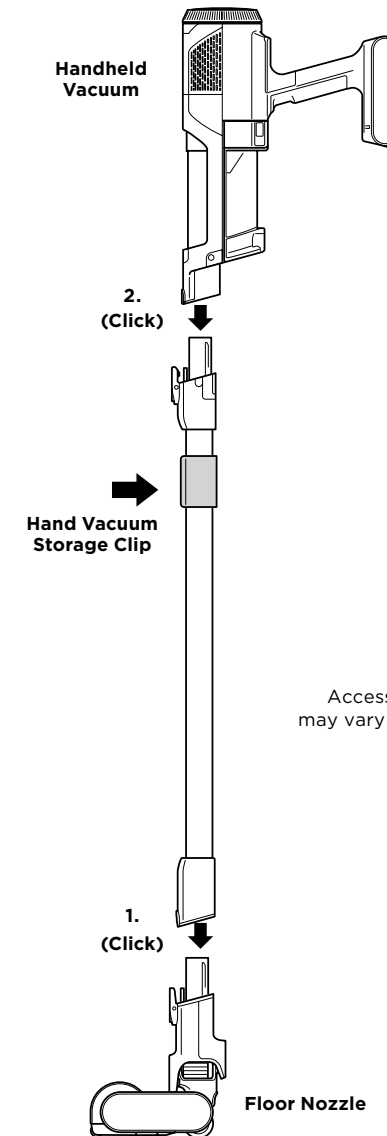
For proper operation, ensure all components are completely connected and clicked into place.



**NOTE:** Once the charging post is installed, it can't be removed.

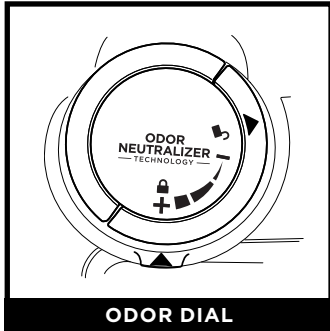
## NON-AUTO-EMPTY ASSEMBLY (IW1000)

1. Slide the **Wand** onto the neck of the **Floor Nozzle** until it clicks into place.
  2. Align the **Hand Vacuum** nozzle opening with the top of the wand and slide it on until it clicks into place.
- For proper operation, ensure all components are completely connected and clicked into place.



## ODOR NEUTRALIZER TECHNOLOGY

### ADJUSTING THE ODOR INTENSITY



Flip up the dial handle and rotate the odor dial to adjust odor neutralizer technology intensity or to unlock the dial for cartridge access.

**Insertion/Removal:** Rotate the odor dial to align the teal arrows. Remove the dial to access the odor cartridge for removal or replacement.

**Low:** Rotate the dial toward the Low position to decrease the intensity to the lowest level when the vacuum is in use.

**High:** Rotate the dial toward the High position for the highest intensity level when the vacuum is in use. This position is the recommended setting for optimal performance.

## ODOR NEUTRALIZER TECHNOLOGY TIPS

### Odor Dial Must be Installed for Vacuum to Function Properly

- Remove odor cartridge from dial if you don't want the benefits of the odor neutralization technology.

### Maintenance Required

- Clean all filters as recommended under Cleaning Filters.
- Empty the dust cup before storing your vacuum.
- Replace the cartridge as recommended under Odor Cartridge Replacement.
- If wet pet messes are cleaned up, thoroughly clean the vacuum.

### Fragrance Strength Over Time

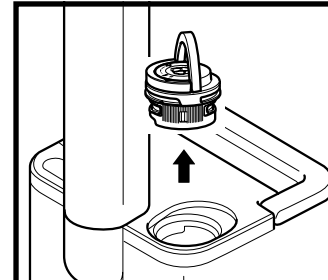
- The intensity of the odor neutralizer technology's fragrance may diminish over time. It may also have no noticeable fragrance at all. This is natural and does not indicate the technology isn't working. Follow replacement instructions to ensure continued performance.

**NOTES:**

- The odor dial needs to be installed for the vacuum to function properly, with or without the odor cartridge.
- Odor Neutralizer technology effectively deodorizes while interacting with odors from inanimate sources.

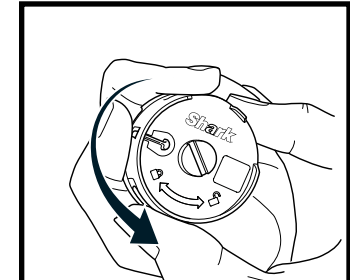
## ODOR NEUTRALIZER TECHNOLOGY

### ODOR CARTRIDGE REPLACEMENT



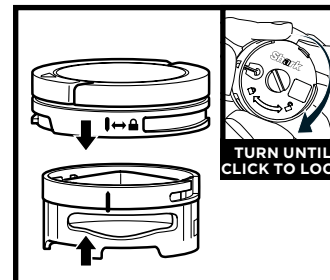
**1. REMOVE ODOR DIAL FROM THE AUTO-EMPTY DOCK**

Flip up the handle and rotate the dial clockwise until the two arrows are aligned. Pull the handle to remove the dial from the auto-empty dock.



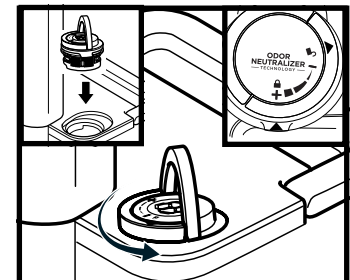
**2. REMOVE OLD ODOR CARTRIDGE**

Rotate the cartridge counterclockwise in the dial housing and pull out the cartridge to remove it.



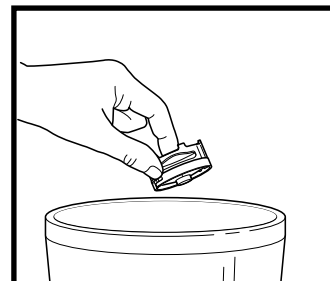
**3. INSTALL NEW CARTRIDGE IN DIAL**

Align the yellow arrow on the side of the cartridge with the yellow arrow on the side of the dial cover, then insert the cartridge into the dial. Rotate the cartridge clockwise to lock it in place.



**4. INSTALL DIAL IN THE AUTO-EMPTY DOCK**

Align the teal arrow on the dial cover with the arrow on the auto-empty dock, then reinsert the dial into the auto-empty dock. Rotate the dial counterclockwise until it clicks into an intensity setting to engage. Rotate further to change the intensity setting.



**5 USED CARTRIDGE DISPOSAL**

Dispose of the old cartridge by dropping it into the trash.

**NOTE:** Odor cartridges should be replaced every 6 months for optimal odor neutralizer technology performance.

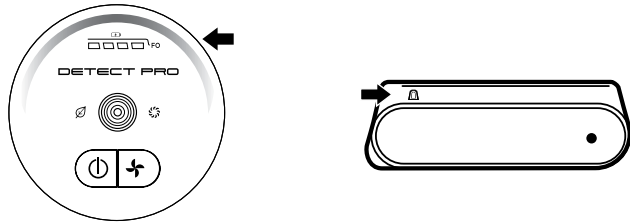
## LI-ION BATTERY

Prior to first use, charge the battery completely.




### RUNTIMES PER FULLY CHARGED BATTERY

With a full charge, the unit will have up to a 40-minute runtime.

### LED BATTERY POWER AND CHARGING INDICATORS



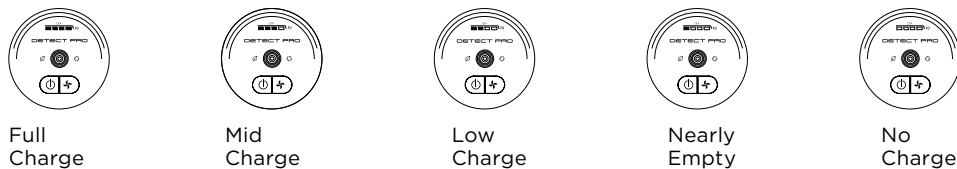
#### Charging

-  LED on the battery pack will pulse yellow when reaching 0-75% charge.
-  LED on the battery pack will pulse green from 75% - 100% charge.
-  White LED the battery pack is fully charged.

#### Additional Notes

1. LEDs turn off once the battery is fully charged.
2. Unit will not power on when charger is connected.

#### In Use



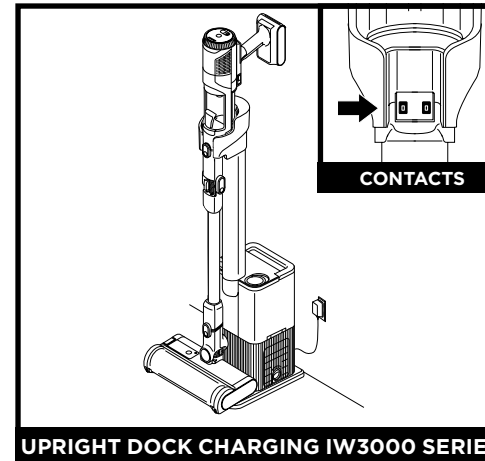
### RECYCLING THE LI-ION BATTERY

When the Shark® Li-ion battery needs to be replaced, dispose of it or recycle it in accordance with local ordinances or regulations. In some areas, it is illegal to place spent lithium-ion batteries in the trash or in a municipal solid waste stream. Return spent batteries to an authorized recycling center or to the retailer for recycling. Contact your local recycling center for information on where to drop off the spent battery.

**NOTE:** The Shark battery, like all lithium-ion batteries, will naturally decrease in capacity over time from the 100% capacity of a new battery.

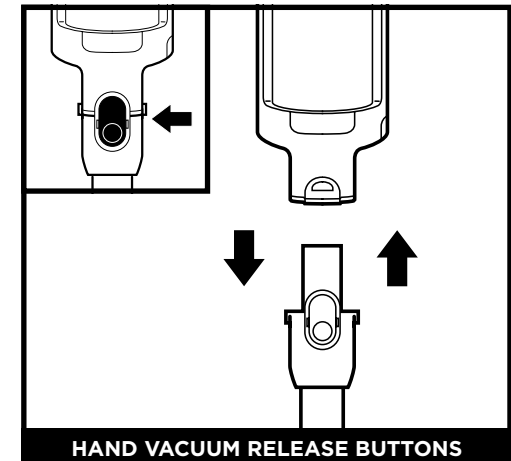
## CHARGING

### CHARGING WHILE IN STORAGE MODE



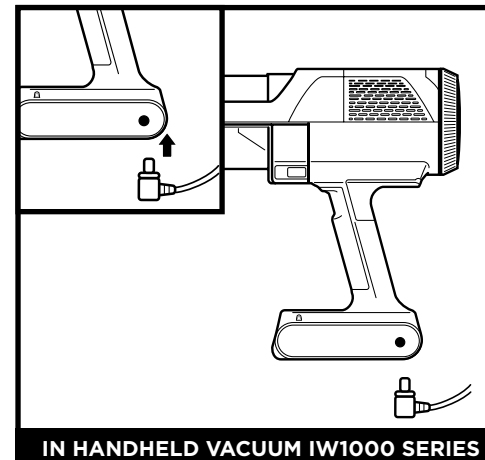
UPRIGHT DOCK CHARGING IW3000 SERIES

Charge the unit by placing it on the dock. Make sure the contacts on the wand are aligned with the contacts on the charging post. When charging is complete and you need to use the unit again, lift it off the dock.



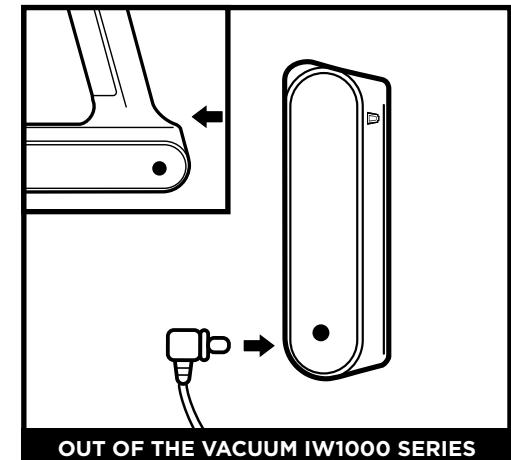
HAND VACUUM RELEASE BUTTONS

To detach the hand vacuum from the wand, press the front latch release button on the hand vac where it meets the wand, then lift off the hand vacuum. To reattach the hand vacuum to the wand, align the hand vacuum opening over the top of the wand and slide it on until it clicks into place.



IN HANDHELD VACUUM IW1000 SERIES

To charge the battery inside the handheld vacuum, connect the charger to an electrical outlet, then insert the charger plug into the port below the handle on the handheld vacuum.



OUT OF THE VACUUM IW1000 SERIES

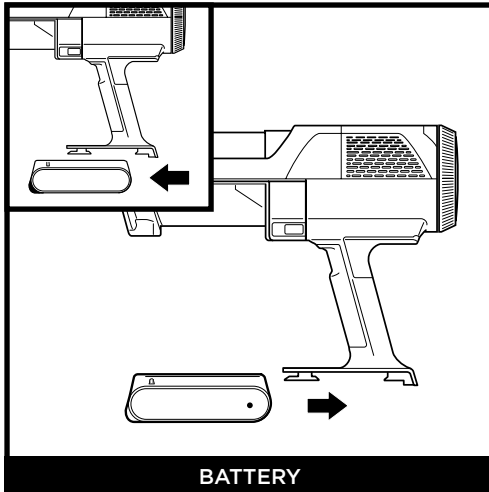
Press and hold the **Battery Release Button**, then pull out the battery. Plug the charger into the charging port on the battery. To reinstall the battery, insert it into the slot in the back of the handheld vacuum.

**NOTE:** When the unit is docked properly, the charging lights on the battery will blink, indicating that charging has begun.

**NOTE:** The main unit comes with a partial charge. For maximum runtime, charge fully before first use. Leaving the unit plugged in will not damage battery life.

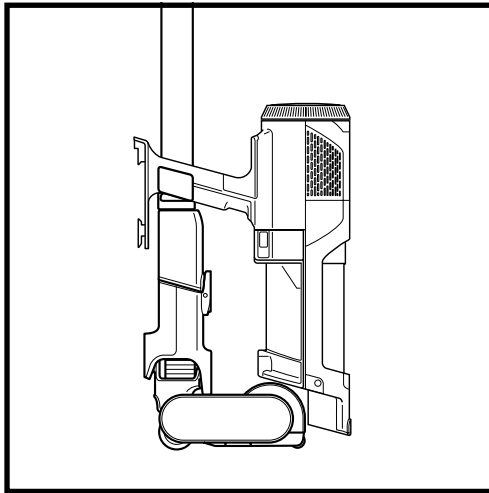
## BATTERY REMOVAL

### REMOVING THE BATTERY



To remove the battery from the hand vacuum, press the release tab on the battery cap and slide out the battery. To reinstall, slide the battery into the compartment in the handle until it clicks into place.

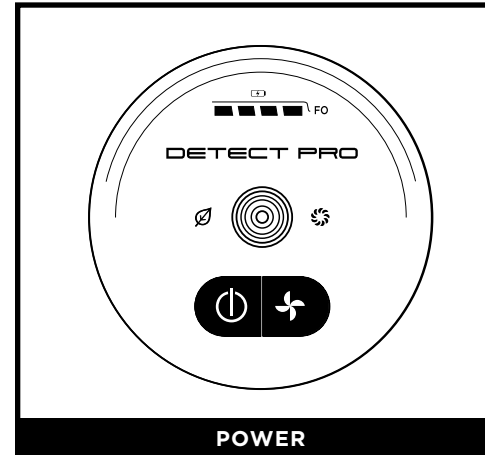
### STORAGE ON THE GO



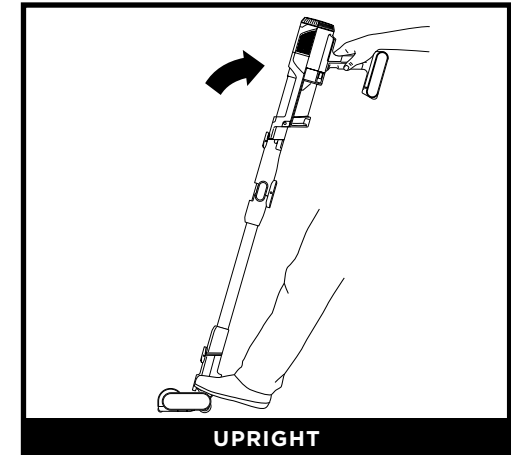
For quick and easy short-term storage, attach the hand vacuum to the wand by placing it onto the pre-assembled wand storage clip.

## USING YOUR VACUUM

### CONTROLS AND CLEANING MODES

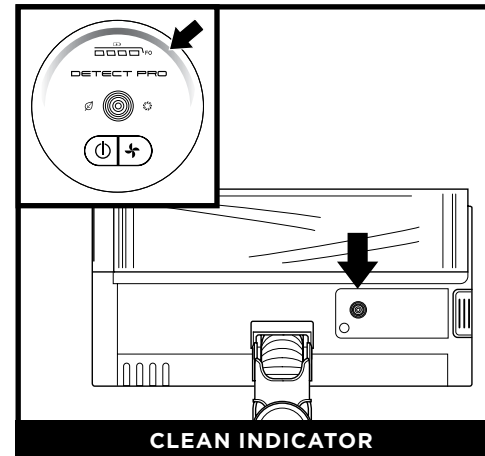


Press the  $\text{\textcircled{P}}$  button on the UI Screen to turn on power. To turn off power, press the button again. To toggle between ECO, AUTO, and BOOST modes, press the mode  $\text{\textcircled{A}}$  selection button.



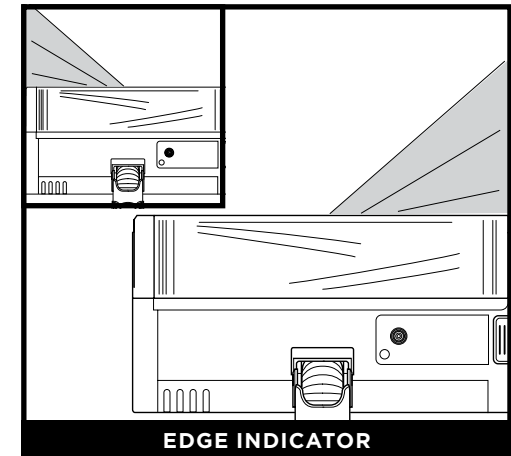
**UPRIGHT**

When upright, the nozzle will lock to allow for free standing storage when the hand vac is detached. Place your foot on the nozzle to disengage the lock to begin floor cleaning.



**CLEAN INDICATOR**

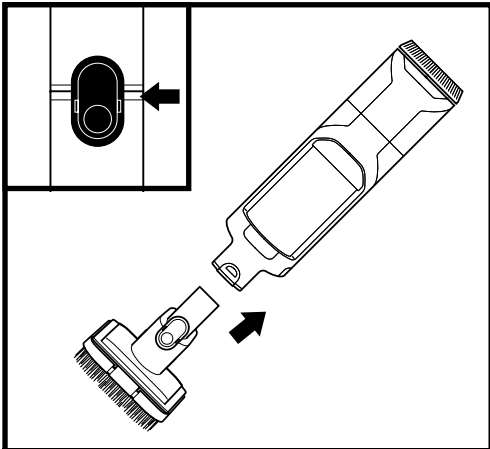
When the LED Indicator light is blue, this means no heavy debris is detected and suction power is normal. When the vacuum senses heavy debris, the light will turn red, and suction will increase for more cleaning power. When the indicator light turns amber, debris is being removed—continue cleaning until the indicator turns blue again.



**EDGE INDICATOR**

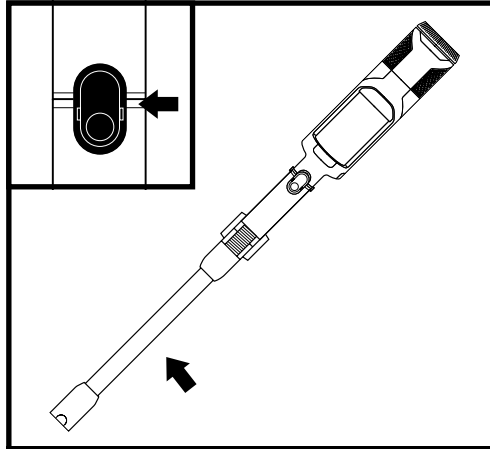
When an edge is detected, the headlights will illuminate on one side where the edge is detected, to focus on targeted debris.

## ABOVE-FLOOR CLEANING



**ABOVE-FLOOR WITH HAND VACUUM**

Detach the hand vacuum to clean above-floor areas. Press the front latch release button on the hand vac where it meets the wand, then lift off the hand vacuum. To attach an accessory to the hand vacuum, slide it into the opening in the nozzle. To remove, press the front latch release button on the hand vac where it meets the wand, and slide out the accessory.



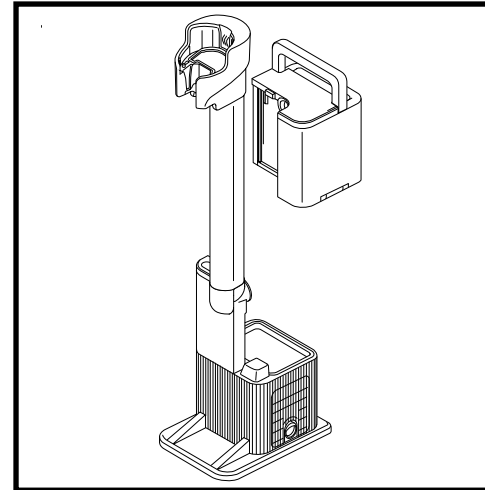
**ABOVE-FLOOR WITH WAND**

To detach the floor nozzle from the wand, step on the nozzle while pressing the nozzle release button at the bottom of the wand. Lift the wand to remove it. To reattach the wand, align it over the neck of the floor nozzle, then slide it on until it clicks into place.

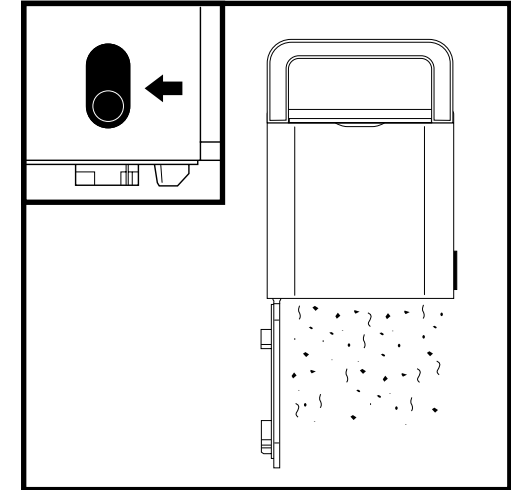
**NOTE:** All accessories are compatible with both the wand and the hand vacuum.

## MAINTAINING YOUR VACUUM

### EMPTYING THE DOCK DUST BIN

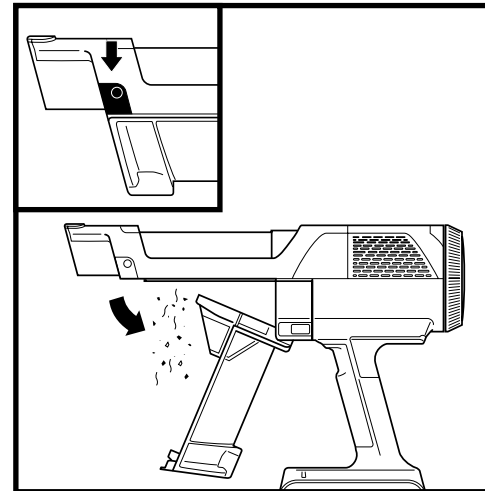


The dock dust bin holds up to 30 days' worth of dust and debris. Empty the dock dust bin when the dust bin full indicator light comes on. To remove the bin, lift it out by the handle.

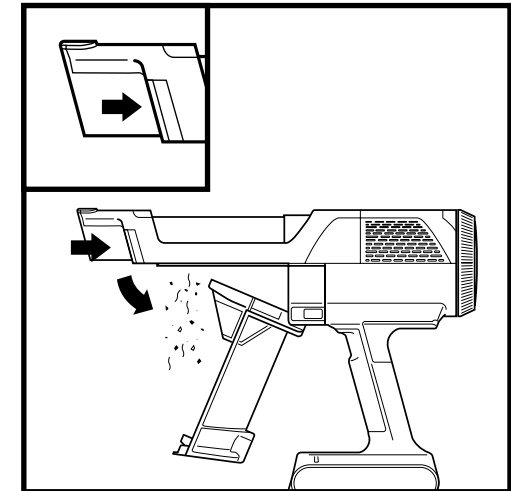


To empty the bin, hold it over the trash and press the release button on the side. The bottom will open to release the debris.

### EMPTYING THE HANDHELD VACUUM DUST CUP



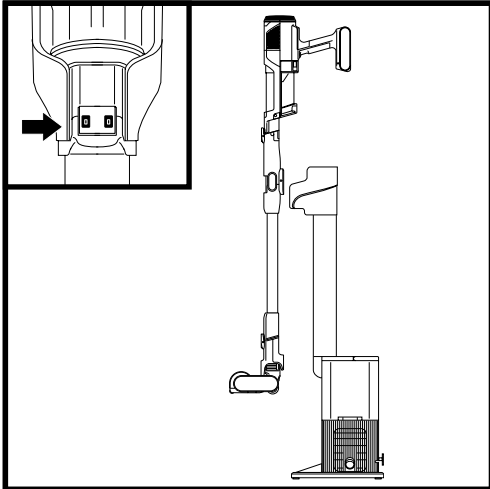
To empty the handheld vacuum (IW3000 Series) dust cup, turn off the power and hold the hand vac over the trash. Press the release button and the dust cup lid will drop open, releasing debris.



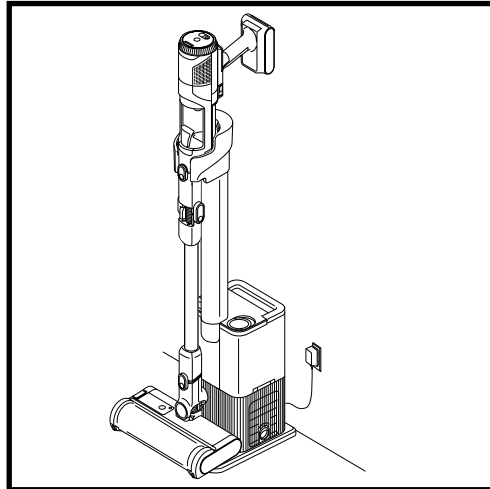
To empty the handheld vacuum (IW1000 Series) dust cup, turn off the power and hold the hand vac over the trash. Press the release button and the dust cup lid will drop open, releasing debris.

## USING YOUR VACUUM

### USING THE AUTO-EMPTY DOCK

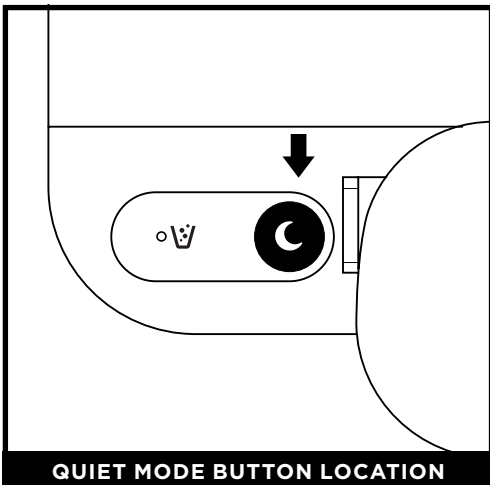


Place the vacuum on the dock in a downward motion. Once properly attached, the auto evacuation process will begin. The evacuation cycle will last for 15 seconds.



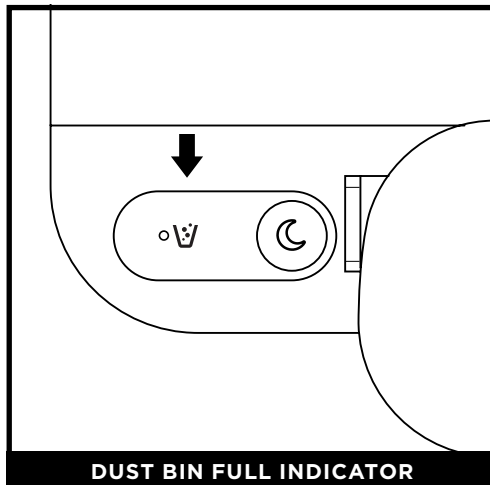
Once evacuation is complete, the vacuum will continue charging until it is removed from the dock.

### USING THE AUTO-EMPTY DOCK



**QUIET MODE BUTTON LOCATION**

Press the button on the top of the dock that shows an image of a moon. This will initiate Quiet Mode. When the dock is in Quiet Mode, you can dock the vacuum without auto evacuation occurring.



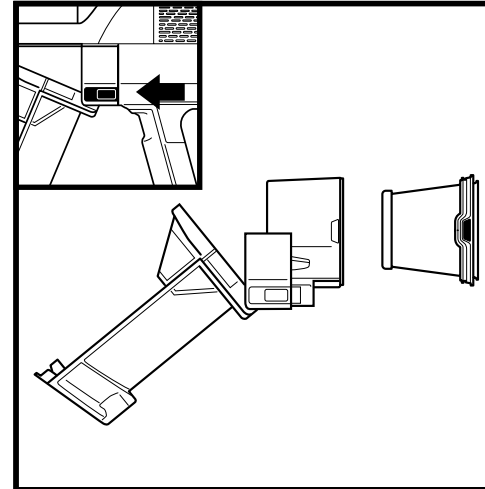
**DUST BIN FULL INDICATOR**

The Dust Bin Full indicator will illuminate when the dust bin is full of debris and needs to be emptied. To reset the indicator, remove the dust bin and empty it.

**Note: do not remove the vacuum while the evacuation cycle is taking place.**

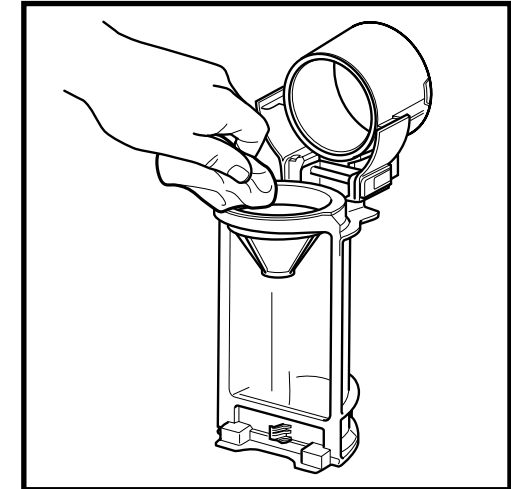
## MAINTAINING YOUR VACUUM

### CLEANING THE DUST CUP AND FILTER



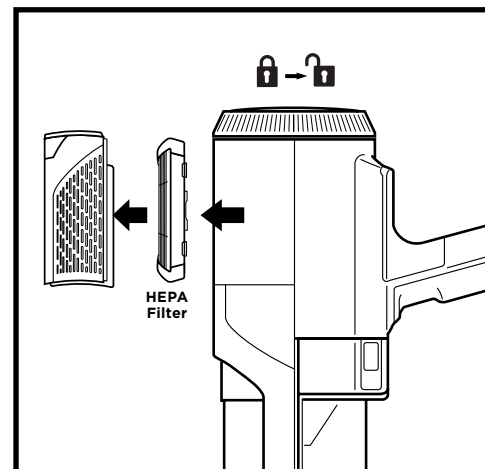
With the dust cup open and the power off, press both release buttons and slide the dust cup out of the hand vac.

Press the tabs on both sides of the filter housing and pull the filter out of the housing. To clean the filter, rinse it with water only and allow it to air-dry for at least 24 hours before reinstalling. To reinstall the filter, slide it back into the housing, then slide the housing back into place.



To deep-clean the dust cup, slide the release button until the lid opens completely. Wipe away any dust and debris with a dry cloth, then rinse it out with water. Use a damp cloth to remove any remaining debris. Allow the dust cup to air-dry completely for at least 24 hours before reinstalling it.

### REMOVING THE HAND VAC HEPA FILTER



1. To access the HEPA filter, rotate the filter cover on the the handheld vacuum to the unlocked position.
2. Pull off the filter cover and lift out the HEPA filter.
3. Reinsert the filter, then replace the cover and rotate it back to the locked position.

**Regularly rinse and replace the filters to maintain your vacuum's suction power.** To clean filters, rinse them with water only. **Allow all filters to air-dry completely for up to 48 hours before reinstalling to prevent liquid from being drawn into electric parts.**

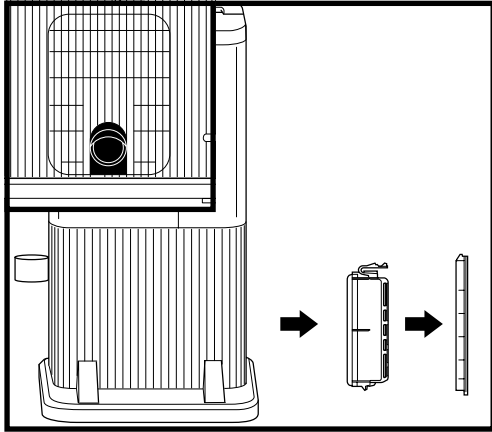
Clean the pre-motor and post-motor filters as least once a month. Tap off loose dirt between washes when needed. More frequent cleaning may sometimes be necessary with heavy use.

**IMPORTANT: DO NOT** use soap when cleaning the filters. Use water only. The vacuum will not have suction if the post-motor filter is not installed. Ensure that all filters are installed before using.



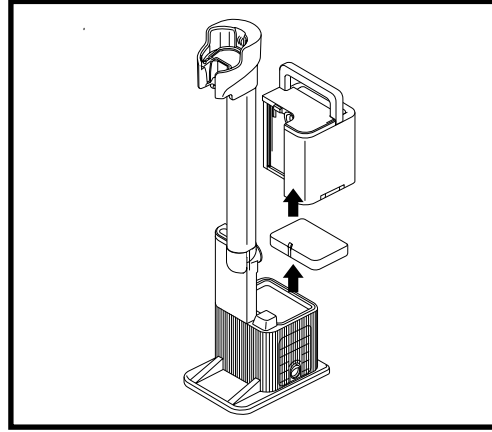
## MAINTAINING YOUR VACUUM

### CLEANING THE AUTO-EMPTY DOCK FILTER



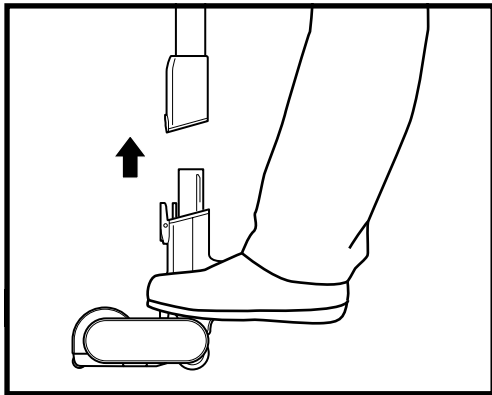
To access the filter in the dock, remove the Filter Door. Press the button at the bottom of the door, then tilt the door and lift it off. Remove the filter from the dock. After the filter has been rinsed and dried, reinstall it by reinserting it into the dock and replacing the filter door.

For best results, clean your Auto-Empty filters at least once a month and replace the filters regularly. To clean filters, rinse with cold water **ONLY** to prevent damage from cleaning chemicals. Allow all filters to air-dry for at least 24 hours before reinstalling them to prevent liquid from being drawn into electrical parts. Maintaining your Exhaust Foam Filter will ensure successful Auto-Empty evacuation.

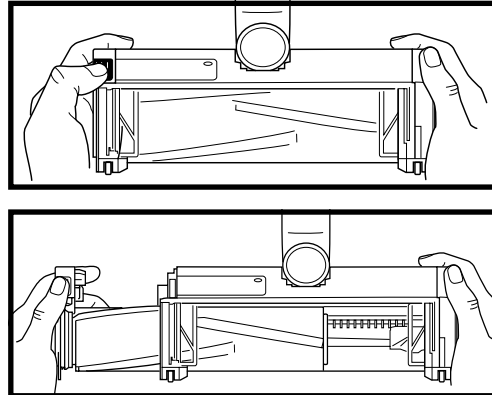


To access the the Auto-Empty Exhaust Foam Filter, remove the dust bin. Before removing the Exhaust Foam Filter, vacuum off any fine debris from the surface. Lift the Exhaust Foam Filter out of the dock, then rinse it with water only (do not use soap). Allow the filter to air-dry completely before reinstalling it.

### NOZZLE MAINTENANCE



1. Turn off the vacuum.
2. Press the nozzle release button to detach the nozzle from the wand.
3. Press the brushroll release button and slide the brushroll out of the nozzle.
4. Clear any blockages and remove any debris from the brushroll and floor nozzle.



5. Tap off loose debris and wipe the brushroll clean with a dry towel. Hand wash the brushroll if needed, using only water, and then let it air dry completely for at least 24 hours.
6. When the brushroll is dry, reinstall it into the nozzle by inserting it into the nozzle until it clicks.

## MAINTAINING YOUR VACUUM

### CLEANING THE SENSORS

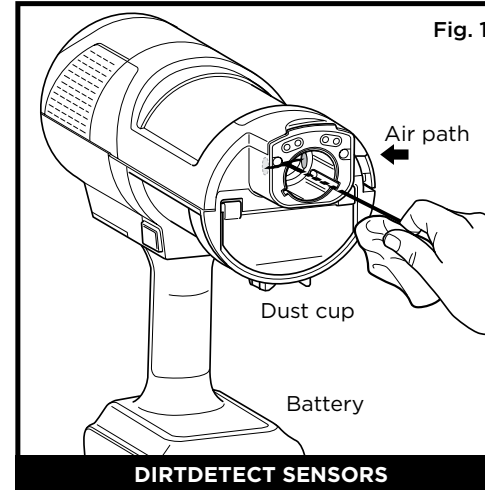


Fig. 1

Make sure to clean the Detect sensors regularly, as hair and other debris may build up and obstruct them. If the sensors are partially obstructed, Auto mode will not function as expected.

#### To clean the sensors :

1. Turn off power and remove the floor nozzle.
2. Locate the DirtDetect Sensor in the nozzle of the hand vac (Fig. 1), the LightDetect Sensor on the top of the nozzle (Fig. 2), and the EdgeDetect sensor on the side of the nozzle (Fig. 3).
3. Gently wipe the sensors with a microfiber cloth and remove all hair and debris.
4. Reattach the floor nozzle to the rest of the unit and turn on power. Verify that the unit is functioning normally.

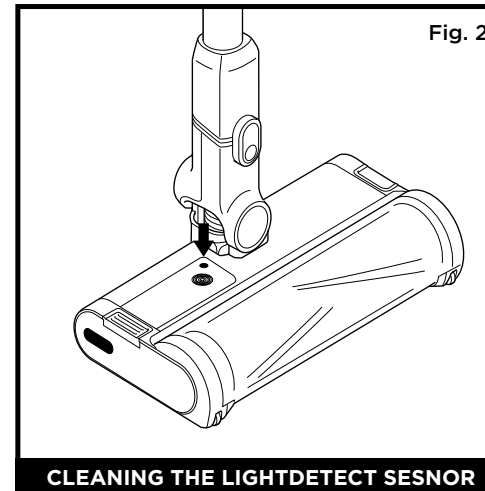
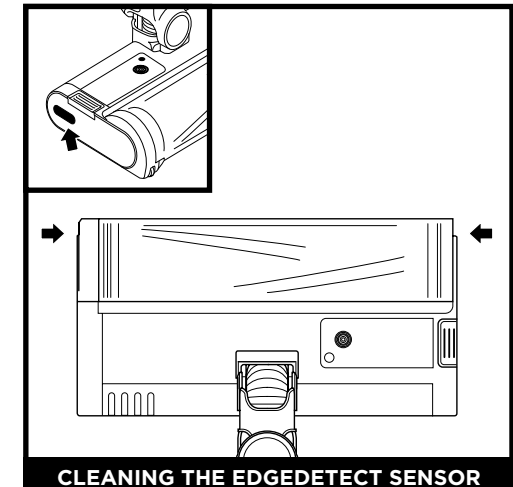


Fig. 2

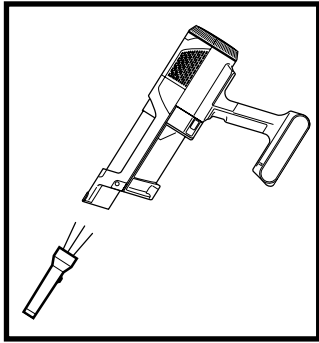
CLEANING THE LIGHTDETECT SESNOR



CLEANING THE EDGEDETECT SENSOR

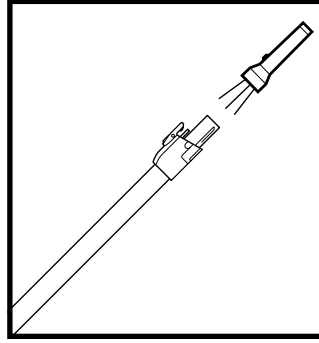
CHECKING FOR BLOCKAGES IN THE VACUUM

If you run over a hard or sharp object or notice a noise change while vacuuming, check for blockages or objects caught in the brushroll.



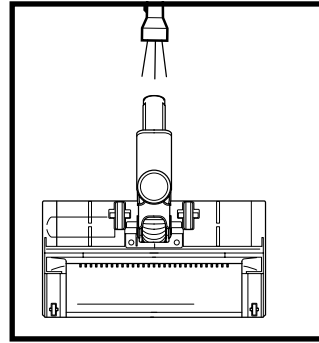
**Checking for Blockages in the Hand Vacuum:**

1. Turn off the vacuum.
2. Remove the hand vacuum from the wand.
3. Check all intake openings to the dust cup and remove any debris or blockages.



**Checking for Blockages in the Wand:**

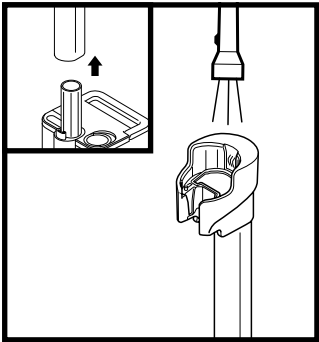
1. Turn off the vacuum.
2. Detach the hand vacuum and floor nozzle from the wand.
3. Check both ends of the wand for blockages and debris.
4. Clear away any debris or blockages.



**Checking for Blockages in the Floor Nozzle:**

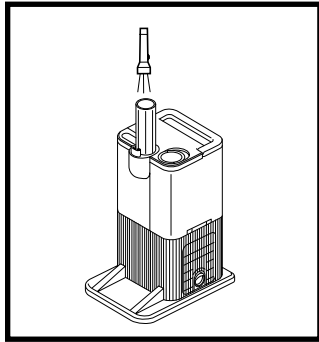
1. Turn off the vacuum.
2. Detach the wand from the floor nozzle.
3. Press the brushroll release button and slide the brushroll out of the nozzle.
4. Clear any blockages and release any debris from the brushroll and floor nozzle.
5. Slide the brushroll back into the nozzle, ensuring everything is lined up and in place.

CHECKING FOR BLOCKAGES IN THE AUTO-EMPTY DOCK



**Checking for Blockages in the Charging Post:**

1. Unplug the dock.
2. Remove the vacuum from the dock.
3. Press the latch on the back of the charging post and lift the post away from the dock.
4. Check the end of the charging post and top of the dock for any debris or blockages.



**Checking for Blockages in the Dock:**

1. Unplug the dock.
2. Remove the vacuum from the dock.
3. Remove the dust bin from the dock.
4. Check the exit for any debris or blockages.

TROUBLESHOOTING

**⚠ WARNING: To reduce the risk of shock and unintended operation, turn off power and remove the battery before servicing.**

**Vacuum is not picking up debris. No suction or light suction. Third indicator light on hand vacuum is solid yellow. (Refer to Checking for Blockages section for more information.)**

1. Dust cup may be full; empty dust cup.
2. Check floor nozzle for blockages; clear blockages if required.
3. Remove any string, carpet fibers, or hair that may be wrapped around the brushroll.
4. Check connection between hand vacuum and wand for blockages; clear blockages if required.
5. Check filters to see if they need cleaning. Follow instructions for rinsing and completely air-drying the filters before reinstalling them.

**Vacuum lifts area rugs.**

1. Make sure you are not engaging Boost mode. Take care when vacuuming area rugs or rugs with delicately sewn edges.
2. Turn off the unit to disengage from the carpet, then restart.

**The brushroll in the floor nozzle doesn't spin.**

1. Immediately turn off the vacuum. Remove any blockages before turning the vacuum back on. Make sure the hand vacuum is tilted back far enough for the brushroll to engage while in use.
2. If the floor nozzle has headlights and they are not illuminated, there is a connection issue between the hand vacuum, wand, and nozzle. Try detaching the parts, then reconnecting them.

**Vacuum turns off on its own.**

There are several possible reasons for the vacuum turning off on its own, including blockages, battery issues, and overheating. If vacuum turns off on its own, perform the following steps:

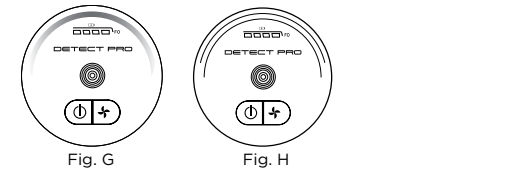
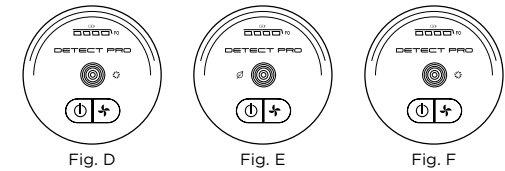
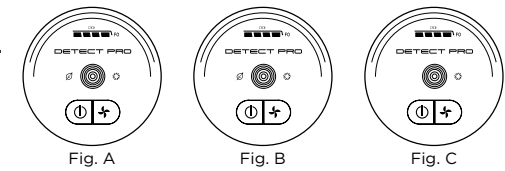
1. Turn on the vacuum and check the battery indicator lights on the hand vacuum. If recharging is needed, make sure vacuum power is off placing it on the charging dock.
2. Empty dust cup and clean filters (See the Cleaning the Dust Cup and Filter section).
3. Check wand, accessories, and inlet openings and remove any blockages.
4. Allow unit and battery to cool for at least 45 minutes, until they return to room temperature.
5. Press the On/Off switch to restart the vacuum.

**Battery Indicator Lights on hand vacuum are flashing.**

- Nozzle Ring Light flashes red (Fig. A): Nozzle clog. (See the Maintaining Your Vacuum section.)
- Contact a service center**

**if you experience any of the indications listed below:**

- ECO and BOOST LEDs are flashing (Fig. B): Overcurrent or short.
- All LEDs except ECO are flashing (Fig. C): Motor is overheating.
- All LEDs except ECO and AUTO are flashing (Fig. D): Overspeed.
- All LEDs except BOOST and AUTO are flashing (Fig. E): Communication.
- AUTO and BOOST LEDs are flashing (Fig. F): There may be an electrical problem with the nozzle.
- AUTO and UI RING are flashing (Fig. G): Debris Detect Error. Wipe debris detect sensor.
- HEADLIGHTS and AUTO LEDs are flashing (Fig. H): Edge Detect Error.



**NOTE:** If vacuum still does not operate properly, contact a service center.

## TECHNICAL SPECIFICATIONS

Voltage: 18V 

## ODOR NEUTRALIZER SPECIFICATIONS

1. Product Name: Odor Neutralizer Cartridge
2. Manufacturer: Shark Ninja 89 A Street, Needham, MA 02494
3. Weight: 17.4g / 0.61oz
4. Ingredients: Solid SM composite polymer C17 + fragrance SE 272235



### FCC WARNINGS

This equipment has been tested and found to comply with the limits for a Class B digital device, pursuant to parts 15 of the FCC Rules. These limits are designed to provide reasonable protection against harmful interference in a residential installation. This equipment generates, uses, and can radiate radio frequency energy and, if not installed and accordance with the instructions, may cause harmful interference to radio communications. However, there is no guarantee that interference will not occur in a particular installation. If this equipment does cause harmful interference to radio or television reception, which can be determined by turning the equipment off and on, the user is encouraged to try to correct the interference by one or more of the following measures:

- Reorient or relocate the receiving antenna.
- Increase the separation between the equipment and receiver.
- Connect the equipment into an outlet on a circuit different from that to which the receiver is connected.
- Consult the dealer or an experienced radio/TV technician for help.

This Device complies with part 15 of the FCC rules. Operation is subject to the following conditions:

- 1 This device may not cause harmful interference
  - 2 This device must accept any interference received, including interference that may cause undesired operation.
- Changes or modifications not expressly approved by the party responsible for compliance could void the user's authority to operate this device.

## BATTERY REMOVAL AND DISPOSAL

**This product uses a lithium-ion rechargeable and recyclable battery. When the battery no longer holds a charge, it should be removed from the vacuum and recycled. DO NOT incinerate or compost the battery.**

When your lithium-ion battery needs to be replaced, dispose of it or recycle it in accordance with local ordinances or regulations. In some areas, it is illegal to place spent lithium-ion batteries in the trash or in a municipal solid waste stream. Return spent battery to an authorized recycling center or to retailer for recycling. Contact your local recycling center for information on where to drop off the spent battery.

The RBRC™ (Rechargeable Battery Recycling Corporation) seal on the lithium-ion battery indicates that the costs to recycle the battery at the end of its useful life have already been paid by SharkNinja. In some areas, it is illegal to place spent lithium-ion batteries in the trash or municipal solid waste stream and the RBRC program provides an environmentally conscious alternative.

RBRC, in cooperation with SharkNinja and other battery users, has established programs in the United States and Canada to facilitate the collection of spent lithium-ion batteries. Help protect our environment and conserve natural resources by returning the spent lithium-ion battery to an authorized SharkNinja service center or to your local retailer for recycling. You may also contact your local recycling center for information on where to drop off the spent battery, or call 1-800-798-7398.

Accessory type and quantity may vary depending on the model.

- The image shown here is for illustrative purposes only and may be subject to change.



### PLEASE READ CAREFULLY AND KEEP FOR FUTURE REFERENCE.

This Owner's Guide is designed to help you get a complete understanding of your new Shark® Cordless Detect Pro™ Vacuum.

SharkNinja Operating LLC

Illustrations may differ from actual product. We are constantly striving to improve our products; therefore the specifications contained herein are subject to change without notice.

This product may be covered by one or more U.S. patents. See [sharkninja.com/patents](http://sharkninja.com/patents) for more information.

PRINTED IN MEXICO SC: 02-07-2024  
OBPN: IW1000\_IW3000\_IB\_E\_MP\_Mv10  
SHNMDL: IW3511\_B ELBRD: J.E.

814100198

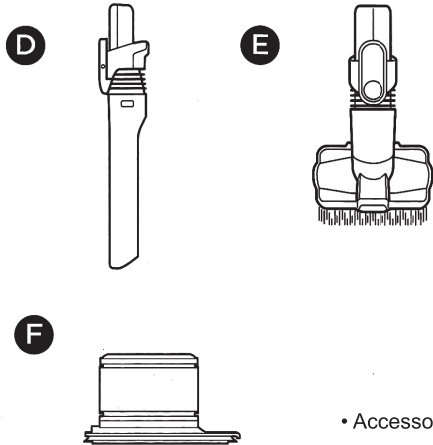


# SHARK® QUICK START GUIDE

## How to set up the IW3000 Series Shark® Cordless Detect Pro™ Auto-Empty System.

### WHAT'S INSIDE

- A Handheld Vacuum
- B Motorized Floor Nozzle
- C Wand
- D Crevice Tool
- E Pet Multi-Tool
- F HEPA Post-Motor Filter (Pre-Installed)



- Accessory type and quantity may vary depending on the model.
- The image shown here is for illustrative purposes only and may be subject to change.

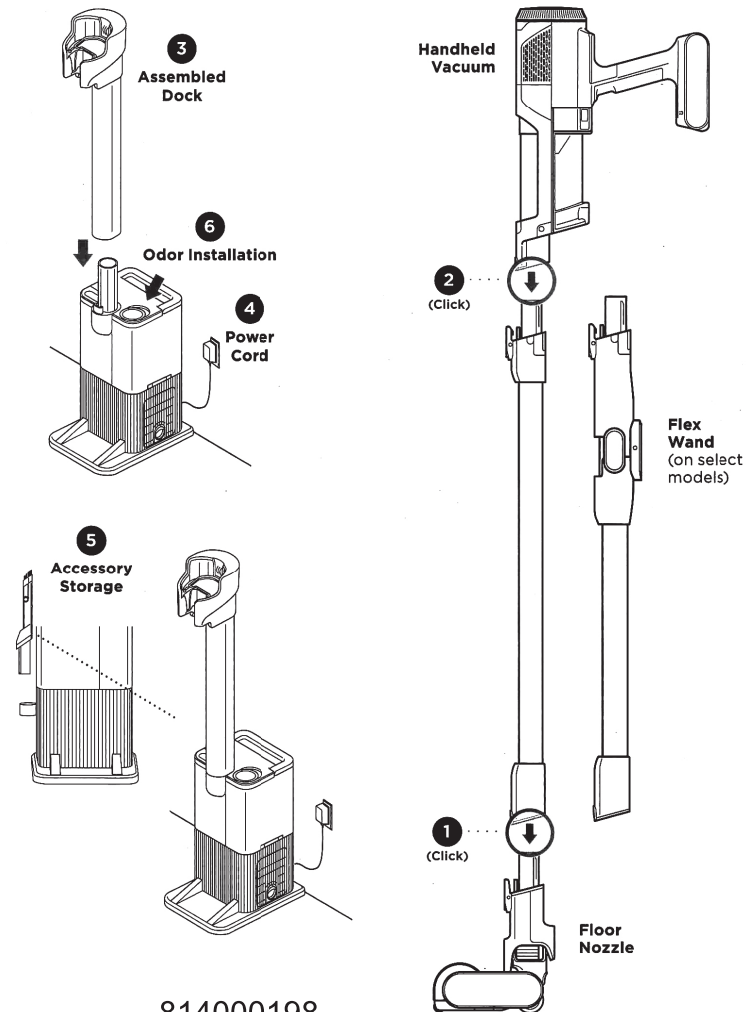
PRINTED IN MEXICO SC: 02-01-2024

OBPN: N/A MODELS:IW3511\_B

### ASSEMBLY

1. Slide the **Wand** onto the neck of the **Floor Nozzle** until it clicks into place.
2. Align the **Hand Vacuum** nozzle opening with the top of the wand and slide it on until it clicks into place.
3. Make sure the **Dock** is facing upright. Slide the **Charging Post** into the slot on front of dock until it clicks.
4. Place the dock on the floor near a wall outlet. Plug the **Power Cord** into the outlet, then connect the cord to the port on the back of the charging post.
5. Store the crevice tool accessory on the mount on the dock.
6. Flip up the dial handle on the Odor Neutralizer Technology cartridge, align the teal arrows, then insert the cartridge into the dock.

For proper operation, ensure all components are completely connected and clicked into place.



814000198

