

## Important safeguard

- Use this appliance only as described in this instruction manual. As with any electrical appliance, the instructions aim to cover as many situations as possible. Caution and common sense should be used when operating and installing this air conditioner.
- This appliance has been manufactured to cool and dehumidify domestic environments and must not be used for other purposes.
- It is dangerous to alter or modify the unit's characteristics in any way.
- The appliance must be installed in accordance with the relevant national legislation.
- Should repairs be necessary, contact a service center. Unauthorized servicing can be dangerous.
- The appliance is not intended for use by persons (including children) with reduced physical, sensory or mental capabilities, or lack of experience and knowledge, unless they have been given supervision or instruction concerning use of the appliance by a person responsible for their safety. Children should be supervised to ensure that they do not play with the appliance.
- If the power cable is damaged, it must be replaced by the manufacturer or an authorized technical service centre in order to avoid all risk.
- Always ensure the appliance is plugged into a grounded 3-prong outlet. If you have any doubts check with a qualified electrician.
- Do not use extension cables.
- Before cleaning or maintenance operations, always unplug the unit from the outlet.
- Do not pull on or place strain on the power cord when moving the appliance.
- The appliance should not be installed where the atmosphere may contain combustible gases, oil or sulphur, or near heat sources.
- Do not rest hot or heavy objects on the appliance.
- Clean the filters at least once a week.
- Avoid using heaters near the unit.
- The unit should be transported in a vertical position. If this is not possible secure the unit at an angle, do not lie it horizontally.
- Before transporting the unit, drain the unit. After transportation, wait at least 6 hours before switching the unit on.
- The packaging materials can be recycled. You are therefore recommended to place them in the special containers for differentiated waste collection.
- This appliance is fitted with a special safety device. When the compressor switches off, this device prevents it from switching on again for at least 3 minutes.
- WARNING:** Changes or modifications not expressly approved by the party responsible for compliance could void the user's authority to operate the equipment.

### Specific warnings for appliances with R410A refrigerant gas

R410A is a refrigerant that complies with European ecological standards; nevertheless, it is recommended not to pierce the cooling circuit of the machine. At the end of its useful life, deliver the appliance to a special waste collection centre for disposal.

This hermetically sealed system contains fluorinated greenhouse gases.

### ENVIRONMENTAL INFORMATION:

This unit contains fluorinated greenhouse gases covered by the Kyoto Protocol. Maintenance and disposal must be carried out by qualified personnel only (R410A, GWP=2088).

## Save these instructions

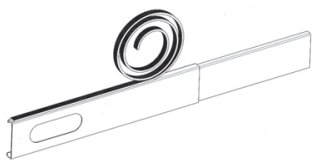
This product is for household only

### ELECTRIC CHARACTERISTICS

115V ~ 60Hz

### FOAM STRIPPING INSTRUCTIONS

- Extend the window bracket to the desired width.
- Remove the protection from the tape and apply it to the window bracket as shown in figure.

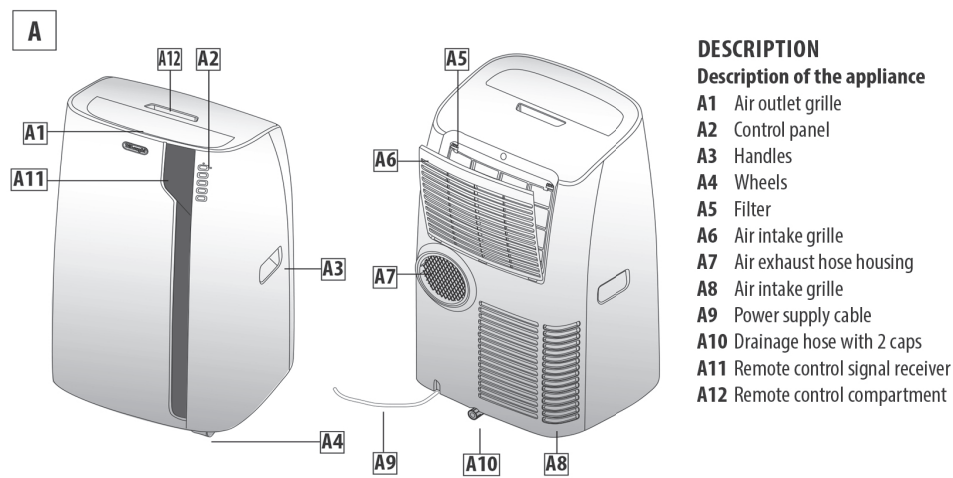


## Portable Air Conditioner

Instructions for use. Keep these instructions.

### EX SERIES

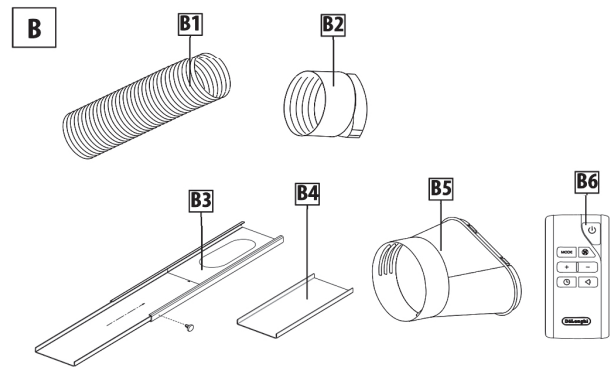
804109576



#### DESCRIPTION

##### Description of the appliance

- A1 Air outlet grille
- A2 Control panel
- A3 Handles
- A4 Wheels
- A5 Filter
- A6 Air intake grille
- A7 Air exhaust hose housing
- A8 Air intake grille
- A9 Power supply cable
- A10 Drainage hose with 2 caps
- A11 Remote control signal receiver
- A12 Remote control compartment



##### Description of accessories

- B1 Air exhaust hose
- B2 Hose adaptor
- B3 Window bracket
- B4 Additional window bracket
- B5 Window outlet
- B6 Remote control

#### Electrical connection

Before plugging the appliance into the outlet, check that:

- The outlet's power supply corresponds to the value indicated on the rating label on the back of the appliance;
- The outlet and electrical circuit are adequate for the appliance;

- The outlet is a 3-hole grounded outlet (C14). If this is not the case, you must choose another outlet. Failure to follow these important safety instructions absolves the manufacturer of all liability.

**If it becomes necessary, the power cable must be replaced by a qualified professional only.**

Accessory type, appearance and quantity may vary depending on the model. The image shown here is for illustrative purposes only and may be subject to change.

#### USE

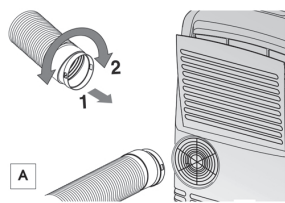
##### NOTE:

**This appliance is provided with an auto-evaporation feature for condensate removal during cooling and dehumidifying modes.**

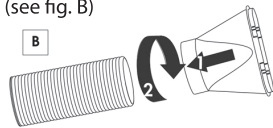
#### AIR CONDITIONING WITH INSTALLATION

For optimal results set-up your appliance in this way:

- Screw the hose adaptor and to the hose's end.
- Fit the assembled air exhaust hose in the housing at the back of the appliance. Insert it as shown in figure A.



Screw the window outlet to the other end of the exhaust hose (see fig. B)



#### AIR CONDITIONING WITHOUT INSTALLATION

You can also set-up in a double-hung window:

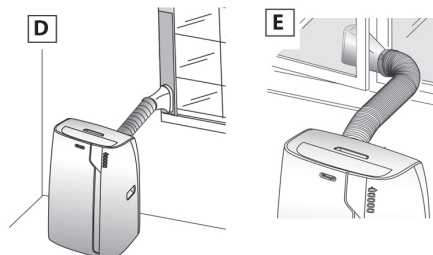
- Place the window bracket in the window sill, extend the bracket fully within the window frame, fix the bracket by using the pin then lower the window onto the bracket. (Should the window bracket be too large for the window. The plastic can be cut with a saw by a qualified professional.)

- Screw the hose adaptor to the hose's end.
- Fit the air exhaust hose in the relevant housing located on the rear side of the appliance.
- Screw the window outlet to the other end of the exhaust hose.
- Insert the window outlet of the exhaust hose into the slot of the window bracket figure C.



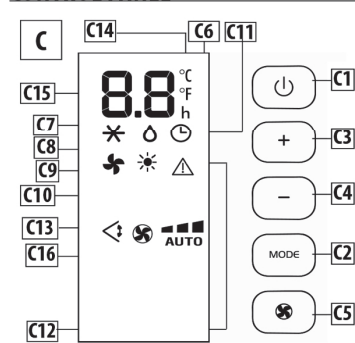
#### Other set-up methods:

- Thanks to the locking pins, it's possible to use the window bracket also for sliding windows. Position the hole of the bracket so to allow a correct installation of the exhaust hose (see figure D).



- If you have a casement window (E) proceed as follows:
- Screw the hose adaptor to the hose's end.
- Fit the assembled air exhaust hose in the relevant housing located on the rear side of the appliance. then, apply the window outlet to the air exhaust hose and place it outside the window to exhaust the hot air.

#### CONTROL PANEL



#### DESCRIPTION OF THE CONTROL PANEL (C)

- C1 ON/STAND-BY (on/off) key
- C2 Function selection key MODE (air conditioner, dehumidifier, fan)
- C3 Temperature increase key
- C4 Temperature decrease key
- C5 Fan speed selection key (MIN/MED/MAX/AUTO)
- C6 Hours indicator
- C7 Air conditioner symbol
- C8 Dehumidifier symbol
- C9 Fan symbol
- C10 Heating symbol (some models apply)
- C11 Timer symbol
- C12 Alarm symbol
- C13 Swing symbol
- C14 Selected temperature scale indicator
- C15 Set temperature values, programmed on/off time
- C16 Fan speed indicator

\*The descriptions of control panel and their locations may vary, depending on the model.

#### OPERATING FROM THE CONTROL PANEL

##### TURNING THE APPLIANCE ON/OFF



Before plugging the appliance check the cap on back of the unit are correctly inserted on drainage hose

Insert the plug in the socket. Two dashes appear on the display indicating that the appliance is in stand-by.

Touch the (C1) key to turn on the appliance.

The flap A1 will open after few seconds.

When the appliance comes on, the last function set before it was shut off is activated.

**NOTE:** If start-up is not continued, after a few minutes the display light dims in order to reduce energy consumption.

To turn the appliance off, touch the (C1) key and then pull the plug.

**NOTE:** Never turn off the air conditioner by simply pulling the plug. Touch the (C1) key in order to put your air conditioner in stand-by and wait a few minutes before pulling the plug. In this manner, the appliance can perform the operating status checks.

##### AIR CONDITIONING MODE



This is ideal for hot and humid weather when the room needs to be both cooled and dehumidified.

To correctly set this mode:

- Touch the **MODE** key until the air conditioning symbol appears. The display will show the desired temperature.
- To change the temperature to be reached, touch the + (C3) key or the - (C4) key.
- Select the desired fan speed by touching the (C5) key.

The speeds available are:

**Minimum speed:** when maximum silent operation is desired.

**Medium speed:** when the noise level needs to be low but with a good comfort level.

**Maximum speed:** to reach the desired temperature as soon as possible.

**AUTO** The appliance automatically chooses the best fan speed based on the temperature selected and the environmental conditions.

The most suitable temperatures during the summer range from 75 to 81°F. However, setting the temperature significantly lower than the outdoor temperature is not recommended.

##### DEHUMIDIFYING MODE



This is ideal for reducing humidity in the room (spring and autumn, damp rooms, rainy periods, etc. For this type of use, the appliance must be set up as for air conditioner mode. That is, the air exhaust hose must be fitted to the appliance to allow the humidity to be discharged outside.

To correctly set this mode:

- Touch the **MODE** key until the dehumidifier symbol appears.
- The appliance automatically chooses the best fan speed.

##### FAN MODE



When using this mode, the air exhaust hose does not need to be attached to the appliance.

To correctly set this mode:

- Touch the **MODE** key until the fan symbol appears.
- Select the desired fan speed by touching the key (C5).

The speeds available are:

**Minimum speed:** when maximum silent operation is desired.

**Medium speed:** when the noise level needs to be low but with a good fan level.

**Maximum speed:** for maximum fan power.

##### HEATING MODE (Some models apply)



This is ideal in spring and autumn when outdoor temperatures are not particularly severe. For this mode, the appliance should be prepared in the same way as for air conditioning, with the air exhaust hose attached.

To set this mode:

- Touch repeatedly the **MODE** button until the heating symbol is displayed.
- Touch the increase (C3) or decrease (C4) keys to adjust the desired temperature.

##### Notes:

- In this mode, the air flow is selected automatically by the appliance and cannot be set manually.
- When operating in very cold rooms, the appliance defreezes automatically, momentarily interrupting normal operation. In this case, "L" appears on the display. During this operation, it is normal for the noise made by the appliance to change.
- In this mode, you may have to wait a few minutes before the appliance starts giving out hot air.
- In this mode, the fan may operate for short periods, even though the set temperature has already been reached.
- It may happen that the display shows "HL" alarm. In this case, empty the internal water tank following the instructions in the Section "End of Season operations". After, press again the (C1) button to restore the heating function.

## SELECT THE TEMPERATURE SCALE



The temperature can be displayed in °C or °F. To change the temperature unit of measure touch both keys “+” and “-” for about 10 sec.

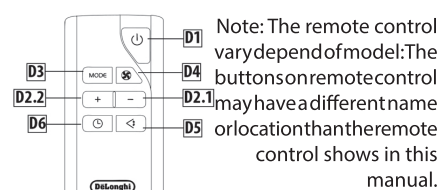
## OPERATING FROM THE REMOTE CONTROL

### USING THE REMOTE CONTROL

- Point the remote control at the receiver (A11) on the air conditioner. The remote control must be no more than 16 ft (5 metres) away from the appliance (without obstacles between the remote control and the receiver).
- The remote control must be handled with care. Do not drop it or expose it to direct sunlight or sources of heat.

### DESCRIPTION OF THE REMOTE CONTROL

- D1) ON/STAND-BY button
- D2.1) Temperature decrease / programmed operation button
- D2.2) Temperature increase / programmed operation button
- D3) MODE function button
- D4) Fan speed selection button
- D5) Swing button (flap swing)
- D6) Timer button



### TURNING THE APPLIANCE ON

- Plug into the outlet.
- Press the button (D1) (when turned on, the air conditioner starts operating in the same mode as when it was turned off).
- To switch the appliance off, press button (D1) , then remove the plug.

**NOTE:** Never switch the appliance off by removing the plug. Always switch it off by pushing on the button and waiting few minutes before removing the plug. Only in this way the appliance will perform the standard checkings.

### SELECTING THE OPERATING MODES

The commands available on the remote control correspond to those on the appliance control panel.

Therefore, refer to the instructions in the previous chapters.

**NOTE:** The special functions D5-D6, are available from the remote control only.

### SWING BUTTON

The SWING button (D5) moves the grille flap, evenly distributing the air into the room.

When the SWING button is pressed, the flap will begin to move forwards and backwards alternatively.

If pressed again, the flap will be locked into its current position. When the button is next pressed, the flap will start to move forwards and backwards again.

**NOTE:** In order to avoid damaging the internal mechanisms, the flap must not be moved manually.

### SETTING THE TIMER



The timer allows for the delayed start up or shut down of the appliance. This function will prevent wasting electricity by optimising the operating periods.

#### How to program delayed start up

- Plug in the appliance and set to standby.
- Press the timer key (D6): the timer symbol (C11) and hours (C6) light up.
- Use the + (D2.2) or - (D2.1) key to set the number of hours until the appliance should start up.

When the set time is elapsed, the appliance will start to operate in the same operating mode that was previously set.

Start up can be programmed at any time within the 24 hours that follow. A few seconds after the timer is set, the setting is acquired. The timer symbol stays lit and the display returns to standby.

To cancel the timer program, touch the timer key (D6) twice.

#### How to program delayed shut down

- While the appliance is on in any operating mode, delayed shut down can be programmed.
- Press the timer key (D6): The timer symbol (C11) and hours (C6) light up.
- Use the + (D2.2) or - (D2.1) key to set the number of hours until the appliance will shut down.

A few seconds after the timer is set, the setting is acquired, the display shows the operating mode and the timer symbol stays lit.

Once the set time is elapsed, the air conditioner goes into standby.

To cancel the timer program, touch the timer key (D6) twice. The timer symbol (C11) will go off.

### INSERTING OR REPLACING THE BATTERIES (NOT SUPPLIED)

- Remove the cover on the rear of the remote control;
- Replace the old batteries with two new R03 “AAA” 1.5V batteries, inserting them correctly (see the instructions inside the battery compartment);
- Replace the cover.

If the remote control unit is replaced or discarded, the batteries must be removed and disposed of in accordance with current legislation as they are harmful to the environment. Do not mix old and new batteries.

Do not mix alkaline, standard (carbon-zinc) or rechargeable (nickel-cadmium) batteries. Do not dispose of batteries in fire. Batteries may explode or leak. If the remote control is not be used for a certain length of time, remove the batteries.

### Note:

- This equipment has been tested and found to comply with the limits for a Class B digital device, pursuant to part 15 of the FCC Rules. These limits are designed to provide reasonable protection against harmful interference in a residential installation.
- This equipment generates, uses and can radiate radio frequency energy and, if not installed and used in accordance with the instructions, may cause harmful interference to radio communications. However, there is no guarantee that interference will not occur in a particular installation. If this equipment does cause harmful interference to radio or television reception, which can be determined by turning the equipment off and on, the user is encouraged to try to correct the interference by one or more of the following measures:

- Reorient or relocate the receiving antenna.
- Increase the separation between the equipment and receiver.
- Connect the equipment into an outlet on a circuit different from that to which the receiver is connected.
- Consult the dealer or an experienced radio/TV technician for help.

Changes or modifications not expressly approved by the party responsible for compliance could void the user's authority to operate the equipment.

- This device complies with Part 15 of the FCC Rules. Operation is subject to the following two conditions: (1) this device may not cause harmful interference, and (2) this device must accept any interference received, including interference that may cause undesired operation.
- This Class B digital apparatus complies with Canadian ICES-003.

## SELF-DIAGNOSIS

The appliance has a self diagnosis system to identify a number of malfunctions.

Error messages are displayed on the appliance display.

IF THE FOLLOWING APPEARS ON THE DISPLAY...	IF THE FOLLOWING APPEARS ON THE DISPLAY...	IF THE FOLLOWING APPEARS ON THE DISPLAY...
“Low Temperature”	“High Level”	“Probe Failure”
... DO THE FOLLOWING	... DO THE FOLLOWING	... DO THE FOLLOWING
The appliance has a defrosting device that prevents excessive ice build ups. The appliance automatically starts operating again once the defrosting process is complete.	Empty the inner water tray by following the instructions in the paragraph “END OF SEASON OPERATIONS”. If the error occurs again, please contact a service center.	If this appears, please contact a service center.

## CLEANING

Before cleaning or maintenance, turn the appliance off by touching the button, then unplug from the outlet.

### CLEANING THE CABINET

You should clean the appliance with a slightly damp cloth then dry with a dry cloth. For safety reasons, never wash the air conditioner with water.

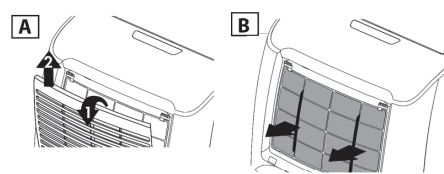
#### Precautions

Never use petrol, alcohol or solvents to clean the appliance. Never spray insecticide liquids or similar.

### CLEANING THE AIR FILTER OR SILVER-ION AIR FILTER (IF FITTED)

To maintain the efficiency of the air conditioner, it is recommended to clean the dust filter after every week of use.

The filter is located near the intake grille. Remove the grille to access the filter. To clean the filter, it will need to be extracted as shown in fig. A-B



Use a vacuum cleaner to remove any dust deposited on the filter. If it is very dirty, submerge it into warm water and rinse it several times. The water temperature must be kept below 104° F.

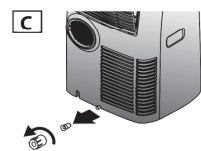
After washing the filter, allow it to dry. To replace, put the filter back in its housing. If present, the silver-ion air filter not only retains powder particles, but also performs an efficient antibacterial action. In addition, it greatly reduces irritants such as pollen and spores. The filter is treated with small particles of silver (with dimensions equal to millionths of a millimetre) which are able to block the multiplication of bacteria and spores when in contact with them, and therefore encourage their destruction.

### CHECKS AT THE START OF THE SEASON

Make sure the power cable and socket are in perfect condition and make sure the earthing system is efficient. Comply strictly with the installation standards.

### END OF SEASON OPERATIONS

To completely drain the water from the internal circuit, remove the cap from the outside of the drainage hose, turning it counter clockwise. Then remove the internal cap (fig. C). Drain the water completely into a basin. When it is completely drained, replace the caps, making sure they are completely closed. Clean the filter as indicated previously. The filter must be completely dry before reinserting it.



When the appliance is empty, replace the caps. Clean the filter and dry thoroughly before putting back.

### TECHNICAL SPECIFICATIONS see rating label

#### LIMIT CONDITIONS

Room temperature for air conditioning 64 ÷ 95°F (18° ÷ 35°C)

**Transport, filling, cleaning, recovery and disposal of refrigerant should be performed by a technical service centre appointed by the manufacturer only.**

**The appliance should be disposed of by a specialist centre appointed by the manufacturer only.**

#### TO AVOID DAMAGE TO THE UNIT:

NEVER TRANSPORT OR TURN THE APPLIANCE UPSIDE DOWN OR ON ITS SIDE. IF THIS OCCURS, WAIT 6 HOURS BEFORE TURNING THE APPLIANCE ON, 24 HOURS IS RECOMMENDED. After the unit has been on its side, oil needs to return to the compressor to ensure proper function. Without allowing the unit this time (6-24 hours) the unit may function for only a short time, and then the compressor will break down from lack of oil.

## TROUBLESHOOTING

PROBLEMS	CAUSES	SOLUTIONS
The air conditioner does not turn on	It is not plugged in	plug it in
	there is no power	wait
	the internal protection device was triggered	call a service center.
The air conditioner works for a short period of time	the air exhaust hose is obstructed or bent	correctly position the air exhaust hose, limiting the length and curves as much as possible and avoiding any obstructions
	an obstruction is impeding air exhaust outside	identify and remove the obstacles that impede air exhaust outside
The air conditioner runs but does not cool the room	windows, doors, drapes open	close the windows, doors and drapes, keeping in mind the “recommendations for proper use”
	there is some heat source in the room (oven, hair dryer, etc.)	eliminate the heat source
	the air exhaust hose is disconnected from the appliance	attach the air exhaust hose to the housing on the back of the appliance (fig.1)
	dust filters clogged	clean or replace the filters as previously described
During operation there is an unpleasant odour in the room	dust filters clogged	clean or replace the filters as previously described
The air conditioner does not work for about 3 minutes from restart	to protect the compressor there is an internal device that delays startup for about 3 minutes from restart	wait; this time delay from restart is normal
The display shows the  symbol with one of the following messages: HL/PF	the appliance has a self-diagnosis system that identifies some operating errors	refer to the SELF-DIAGNOSIS chapter

## REFURBISHED PRODUCT LIMITED THIRTY DAY WARRANTY

The **Refurbished Product Service Center** offers the following WARRANTY to the ORIGINAL purchaser of a product which we have refurbished.

This product that has been refurbished is warranted against any electronic or mechanical defects for a period of THIRTY DAYS from the date of the original purchase by the consumer. Since this unit was sold as a refurbished item, the warranty does not apply to any cosmetic appearance items such as scratches. Should a defect occur, the **Refurbished Product Service Center** will repair or, at its option, replace defective unit/parts with new or rebuilt materials without charge for either parts or labor. Replacement unit/parts will be warranted for the remaining portion of the original warranty period.

This warranty does not cover installation or damage from accident, misuse, abuse, improper wiring, incorrect voltage, operating the unit against the instructions in the owner's manual or any product which has been opened, altered, or tampered with.

This warranty does not cover costs for removal and or installation of the unit for repair. Under no circumstances shall the service center be liable for any special, incidental or consequential damages or for any other expenses incurred by reason of use or sale of this product. This warranty is in lieu of any other warranties expressed or implied warranty of merchantability of fitness for particular use or otherwise.

This warranty gives the consumer specific legal rights and they may also have other rights which vary from State to State. Some States do not follow the exclusion or limitation of incidental or consequential damages, hence the above exclusion and limitations may not apply.

**Refurbished Product Service Center**  
13225 Marquardt Avenue Santa Fe Springs, CA 90670

## WARRANTY REPAIR INFORMATION

If you need service on your unit during the 30 day warranty period; please go to [www.ConsumerServiceRefurbish.com](http://www.ConsumerServiceRefurbish.com) or call the Refurbished Product Service Center at 562-946-3531 to obtain the required claim number. Once you obtain your claim number, pack the unit properly (the original carton is ideal for this purpose) along with a copy of your purchase receipt. Send the unit freight prepaid and insured to:

**Refurbished Product Service Center,**  
**Att: Customer Service Department 13225 Marquardt Avenue Santa Fe Springs, CA 90670**

Your unit will be promptly exchanged and returned to you.  
We will refuse to accept delivery of the returned unit unless the assigned claim number appears on the outside of the shipping carton.

**Owner's Information**  
(Keep for your permanent records)

NAME: \_\_\_\_\_  
ADDRESS: \_\_\_\_\_  
CITY: \_\_\_\_\_ STATE: \_\_\_\_\_ ZIP CODE: \_\_\_\_\_  
PHONE: \_\_\_\_\_ E-MAIL: \_\_\_\_\_  
MODEL: \_\_\_\_\_ SERIAL NO.: \_\_\_\_\_

W

Printed in Mexico

SC: 09.06.2019 - elbr: i.a.

OBPN: 5715112551/01.17 &

5715112851\_00\_1217

Pags. TAB

shnmdl:PACEX270/290

804109576

