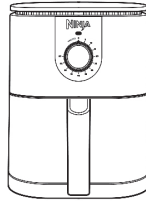




AIR FRYER



IMPORTANT SAFETY INSTRUCTIONS

PLEASE READ CAREFULLY BEFORE USE • FOR HOUSEHOLD USE ONLY

- Read and review instructions to understand operation and use of product.
- Indicates the presence of a hazard that can cause personal injury, death or substantial property damage if the warning included with this symbol is ignored.
- Avoid contact with hot surface. Always use hand protection to avoid burns.
- For indoor and household use only.

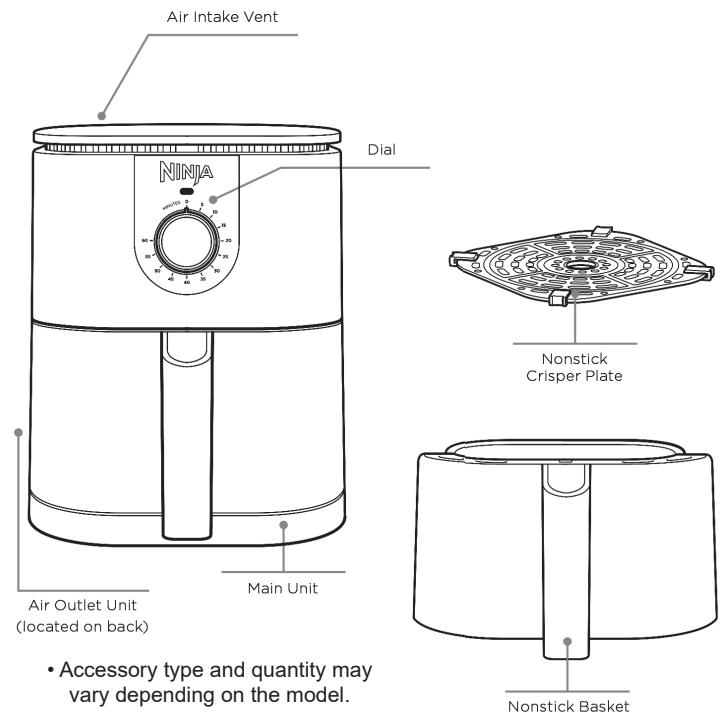
WARNING

To reduce the risk of injury, fire, electrical shock or property damage, basic safety precautions must always be followed, including the following numbered warnings and subsequent instructions. Do not use appliance for other than intended use.

- 1 To eliminate a choking hazard for young children, discard all packaging materials immediately upon unpacking.
- 2 This appliance can be used by persons with reduced physical sensory or mental or lack experience and if they have been given supervision or instruction concerning use of the appliance in a safe way and understand the hazards involved.
- 3 Keep the appliance and its cord out of reach of children. **DO NOT** allow the appliance to be used by children. Close supervision is necessary when used children.
- 4 Children should not play with the appliance.
- 5 This appliance has a polarized plug (one blade is wider than the other). To reduce the risk of electric shock, this plug is intended to fit into a polarized outlet only one way. If the plug does not fit fully into the outlet, reverse the plug. If it still does not fit, contact a qualified electrician. **DO NOT** attempt to modify the plug in any way.
- 6 **DO NOT** place or store anything on top of product when in use.
- 7 **DO NOT** place appliance on hot surfaces or near a hot gas or electric burner, on or in a heated oven or stovetop.
- 8 **NEVER** use electrical outlet below counter.
- 9 **NEVER** connect this appliance to an external timer switch or separate remote-control system.
- 10 **DO NOT** use an extension cord. A short power-supply cord is used to reduce the risk of children less than 8 years grabbing the cord or becoming entangled and to reduce the risk of people tripping over a longer cord.
- 11 To protect against electrical shock **DO NOT** immerse cord, plugs, or main unit housing in water or other liquid. Cook only in the drawer provided.
- 12 Regularly inspect the appliance and power cord. **DO NOT** use the appliance if there damage to the power cord or plug. If the appliance or has been damaged in any way, immediately stop use and call Customer Service.
- 13 **ALWAYS** ensure the appliance is properly assembled before use.
- 14 **DO NOT** cover the air vent or air outlet while unit is operating. Doing so will prevent even cooking and may damage the unit or cause it to overheat.
- 15 Before placing removable drawer into the main unit, ensure drawer and unit are clean and dry by wiping with a soft cloth.
- 16 This appliance for household use only. **DO NOT** use this appliance for anything other than its intended use. **DO NOT** use in moving vehicles or boats. **DO NOT** use outdoors. Misuse may cause injury.
- 17 Intended for worktop use only Ensure the surface is level, clean and dry. **DO NOT** move the appliance when in use.
- 18 **DO NOT** place the appliance near the edge of a worktop during operation.
- 19 **DO NOT** use accessory attachments not recommended or sold by SharkNinja. **DO NOT** place accessory in a microwave, toaster oven, convection oven, or conventional oven or on a ceramic cooktop, electric coil, gas burner range or outdoor grill. The use of accessory attachments not recommended by SharkNinja may cause fire, electric shock or injuries.
- 20 **ALWAYS** ensure drawer is properly closed before operating.
- 21 When using this appliance, provide adequate space above and on all sides for air circulation.
- 22 **DO NOT** use the appliance without the removable drawer installed.
- 23 **DO NOT** use this appliance for deep-frying.
- 24 Prevent food contact with heating elements. **DO NOT** overfill when cooking. Overfilling may cause personal injury or property damage or affect the safe use of the appliance.
- 25 Electrical outlet voltages can vary, affecting the performance of your product. To prevent possible illness, use a thermometer to check that your food is cooked to the temperatures recommended.
- 26 Should the unit emit black smoke, unplug immediately. Wait for smoking to stop before removing any cooking accessories.
- 27 **DO NOT** touch hot surfaces. Appliance surfaces are hot during and after operation. To prevent burns or personal injury, **ALWAYS** use protective hot pads or insulated oven mitts and use available handles.
- 28 Extreme caution must be used when the appliance contains hot food. Improper use may result in personal injury.
- 29 Spilled food can cause serious burns. Keep appliance and cord away from children. **DO NOT** let cord hang over edges of tables or counters or touch hot surfaces.
- 30 The drawer and crisper plate become extremely hot during the cooking process. Avoid physical contact while removing the drawer or plate from the appliance. **ALWAYS** place drawer or plate on a surface after removing. **DO NOT** touch accessories during or immediately after cooking.
- 31 Cleaning and user maintenance should not be carried out by children.
- 32 To disconnect, turn off any control to OFF, then unplug from electrical outlet when not in use and before cleaning. Allow to cool before cleaning, disassembly, putting in or taking off parts and storage.
- 33 **DO NOT** clean with metal scouring pads. Pieces can break off the pad and touch electrical parts, creating the risk of electric shock.
- 34 Please refer to the Cleaning Maintenance section for regular maintenance of the appliance.

SAVE THESE INSTRUCTIONS

PARTS & ACCESSORIES



GETTING TO KNOW YOUR AIR FRYER



Rotate dial clockwise to select cook time (1-60 minutes). Light will illuminate during cook cycle.

• The images shown here are for illustrative purposes only and may be subject to change, the actual descriptions of control panel and their locations may vary depending on the model.

BEFORE FIRST USE

- 1 Remove and discard any packaging material from the unit.
- 2 Remove all accessories from the package and read this manual carefully. Please pay particular attention to operational instructions, warnings, and important safeguards to avoid any injury or property damage.
- 3 Wash the nonstick basket and crisper plate in hot, soapy water, then rinse and dry thoroughly. **NEVER** clean the main unit in the dishwasher.

USING YOUR AIR FRYER

TO BEGIN COOKING

To turn on the unit, first plug the power cord into a wall outlet.

- 1 Ensure the crisper plate is in the basket.



- 2 Place ingredients on the crisper plate that is assembled in the basket. Insert the basket in the unit.
- 3 Rotate the dial clockwise to select the cook time (1-60 minutes) and begin cooking. Light will illuminate indicating the cook cycle has begun.

NOTE: No preheat is required. The unit is designed for traditional air frying at 400°F.

- 4 When the cook time is complete, the timer will beep. Remove ingredients by dumping them out or with oven mitts or silicone-tipped tongs/utensils.

CLEANING YOUR AIR FRYER

The unit should be cleaned thoroughly after every use. Unplug the unit from the wall outlet before cleaning.

Part/Accessory	Cleaning Method	Dishwasher Safe?
Main Unit	To clean the main unit and the control panel, wipe them clean with a damp cloth. NOTE: NEVER immerse the main unit in water or any other liquid. NEVER clean the main unit in a dishwasher.	No
Crisper Plate	The crisper plate must be washed by hand. Be sure to air-dry or towel-dry all parts after use.	No
Basket	The basket can be washed in the dishwasher or by hand. If hand-washing, air-dry or towel-dry all parts after use. *To extend the life of your basket, we recommend hand-washing it.	Yes*

If food residue is stuck on the crisper plate or basket, place them in a sink filled with warm, soapy water and allow to soak. **DO NOT** use harsh abrasives or scouring pads as these can damage the nonstick coating.

HELPFUL TIPS

- For consistent browning, make sure ingredients are arranged in an even layer on the bottom of the basket with no overlapping. If ingredients are overlapping, make sure to shake them halfway through the set cook time.
- The cook time can be adjusted at any time during the cook cycle. Simply rotate the dial clockwise to add additional time. To end the cook cycle early, rotate the dial counterclockwise until you reach 0 minutes. The unit will ding to indicate completion.
- Occasionally, the fan from the air fryer will blow lightweight foods around. To alleviate this, secure foods (like the top slice of bread on a sandwich) with toothpicks.
- The crisper plate elevates ingredients in the basket so air can circulate under and around them for even, crisp results.
- For best results, remove food immediately after the cook time is complete to avoid overcooking.
- For best results with fresh vegetables and potatoes, use at least 1 tablespoon of oil. Add more oil as desired to achieve the preferred level of crispiness.
- For best results, check progress throughout cooking, and remove food when desired level of brownness has been achieved. We recommend using an instant-read thermometer to monitor internal temp of proteins. After the cook time is complete remove food immediately to avoid overcooking.

TROUBLESHOOTING GUIDE

- Why won't the temperature go any higher?**
The unit was designed to maintain a cook temperature of 400°F only.
- Do I need to defrost frozen foods before air frying?**
It depends on the food. Follow package instructions.
- Is the basket safe to put on my countertop?**
The basket will heat during cooking. Use caution when handling, and place on heat-safe surfaces only.
- How do I know when to use the crisper plate?**
Use the crisper plate when you want food to come out crispy. The plate elevates the food in the basket so that air can flow under it to cook ingredients evenly.
- My food didn't cook.**
Make sure the basket is fully inserted during cooking. For consistent browning, make sure ingredients are arranged in an even layer on the bottom of the basket with no overlapping. Shake basket to toss loose ingredients for even crispiness.
- My food is burned.**
For best results, be sure not to overfill the pot with food (reference the max fill line for guidance). Check progress throughout cooking and remove food when desired level of brownness has been achieved. Remove food immediately after the cook time is complete to avoid overcooking.
- Why do some ingredients blow around when air frying?**
Occasionally, the fan from the air fryer will blow lightweight foods around. Use toothpicks to secure loose lightweight food, like the top slide on a sandwich.
- Can I air fry wet, battered ingredients?**
Yes, but use the proper breading technique. It is important to coat foods first with flour, then with egg, and then with bread crumbs. Press breading firmly onto all battered ingredients, so crumbs won't be blown off by the fan.
- Why did the unit beep?**
The food is done cooking.

- The image shown here is for illustrative purposes only and may be subject to change.

REFURBISHED PRODUCT LIMITED NINETY DAYS WARRANTY

The **Refurbished Product Service Center** offers the following WARRANTY to the ORIGINAL purchaser of a product which we have refurbished.

This product that has been refurbished is warranted against any electronic or mechanical defects for a period of NINETY DAYS from the date of the original purchase by the consumer. Since this unit was sold as a refurbished item, the warranty does not apply to any cosmetic appearance items such as scratches. Should a defect occur, the **Refurbished Product Service Center** will repair or, at its option, replace defective unit/parts with new or rebuilt materials without charge for either parts or labor. Replacement unit/parts will be warranted for the remaining portion of the original warranty period.

This warranty does not cover installation or damage from accident, misuse, abuse, improper wiring, incorrect voltage, operating the unit against the instructions in the owner's manual or any product which has been opened, altered, or tampered with.

This warranty does not cover costs for removal and or installation of the unit for repair. Under no circumstances shall the service center be liable for any special, incidental or consequential damages or for any other expenses incurred by reason of use or sale of this product. This warranty is in lieu of any other warranties expressed or implied warranty of merchantability of fitness for particular use or otherwise.

This warranty gives the consumer specific legal rights and they may also have other rights which vary from State to State. Some States do not follow the exclusion or limitation of incidental or consequential damages, hence the above exclusion and limitations may not apply.

Refurbished Product Service Center
13225 Marquardt Avenue Santa Fe Springs, CA 90670.

WARRANTY REPAIR INFORMATION

If you need service on your unit and this product requires repair during the 90 days warranty period; please go to www.ConsumerServiceRefurbish.com or call the **Refurbished Product Service Center** at 562-946-3531 to obtain the required return authorization (RA) number. Pack the unit properly (the original carton is ideal for this purpose) along with a copy of your purchase receipt and a letter describing the problem. Send the unit freight prepaid and insured to:

Refurbished Product Service Center,
Att: Customer Service Department 13225 Marquardt Avenue Santa Fe Springs,
CA 90670

Your unit will be promptly repaired and returned to you. We will refuse to accept delivery of the returned unit unless the assigned RA number appears on the outside of the shipping carton.

Owner's Information
(Keep for your permanent records)

NAME: _____

ADDRESS: _____

CITY: _____

STATE: _____

ZIP CODE: _____

PHONE: _____

E-MAIL: _____

MODEL: _____

SERIAL NO.: _____

TECHNICAL SPECIFICATIONS

Voltage: 120V-, 60Hz

SharkNinja Operating LLC

Illustrations may differ from actual product. We are constantly striving to improve our products, therefore the specifications contained herein are subject to change without notice.

NINJA is a registered trademark of SharkNinja Operating LLC.

This product may be covered by one or more U.S. Patents. See sharkninja.com/patents for more information.

PRINTED IN MEXICO SC: 03-20-2024 TAB ELBRD: J.E.

814100004

OBPN: AF080_IB_Mv2_220705 SHNMDL: AF080_B

