



NUTRI NINJA®
WITH AUTO-iQ®

RECIPE BOOK NOT INCLUDED

814100066

IMPORTANT SAFEGUARDS

HOUSEHOLD USE ONLY • READ ALL INSTRUCTIONS BEFORE USE

When using electrical appliances, basic safety precautions should always be followed, including the following:

	Indicates to read and review instructions to understand operation and use of product.
	Indicates the presence of a hazard that can cause personal injury, death or substantial property damage if the warning included with this symbol is ignored.
	For indoor and household use only.

WARNING

To reduce the risk of fire, electric shock, serious injury, death, or damage when using this appliance, follow these basic safety precautions.

- 1 Read all instructions prior to using the appliance and its accessories.
- 2 Carefully observe and follow all warnings and instructions. This unit contains electrical connections and moving parts that potentially present risk to the user.
- 3 **ALWAYS** exercise care when handling the Pro Extractor Blades® Assembly. The blades are sharp. ONLY grasp the Pro Extractor Blades Assembly by the outer perimeter of the blade assembly base. Failure to use care when handling the blade assembly will result in a risk of laceration.
- 4 Take your time and exercise care during unpacking and appliance setup. This appliance contains sharp, loose blades that can cause injury if mishandled.
- 5 Take inventory of all contents to ensure you have all parts needed to properly and safely operate your appliance.
- 6 Turn the appliance OFF, then unplug the appliance from the outlet when not in use, before assembling or disassembling parts, and before cleaning. To unplug, grasp the plug by the body and pull from the outlet. **NEVER** unplug by grasping and pulling the flexible cord.
- 7 Before use, wash all parts that may contact food. Follow washing instructions covered in this instruction manual.
- 8 To protect against the risk of electric shock, **DO NOT** submerge the appliance or allow the power cord to contact any form of liquid.
- 9 **DO NOT** use this appliance outdoors. It is designed for indoor household use only.
- 10 **DO NOT** operate any appliance with a damaged cord or plug, or after the appliance malfunctions or is dropped or damaged in any manner. Contact a service center.
- 11 **DO NOT** abuse the power cord. Never carry the appliance by the power cord or yank it to disconnect from electrical outlet; instead grasp the plug and pull to disconnect.
- 12 Extension cords should NOT be used with this appliance.
- 13 **DO NOT** allow children to operate this appliance or use as a toy. Close supervision is necessary when any appliance is used near children.
- 14 This appliance is NOT intended to be used by people with reduced physical, sensory, or mental capabilities, or lack of experience and knowledge, unless they are given supervision or instruction concerning use of the appliance by a person responsible for their safety.
- 15 Before each use, inspect blade assemblies for damage. If a blade is bent or damage is suspected, contact a service center.
- 16 **DO NOT** attempt to sharpen blades.
- 17 **DO NOT** allow the unit or the cord to hang over the edges of tables or counters. The cord may become snagged and pull the appliance off the work surface.
- 18 **DO NOT** allow any part of the unit to contact hot surfaces, including stoves and other heating appliances.
- 19 **ALWAYS** use the appliance on a dry and level surface.
- 20 **NEVER** place a blade assembly on the motor base without it first being attached to its corresponding container (bowl, pitcher, cup) and lid.
- 21 Blades are sharp. Handle carefully.
- 22 **ONLY** use attachments and accessories that are provided with the product or are recommended by SharkNinja. The use of attachments not recommended or sold by SharkNinja may cause fire, electric shock, or injury.
- 23 The use of attachments, including canning jars, not recommended by the manufacturer may cause a risk of injury to persons
- 24 **DO NOT** process dry ingredients without adding liquid to the Single-Serve Blending Cup. The Single-Serve Blending Cup is not intended for dry blending.
- 25 **DO NOT** use stainless steel cup accessory model XSKDWSS24 with blender.
- 26 During operation and handling of the appliance, avoid contact with moving parts.
- 27 **DO NOT** operate the appliance with an empty container.
- 28 **DO NOT** fill containers past the MAX FILL or MAX LIQUID lines.
- 29 **DO NOT** microwave any containers or accessories provided with the appliance.
- 30 **DO NOT** perform grinding operations with the Single-Serve Blending Cup and Pro Extractor Blades® Assembly.
- 31 Before operation, ensure all utensils are removed from containers. Failure to remove utensils can cause containers to shatter and potentially result in personal injury and property damage.
- 32 Keep hands, hair, clothing, as well as utensils out of container while processing to reduce the risk of severe injury to persons or damage to the appliance. A scraper may be used but only when the appliance is not running.
- 33 **NEVER** operate the appliance without lids and caps in place. **DO NOT** attempt to defeat the interlock mechanism. Ensure the container and lid are properly installed before operation.
- 34 **DO NOT** expose the containers and accessories to extreme temperature changes. They may experience damage.
- 35 **NEVER** leave the appliance unattended while in use.
- 36 **DO NOT** blend hot liquids. Doing so may result in pressure buildup and steam exposure that can pose a risk of the user being burned.
- 37 **DO NOT** remove the cup from the motor base while the appliance is running.
- 38 If the appliance overheats, a thermal switch will activate and temporarily disable the motor. To reset, unplug the appliance and allow it to cool for approximately 30 minutes before using again.
- 39 Remove the Pro Extractor Blades® Assembly from the Nutri Ninja cup upon completion of blending. Do not store ingredients before or after blending them in the cup with the blade assembly attached. Some foods may contain active ingredients or release gases which will expand if left in a sealed container, resulting in excessive pressure buildup that can pose a risk of injury. For ingredient storage in the cup, use only spout lid to cover.
- 40 The maximum wattage rating for this appliance is based on the configuration of the Pro Extractor Blades Assembly and Single-Serve Blending Cup. Other configurations may draw less power or current.
- 41 Max ON time is 1 minute under 900W load. If the appliance overheats, a thermal switch will become activated and shut off the motor. To reset, unplug the appliance and let it cool down for approximately 30 minutes before using again.
- 42 To protect against electrical shock, do not submerge the appliance or allow the power cord to come in contact with water or any other liquid.
- 43 **DO NOT** spray the motor base with any liquids. Turn off and unplug the motor base before cleaning.
- 44 Keep the appliance and its cord out of reach of children.
- 45 This appliance has a polarized plug (one blade is wider than the other). To reduce the risk of electric shock, this plug is intended to fit into a polarized outlet only one way. If it still does not fit, contact a qualified electrician. Do not attempt to modify the plug in any way.

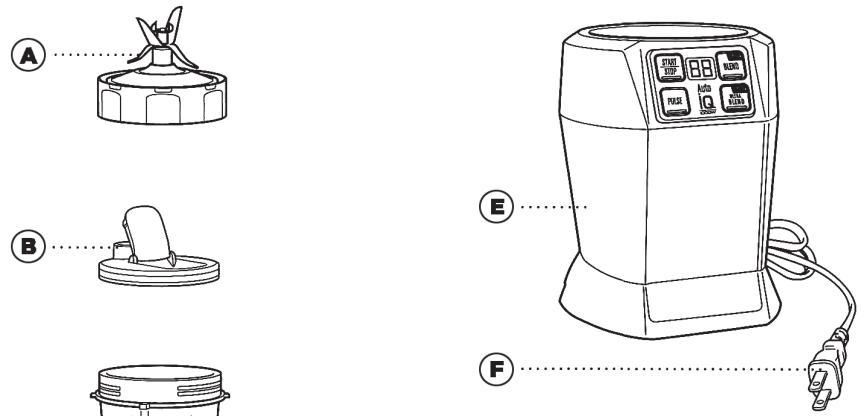
TECHNICAL SPECIFICATIONS

Voltage: 120V- 60Hz

GETTING TO KNOW YOUR NUTRI NINJA® WITH AUTO-iQ®

PARTS

- A Pro Extractor Blades® Assembly
- B Spout Lid
- C Small 18 oz. Nutri Ninja Cup
- D Regular 24 oz. Nutri Ninja Cup
- E Motor Base
- F Power Cord

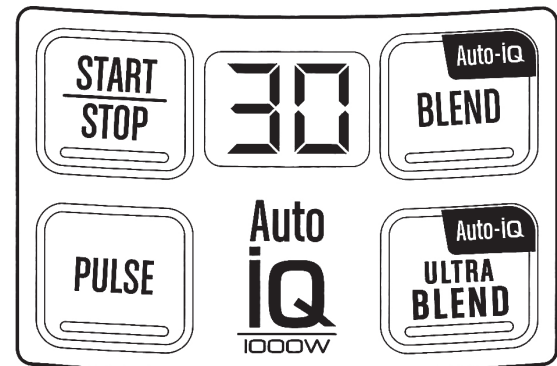


NOTE: The quantity, sizes, and presence of some accessories depend on the specific model configuration. All configurations include a motor base,

• Accessory type and quantity may vary depending on the model.

USING THE CONTROL PANEL

WELCOME TO THE NINJA® AUTO-iQ® EXPERIENCE. The Nutri Ninja® with Auto-iQ features pre-programmed settings that take the guesswork out of making delicious drinks and great-tasting meals. These programs are timed to deliver consistent, delicious results that finish on their own so all you have to do is press a button and enjoy.



• The images shown here are for illustrative purposes only and may be subject to change, the actual descriptions of control panel and their locations may vary depending on the model.

FEATURES:

- Nutrient & Vitamin Extraction*
- 1000-Watt Motor
- Personalized, healthy drinks and juices
- Spout lids for drinks on the go
- BPA-free Nutri Ninja Cups
- Cord storage

*Extract a drink containing vitamins and nutrients from fruits and vegetables.

MANUAL SETTINGS:

START | STOP

Press once to start continuous running; press again to stop. Timer counts up by seconds, up to 60 seconds.

PULSE

Runs only while pressed down. Short presses create short pulses. Timer counts up by seconds as long as button is pressed down.

AUTO-iQ PROGRAMS:

AUTO-iQ BLEND

Pulses and blends fresh or softer ingredients to create smooth, consistent results. Timer counts down.

AUTO-iQ ULTRA BLEND

Pulses and blends frozen, fibrous, or hard ingredients to create consistently smooth results. Timer counts down.

BEFORE FIRST USE

- 1 Remove all packaging material. Separate/ remove all parts.
- 2 Wash the lids, Nutri Ninja® Cups, and Pro Extractor Blades® Assembly in warm, soapy water. When washing the Pro Extractor Blades Assembly, use a dishwashing utensil with a handle to avoid direct hand contact with blades.
- 3 Handle the Pro Extractor Blades Assembly with care to avoid contact with sharp edges. Rinse and air-dry thoroughly.
- 4 The Nutri Ninja Cups, lids, and Pro Extractor Blades Assembly are all dishwasher safe. The lids and Pro Extractor Blades Assembly are top-rack dishwasher safe. Ensure the Pro Extractor Blades Assembly is removed from the cup before placing in the dishwasher.
- 5 Wipe the motor base clean with a damp cloth.

SAVE THESE INSTRUCTIONS

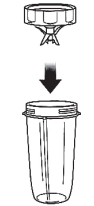
USING THE NUTRI NINJA® WITH AUTO-iQ®

- 1 Place the motor base on a clean, dry, level surface such as a counter or tabletop.
- 2 Make sure the motor base is plugged in for use. Display will read "--".

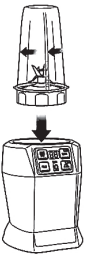


- 3 Add ingredients to the Nutri Ninja® Cup.

NOTE: DO NOT overfill. To avoid spilling, **DO NOT** add ingredients past the "MAX" fill line.



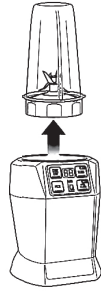
- 4 Place the Pro Extractor Blades® Assembly onto the cup and twist on tightly until completely sealed.



- 5 Turn the cup upside down and place it on the motor base, aligning the tabs on the cup with the motor base. Once cup is correctly placed onto base, display will read "0".

- 6 Press one of the buttons to activate.

NOTE: When using the Auto-iQ® presets, the unit will operate using pulses, pauses, and continuous runs. The pauses allow the contents of the cup to settle. When the timer reaches "0", the unit will stop.



- 7 To remove the cup from the base, ensure the motor has stopped running, then pull the cup straight up.



- 8 Turn the cup upright and remove the Pro Extractor Blades Assembly by twisting it counterclockwise.

- 9 **DO NOT** store blended contents with the Pro Extractor Blades Assembly attached.

- 10 Twist the spout lid onto the Nutri Ninja Cup. Twist to seal and enjoy.

- 11 For ingredient storage in the cup, only use spout lid to cover.

- 12 Be sure to store the Pro Extractor Blades Assembly attached to an empty cup when not in use.

SUGGESTED USES

PURPOSE/FUNCTION	SUGGESTED CUP	TYPE OF FOOD
Chopping/Pulsing	18 oz. 24 oz.	Salsa Leafy Herbs
Mixing	24 oz.	Batters Dips
Sauces	24 oz.	Vinaigrettes Salad Dressings Sauces*
Frozen Blending	18 oz. 24 oz.	Ice Frozen Fruit Ice Cream
Nutrient Juices/Smoothies	18 oz. 24 oz.	Fruits Vegetables Leafy Greens

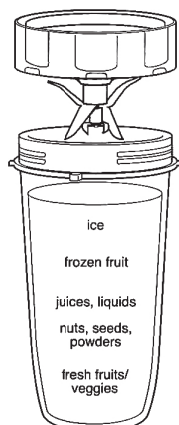
*When blending sauces, make sure they're cooled to room temperature first. Ninja® containers are not intended for hot blending.

FILLING THE NUTRI NINJA® CUP

For best results, always follow recipe directions when filling your Nutri Ninja® Cups. When you're not using a recipe, use the following guidelines:

- 1 Start with your fresh fruit or veggies.
- 2 Add nuts, seeds, or powder.
- 3 Add liquids like juice or milk. More liquid can help to integrate powder.
- 4 Add your frozen fruit and ice.

Remember to securely tighten the Pro Extractor Blades® Assembly and don't overfill the cups.



CARE & MAINTENANCE

CAUTION: Make sure that the motor base is unplugged from the power source before inserting or removing any attachment and before cleaning.

HOW TO CLEAN

Separate all parts.

Hand-Washing: Wash the lids, Nutri Ninja® Cups, and Pro Extractor Blades® Assembly in warm, soapy water. When washing the Pro Extractor Blades Assembly, use a dishwashing utensil with a handle to avoid direct hand contact with blades. Handle Pro Extractor Blades Assembly with care to avoid contact with sharp edges. Rinse and air-dry thoroughly.

Dishwasher: The Nutri Ninja Cups, lids, and Pro Extractor Blades Assembly are all dishwasher safe. The lids and Pro Extractor Blades Assembly are top-rack dishwasher safe. Ensure the Pro Extractor Blades Assembly is removed from the cup before placing in the dishwasher.

Wipe the motor base clean with a damp cloth. **DO NOT** immerse the motor base in water or any other liquid.

If the appliance needs servicing, please contact a service center.

HOW TO STORE

Store the Nutri Ninja with Auto-iQ® upright with the blade assembly inside the corresponding container with the lid secured on top. **DO NOT** place anything on top. Store the rest of the attachments in a safe place where they will not be damaged and won't cause harm. Loosely wrap the power cord around the motor base.

NOTE: DO NOT store blended or unblended ingredients in the Nutri Ninja Cup with the blade assembly attached.

TROUBLESHOOTING

WARNING: To reduce the risk of shock and unintended operation, turn power off and unplug unit before troubleshooting.

Unit does not turn on.

- Make sure the unit is plugged in.
- Place the Nutri Ninja® Cup onto the motor base, aligning the tabs on the cup with the motor base. Display should turn on.

Unit doesn't turn off.

- Remove cup from base by lifting the cup out. Display should turn off. Unplug the power cord from the outlet.

Lid/Pro Extractor Blades® Assembly is difficult to assemble.

- Set the cup on a level surface. Place the lid or Pro Extractor Blades Assembly on the top of the cup and align the threads so the lid/blades sit flat on the cup. Twist clockwise so the lid/blades evenly align to the cup until sealed completely.

Ingredients are not evenly chopped.

- For best results when chopping, make sure all ingredients are as dry as possible. Cut pieces down to even sizes, and reduce the amount of ingredients in the cup. Use very short pulses by quickly pressing the PULSE button.

Doesn't mix well, ingredients get stuck.

- Using the Auto-iQ® programs is the easiest way to achieve great results. The pulses and pauses allow ingredients to settle toward the blade. If ingredients are routinely getting stuck, adding some liquid will usually help.
- When filling the cups, start with fresh items, then powders/nuts. Add liquids, and finally frozen items or ice.

Unit moves on counter while blending.

- Make sure the counter and the feet of the unit are clean and dry.

Unit is difficult to remove from counter for storage.

- Tip unit forward from the back to disengage the suction feet.

Unit has shut off:

- 1 Unplug the appliance from the electrical outlet.
- 2 Remove and empty the cup and ensure no food is jamming the Pro Extractor Blades Assembly.
- 3 Allow the appliance to cool for approximately 30 minutes.
- 4 Reinstall the cup onto the base and plug the appliance into the electrical outlet.
- 5 Use the appliance as before, while making sure not to exceed the recommended maximum capacities.

• Accessory type and quantity may vary depending on the model.

• The image shown here is for illustrative purposes only and may be subject to change.



PRINTED IN MEXICO_Elbrd: J.E.
OBPN: BL480QSeries_IB_MP_Mv8_200610
SC: 03-25-2024_TAB_MODEL: BL480Q_B



NUTRI NINJA®
WITH AUTO-IQ®

QUICK ASSEMBLY

RECIPE BOOK NOT INCLUDED

Please make sure to read the enclosed Ninja® Owner's Guide prior to using your unit.

NUTRI NINJA CUPS

1. Connect base to power.



2. Fill cup with desired contents. Place the Pro Extractor Blades Assembly onto the cup and twist it on tightly until you have a good seal.



3. Flip cup upside down and place it onto the motor base, aligning the tabs on the cup with the motor base.



Once cup is correctly placed onto base, display will read "0".

Display will read "--" once base is properly connected to power source.



WARNING: Handle the Pro Extractor Blades Assembly with care, as the blades are sharp.

AUTO-IQ

What is Auto-iQ?

Auto-iQ programs feature unique pulsing and pausing patterns to deliver consistent, even results at the touch of a button.



CLEANING

Dishwasher: Containers, lids, and blade assembly are all top-rack dishwasher safe. Ensure the blade assembly is removed from the container before placing in the dishwasher.

Hand-washing: Wash containers, lids, and blade assembly in warm, soapy water. When washing the blade assembly, use a dishwashing utensil with a handle to avoid direct hand contact with blades. Handle blade assembly with care to avoid contact with sharp edges. Rinse and air-dry thoroughly.



WARNING: Handle the Pro Extractor Blades Assembly with care when washing, as the blades are sharp. Contact with the blades' edges can result in laceration.

• Accessory type and quantity may vary depending on the model.

• The image shown here is for illustrative purposes only and may be subject to change.

• The images shown here are for illustrative purposes only and may be subject to change, the actual descriptions of control panel and their locations may vary depending on the model.



814000066

PRINTED IN MEXICO_Elbrd:J.E._2P_SC:03-25-2024
OBPN:BL480QSeries_MODEL: BL480Q_B