

# Shark MATRIX PLUS 2-in-1 ROBOT

## Robot Floor Cleaner

### 2600WA Series WARNINGS AND WARRANTIES



### IMPORTANT SAFETY INSTRUCTIONS

PLEASE READ CAREFULLY BEFORE USE • FOR HOUSEHOLD USE ONLY

If the charging cable plug does not fit fully into the outlet, reverse the plug. If it still does not fit, contact a qualified electrician. DO NOT force into outlet or try to modify to fit.

## ⚠ WARNING

To reduce the risk of fire, electric shock, injury, or property damage:

### GENERAL WARNINGS

When using an electrical appliance, basic precautions should always be followed, including the following:

1. This appliance consists of a Robot Floor Cleaner and charging base with power supply. These components contain electrical connections, electrical wiring, and moving parts that potentially present risk to the user.
2. Before each use, carefully inspect all parts for any damage. If a part is damaged, discontinue use.
3. Use only identical replacement parts found on sharkclean.com
4. This Robot Floor Cleaner contains no serviceable parts.
5. Use only as described in the Owner's Guide provided on sharkclean.com. **DO NOT** use Robot Floor Cleaner for any purpose other than those described in the Owner's Guide.
6. With exception of the filters, dust bin, and pads, **DO NOT** expose any parts of the Robot Floor Cleaner to water or other liquids.
7. **DO NOT** put hands into any opening in the base or robot.

### USE WARNINGS

8. This appliance can be used by persons with reduced physical, sensory, or mental capabilities or lack of experience and knowledge if they have been given supervision or instruction concerning use of the appliance in a safe way and understand the hazards involved.
  - a) Children shall not play with the appliance.
  - b) Cleaning and user maintenance shall not be made by children without supervision.
9. To minimize the risk of the robot traveling beyond an unsafe boundary (stair/cliff edges, fireplaces, water hazards), establish these areas as "no-go zones" using the mapping feature in the SharkClean® mobile app. Upon setting the boundary, run the vacuum and visually confirm that the settings effectively prevent the robot from passing beyond the set boundary. Adjust settings as necessary.
10. Always turn off the Robot Floor Cleaner before inserting or removing the filter, dust bin, or side brushes.
11. **DO NOT** handle plug, charging dock, charging cable, or Robot Floor Cleaner with wet hands. Cleaning and user maintenance shall not be made by children without supervision.
12. **DO NOT** use the Robot Floor Cleaner without the dust bin, filter, brushroll, and side brush in place.
13. **DO NOT** damage the charging cord:
  - a) **DO NOT** pull or carry charging dock by the cord or use the cord as a handle.
  - b) **DO NOT** unplug by pulling on cord. Grasp the plug, not the cord.
  - c) **DO NOT** close a door on the cord, pull the cord around sharp corners, or leave the cord near heated surfaces.
14. **DO NOT** put any objects into nozzle or accessory openings. **DO NOT** use with any opening blocked; keep free of dust, lint, hair, and anything that may reduce airflow.
15. **DO NOT** use Robot Floor Cleaner if airflow is restricted. If the air paths become blocked, turn the vacuum cleaner off and remove all obstructions before turning on the unit again.

16. Keep all vacuum openings away from hair, face, fingers, uncovered feet, or loose clothing.
17. **DO NOT** use if Robot Floor Cleaner is not working as it should, or has been dropped, damaged, left outdoors, or dropped into water.
18. **DO NOT** place Robot Floor Cleaner on unstable surfaces.
19. If the Robot Floor Cleaner is not starting from the dock, it must be placed at least 1.5 feet (45 cm) away from any stairs or ledges.
20. **DO NOT** use to pick up:
  - a) Liquid spills.
  - b) Large objects.
  - c) Hard or sharp objects (glass, nails, screws, or coins).
  - d) Large quantities of dust (drywall dust, fireplace ash, or embers).
  - e) Smoking or burning objects (hot coals, cigarette butts, or matches).
  - f) Flammable or combustible materials (lighter fluid, gasoline, or kerosene).
  - g) Toxic materials (high concentrations of chlorine bleach liquid, high concentrations of ammonia, or drain cleaning solution).
21. **DO NOT** use in the following areas:
  - a) Outdoor areas near fireplaces with unobstructed entrances.
  - b) Spaces that are enclosed and may contain explosive or toxic fumes or vapors (lighter fluid, gasoline, kerosene, paint, paint thinners, mothproofing substances, or flammable dust).
  - c) In an area with a space heater.
  - d) Near fireplaces with unobstructed entrances.
22. Turn off the Robot Floor Cleaner before any adjustment, cleaning, maintenance, or troubleshooting.
23. Allow all filters to air-dry completely before reinstalling them in the Robot Floor Cleaner to prevent liquid from being drawn into electric parts.
24. **DO NOT** modify or attempt to repair the Robot Floor Cleaner or the battery yourself, except as indicated in the Owner's Guide. **DO NOT** use the vacuum if it has been modified or damaged.
25. Remove all spilled or leaked liquid from the dock landing mat, base, or floor, as it could lead to risk of electrical shock.
26. Try a little of the VACMOP® cleaning solution on a small, inconspicuous area of the floor to ensure the solution doesn't damage the floor.
27. When refilling the reservoir, check for leaks, as pooled liquids are a slipping hazard and may cause electrical shock. If the reservoir is damaged, it must be replaced.
28. Use caution walking on mopped floors, as they may be slippery while damp.
29. For your Robot Floor Cleaner's cliff sensors to work properly, all runners, rugs, carpets, or small thresholds (like child gates) must be 8 inches from any stairs (or must be continuous and extend over the edge of the stairs). If a runner, rug, carpet, or small threshold that is less than 8 inches from the stairs cannot be moved, you must use a no-go zone to block off the stairs.

30. **DO NOT** use as an attachment to power tools for dust collection.
31. Place the cords from other appliances out of the area to be cleaned.
32. **DO NOT** operate the vacuum in a room where an infant or child is sleeping.
33. **DO NOT** operate the vacuum in an area where there are lit candles or fragile objects on the floor to be cleaned.
34. **DO NOT** operate the vacuum in a room that has lit candles on furniture that the vacuum may accidentally hit or bump into.
35. **DO NOT** allow children to sit on the vacuum.

### BATTERY USE

36. The battery is the power source for the vacuum. Carefully read and follow all charging instructions.
37. To prevent unintentional starting, ensure the vacuum is powered off before picking it up or carrying it.
38. Use **ONLY** the Shark® charging dock XDCK2600WA and use only battery RVBAT850A. Use of batteries or battery chargers other than those indicated may create a risk of fire.
39. Keep the battery away from all metal objects such as paper clips, coins, keys, nails, or screws. Shorting the battery terminals together increases the risk of fire or burns.
40. Under abusive conditions, liquid may be ejected from the battery. Avoid contact

with this liquid, as it may cause irritation or burns. If contact occurs, flush with water. If liquid contacts eyes, seek medical help.

41. Robot Floor Cleaner should not be stored, charged, or used at temperatures below 50°F (10°C) or above 104°F (40°C). Ensure the battery and vacuum have reached room temperature before charging or use. Exposing the robot or battery to temperatures outside of this range may damage the battery and increase the risk of fire.

42. **DO NOT** expose the Robot Floor Cleaner or battery to fire or temperatures above 265°F (130°C) as it may cause explosion.

43. Non-rechargeable batteries cannot be recharged.

### NO-GO ZONES

44. Always use no-go zones around reflective flooring and surfaces.
45. No-go zones should always be used near carpeted stairs.
46. **DO NOT** use no-go zones within 10 feet of the dock.

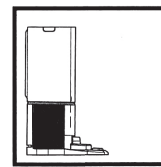
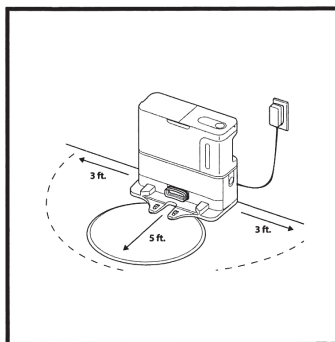
### LASER WARNING

47. This product has a Class 1 laser. It is safe under reasonably foreseeable conditions (as defined in the Owner's Guide). Always turn off the power before lifting the Robot Floor Cleaner or performing any maintenance on it.

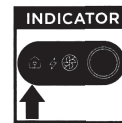
48. **DO NOT** look directly into laser.

## SAVE THESE INSTRUCTIONS

### DOCK SETUP

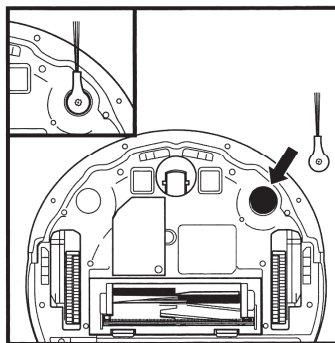


The Base Power Indicator Icon



- Select a **permanent** location for the **Base** because every time you relocate the base, your robot will have to completely re-map your house. Remove protective film from robot and base.
- Place the base with its back against a wall. Select a level surface on a bare floor in a central area with a **strong Wi-Fi signal**. Do not place base against baseboard heaters or other heating elements.
- **Remove any objects** that are closer than 1 foot from either side of the base or closer than 2 feet from the front of the base.
- The Base Power Indicator Symbol (⚡) on the top right side of the base will **illuminate when the base has power**.

### INSTALLING THE SIDE BRUSH



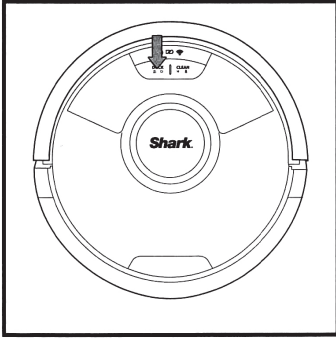
Snap the included **Side Brush** onto the square peg on the bottom of the robot.

**NOTE:** Side brush design may vary.

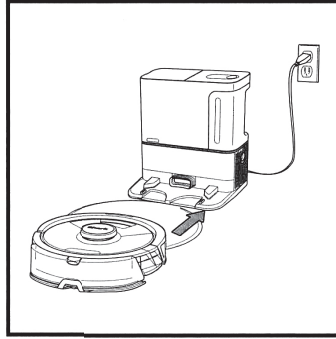
The image shown here is for illustrative purposes only and may be subject to change.

# CHARGING

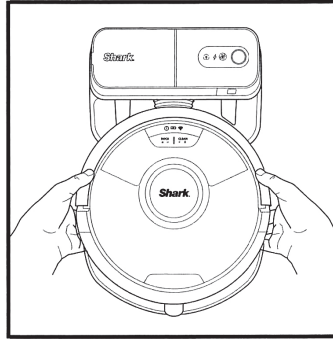
**IMPORTANT:** Shark Matrix™ Plus 2-IN-1 Robot has a pre-installed rechargeable battery. Charge the battery completely before first use. It may take up to 6 hours to fully charge.



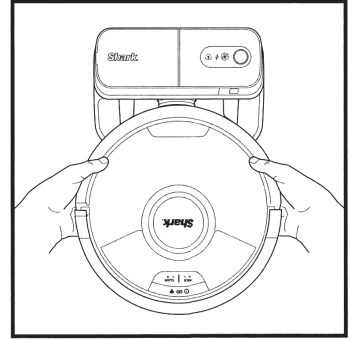
To turn ON the robot, press and hold the DOCK button for 5-7 seconds. To charge, place the robot on the dock. The robot will beep when charging begins and the charging indicator on the dock will turn from green to blue.



When the cleaning cycle is complete, or if the battery is running low, the robot will search for the dock. If the robot doesn't return to dock, its charge may have run out, or if it is in wet cleaning mode, the dock may be blocked by carpet.



If the robot has no charge or it cannot return to the dock, manually place it on the dock. The indicator light will turn blue and the robot will beep when it is correctly placed on the dock. If the Vac & Mop Dust Bin is inserted, your robot will dock forward to prevent the wet pad from touching the charging contacts.



If your Self-Empty Dust Bin is inserted, your robot will dock backwards to enable the Self-Empty feature.

**NOTE:** When manually placing the robot on the dock, make sure the **Charging Contacts** on the bottom of the robot are touching the ones on the dock. While the robot is charging, both white LED lights will flash. When charging is complete, both white lights will illuminate steadily.

**NOTE:** When picking up the robot, be careful not to place fingers between the bumper and the base of the robot.

Accessory type and quantity may vary depending on the model.

The images shown here are for illustrative purposes only and may be subject to change, the actual descriptions of control panel and their locations may vary depending on the model.



## FCC WARNINGS

This equipment has been tested and found to comply with the limits for a Class B digital device, pursuant to parts 15 of the FCC Rules. These limits are designed to provide reasonable protection against harmful interference in a residential installation. This equipment generates, uses, and can radiate radio frequency energy and, if not installed and accordance with the instructions, may cause harmful interference to radio communications. However, there is no guarantee that interference will not occur in a particular installation. If this equipment does cause harmful interference to radio or television reception, which can be determined by turning the equipment off and on, the user is encouraged to try to correct the interference by one or more of the following measures:

- Reorient or relocate the receiving antenna.
- Increase the separation between the equipment and receiver.
- Connect the equipment into an outlet on a circuit different from that to which the receiver is connected.
- Consult the dealer or an experienced radio/TV technician for help.

This Device complies with part 15 of the FCC rules. Operation is subject to the following conditions:

- 1 This device may not cause harmful interference
  - 2 This device must accept any interference received, including interference that may cause undesired operation.
- Changes or modifications not expressly approved by the party responsible for compliance could void the user's authority to operate this device.



## BATTERY REMOVAL AND DISPOSAL

This product uses a battery. When the battery no longer holds a charge, it should be removed from the vacuum and recycled. **DO NOT** incinerate or compost the battery.

When your lithium-ion battery needs to be replaced, dispose of it or recycle it in accordance with local ordinances or regulations. In some areas, it is illegal to place spent lithium-ion batteries in the trash or in a municipal solid waste stream. Return spent battery to an authorized recycling center or to retailer for recycling. Contact your local recycling center for information on where to drop off the spent battery.

**For more information on battery removal for disposal, please visit [sharkclean.com/batterysupport](http://sharkclean.com/batterysupport).**

The RBRC™ (Rechargeable Battery Recycling Corporation) seal on the lithium-ion battery indicates that the costs to recycle the battery at the end of its useful life have already been paid by SharkNinja. In some areas, it is illegal to place spent lithium-ion batteries in the trash or municipal solid waste stream and the RBRC program provides an environmentally conscious alternative.

RBRC, in cooperation with SharkNinja and other battery users, has established programs in the United States and Canada to facilitate the collection of spent lithium-ion batteries. Help protect our environment and conserve natural resources by returning the spent lithium-ion battery to an authorized SharkNinja service center or to your local retailer for recycling. You may also contact your local recycling center for information on where to drop off the spent battery, or call 1-800-798-7398.

SharkNinja Operating LLC

Illustrations may differ from actual product. We are constantly striving to improve our products; therefore the specifications contained herein are subject to change without notice.

This product may be covered by one or more U.S. patents. See [sharkninja.com/patents](http://sharkninja.com/patents) for more information.

8 0 4 1 0 6 7 7 1



PRINTED IN MEXICO / SC: 06-27-2024

ELBRD:J.E. / SHNMDL: RV2610BTUS\_B / 2P

OBPN: 2600WA\_Series\_IB\_E\_Warning-Warranty\_MP\_Mv6\_230621

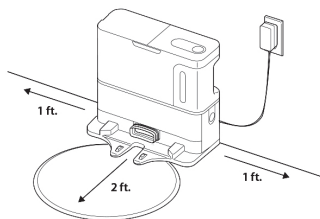
# Shark

## MATRIX PLUS 2-in-1 ROBOT

### Robot Setup:

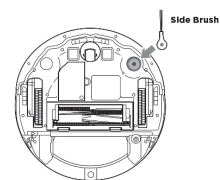
#### 1 Set Up Base + Landing Mat

- Remove protective film from the robot and base.
- Snap together the pieces of the landing mat.
- Place the base on top of the landing mat, in a location with a strong Wi-Fi signal.

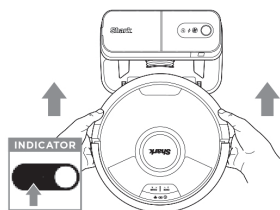


#### 2 Attach Side Brush

- Note: Side brush design may vary.



#### 3 Place Robot on Base



#### 4 Scan the QR code to download the SharkClean® app.

- Complete your robot setup process in the app and learn about mopping mode.
- To get the best cleaning performance from your robot, we recommend downloading the latest version of the SharkClean® app.

#### App Features

- ✓ Matrix Clean
- ✓ Mapping
- ✓ Scheduling
- ✓ No-Go Zones
- ✓ Carpet Zones
- ✓ Spot Cleaning

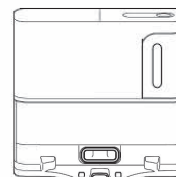


NOTE: In order to ensure the highest possible standard for refurbished items, all units are thoroughly inspected as part of the process.

For this item, water may be used during the refurbishing process and so; you may notice some condensation in the water reservoir. It is recommended to rinse the water reservoir with fresh water prior to its first use.

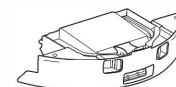
### What's Included:

#### Robot Dock



Charging dock for robot.

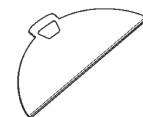
#### Self-Empty Dust Bin



Enables Self-Empty feature for dry vacuuming.

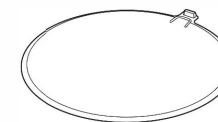
Note: the Self-Empty Dust Bin comes pre-inserted in the robot.

#### Mopping Pad



Reusable mopping pad for vacuuming and mopping mode.

#### Landing Mat



Sits under the robot dock.

#### VAC & MOP 2-in-1 Dust Bin



Enables mopping mode while holding dry debris from vacuuming.

Note: The VAC & MOP 2-in-1 Dust Bin will not self-empty. It will require manual cleaning after use.

#### VACMOP® Bottle



### Maximize Your Robot Experience:

#### Tips and tricks for getting the most out of your robot.

- To manually turn ON /OFF your robot, hold down the **DOCK** button for 5-7 seconds.
- Clear the area of cords and wires before each clean.
- Use mopping mode for daily maintenance and stuck-on messes.
- Only use Shark® VACMOP® cleaning solution or water when mopping.
- Always place your robot on a level surface when performing maintenance.
- Clean brushroll and filter regularly.

• Accessory type and quantity may vary depending on the model.

- The image shown here is for illustrative purposes only and may be subject to change.
- The images shown here are for illustrative purposes only and may be subject to change, the actual descriptions of control panel and their locations may vary depending on the model.

8 1 4 0 0 0 2 5 1



PRINTED IN MEXICO / SC: 06-27-2024 / 1P  
ELBRD:J.E. / SHNMDL: RV2610BTUS\_B / OBPN: N/A