

# Shark

## Vertex™ Bagless Corded Canister Vacuum with DuoClean™ PowerFins™

duo clean™  
POWERFINS™

It's important to read this manual prior to using your new product for the first time.

804106741



## IMPORTANT SAFETY INSTRUCTIONS FOR HOUSEHOLD USE ONLY

### ⚠ WARNING

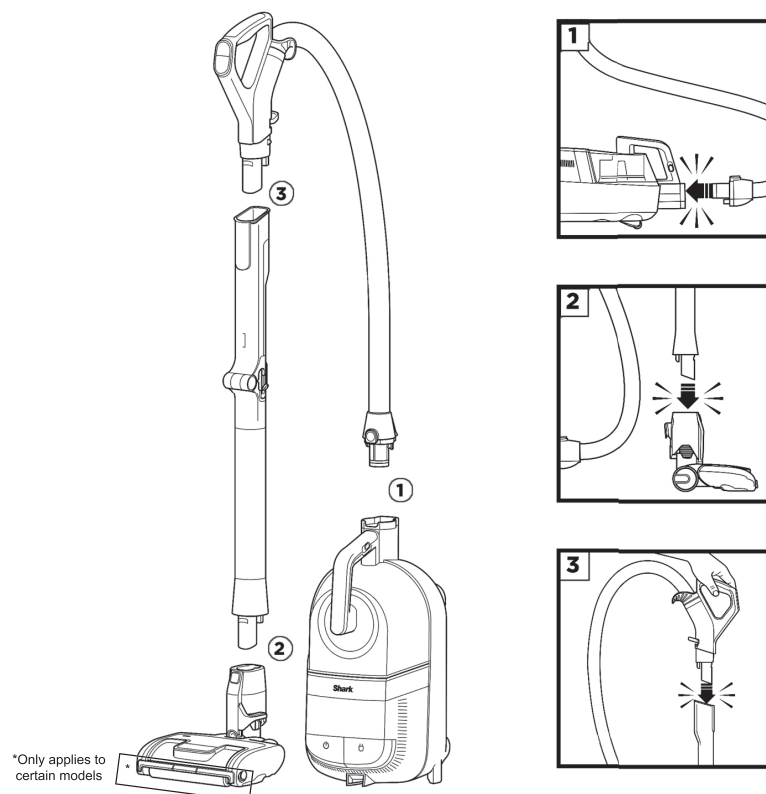
To reduce the risk of fire, electric shock, injury, or property damage, when using an electrical appliance, basic precautions should always be followed, including the following:

#### READ ALL INSTRUCTIONS BEFORE USING THIS VACUUM

1. Inspect power cord and plug for any damage before use. **DO NOT** use vacuum cleaner with a damaged cord or plug. Turn off all controls before plugging in or unplugging the vacuum cleaner. Store your vacuum cleaner with the power cord secured around the two cord hooks. To minimize the risk of power cord damage, do not allow the motorized brush roll to ingest the cord. If this occurs, immediately shut off power to the vacuum and remove the cord.
2. This appliance has a polarized plug, if the plug does not fit fully into the outlet, reverse the plug (one blade is wider than the other). If it still does not fit, contact a qualified electrician. **DO NOT** force into outlet or try to modify to fit.
3. Your vacuum cleaner may consist of a motorized nozzle, wand, hose, and/or vacuum pod. This device contains electrical connections, electrical wiring, and moving parts that potentially present risk to the user.
4. Use only identical replacement parts.
5. Carefully observe and follow the instructions provided below to avoid improper use of the appliance. **DO NOT** use the vacuum for any purpose other than those described in this manual.
6. Before use, carefully inspect all parts for any damage. **DO NOT** use if any parts are damaged.
7. The use of an extension cord is **NOT** recommended.
8. This vacuum cleaner contains no serviceable parts.
9. This appliance can be used by persons with reduced physical, sensory or mental capabilities or lack of experience and knowledge if they have been given supervision or instruction concerning use of the appliance in a safe way and understand the hazards involved. Cleaning and user maintenance shall not be made by children. Keep the appliance and its cord out of reach of children. **DO NOT** allow the appliance to be used by children. **DO NOT** allow to be used as a toy. Close supervision is necessary when used near children.
10. Always turn off the vacuum cleaner before connecting or disconnecting either hose or any motorized nozzles or other accessories.
11. **DO NOT** handle plug or vacuum cleaner with wet hands.
12. **DO NOT** use without filters in place.
13. Only use Shark® branded filters and accessories.
14. **DO NOT** damage the power cord:
  - a) **DO NOT** pull or carry vacuum cleaner by the cord or use the cord as a handle.
  - b) **DO NOT** unplug by pulling on cord. Grasp the plug, not the cord.
  - c) **DO NOT** run the vacuum cleaner over the power cord, close a door on the cord, pull the cord around sharp corners, or leave the cord near heated surfaces.
15. **DO NOT** put any objects into nozzle or accessory openings. **DO NOT** use with any opening blocked; keep free of dust, lint, hair, and anything that may reduce airflow.
16. **DO NOT** use if nozzle or accessory airflow is restricted. If the air paths or the motorized floor nozzle become blocked, turn the vacuum cleaner off and unplug from electrical outlet.
17. Keep nozzle and all vacuum openings away from hair, face, fingers, uncovered feet, or loose clothing.
18. **DO NOT** use if vacuum cleaner is not working as it should, or has been dropped, damaged, left outdoors, or dropped into water.
19. Use extra care when cleaning on stairs.
20. **DO NOT** leave the vacuum cleaner unattended while plugged in.
21. When powered on, keep the vacuum cleaner moving over the carpet surface at all times to avoid damaging the carpet fibers.
22. **DO NOT** place vacuum cleaner on unstable surfaces such as chairs or tables.
23. Your Shark® vacuum may not be designed to stand up on its own. When taking a break from cleaning, you may need to lean it against furniture or a wall, or lay it flat on the floor. Using the vacuum for an application where the unit lacks stability may result in personal injury.
24. **DO NOT** use to pick up:
  - a) Liquids
  - b) Large objects
  - c) Hard or sharp objects (glass, nails, screws, or coins)
  - d) Large quantities of dust (drywall dust, fireplace ash, or embers). **DO NOT** use as an attachment to power tools for dust collection.
  - e) Smoking or burning objects (hot coals, cigarette butts, or matches)
  - f) Flammable or combustible materials (lighter fluid, gasoline, or kerosene)
  - g) Toxic materials (chlorine bleach, ammonia, or drain cleaner)
25. **DO NOT** use in the following areas:
  - a) Poorly lit areas
  - b) Wet or damp surfaces
  - c) Outdoor areas
  - d) Spaces that are enclosed and may contain explosive or toxic fumes or vapors (lighter fluid, gasoline, kerosene, paint, paint thinners, mothproofing substances, or flammable dust)
26. Turn off all controls before plugging in or unplugging the vacuum.
27. Unplug from electrical outlet when not in use and before any maintenance or cleaning.
28. Hand wash with water only. Washing with cleaning chemicals could damage the unit.
29. During cleaning or routine maintenance, **DO NOT** cut anything other than hair, fibers, or string wrapped around the brushroll.
30. Allow all filters to air-dry completely before replacing in the vacuum to prevent liquid from being drawn into electric parts.
31. Make sure the dust cup and all filters are in place after routine maintenance.
32. If provided, secure the power cord around the two cord hooks during storage.
33. The hose contains electrical wires. **DO NOT** use when damaged, cut, or punctured. Avoid picking up sharp objects.
34. Hold plug when rewinding onto cord reel. **DO NOT** allow plug to whip when rewinding.

Remove all obstructions before you plug in and turn on the unit again.

## ASSEMBLY

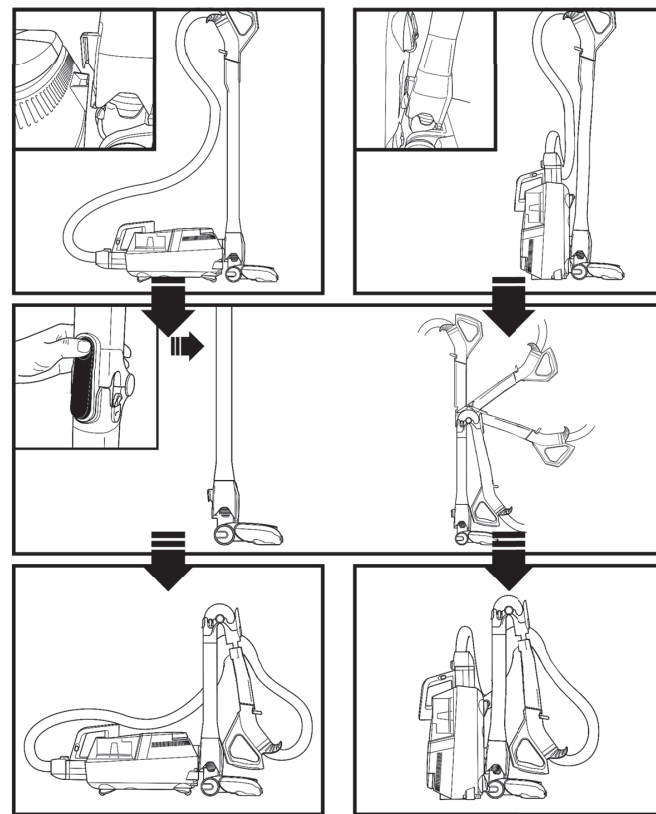


\*Only applies to certain models

**NOTE:** Accessories may vary depending on the model. The images shown here are for illustrative purposes only and may be subject to change.

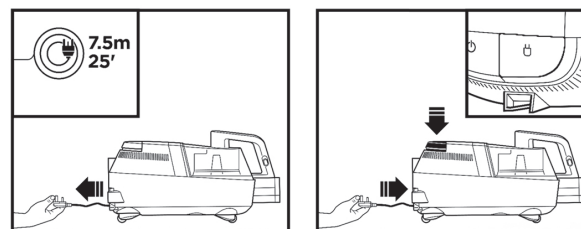
## STORAGE

**NOTE:** Do not bend the MultiFLEX® wand more than 90 degrees unless placing the unit in storage mode. Do not clean when unit is in storage mode.

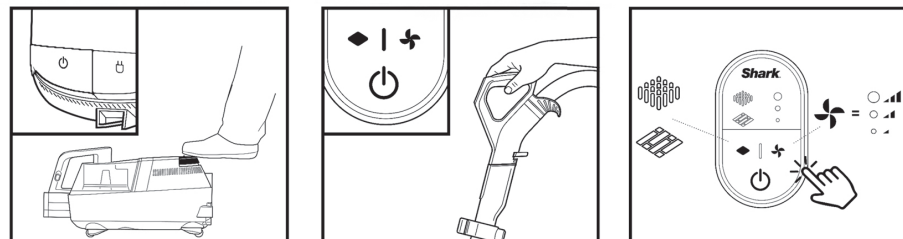


## OPERATING THE VACUUM

### CORD REWIND FUNCTION

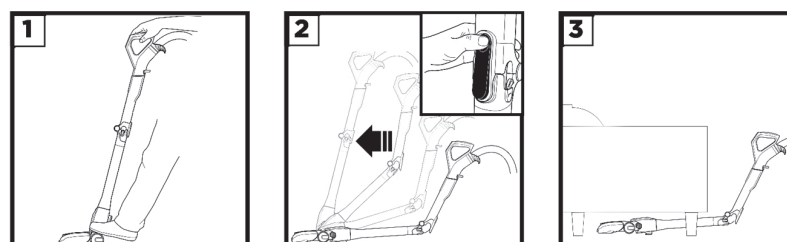


**NOTE:** Hold onto the plug when retracting the cord.



SELECTING FLOOR TYPE AND SUCTION LEVEL

### USING MULTIFLEX®



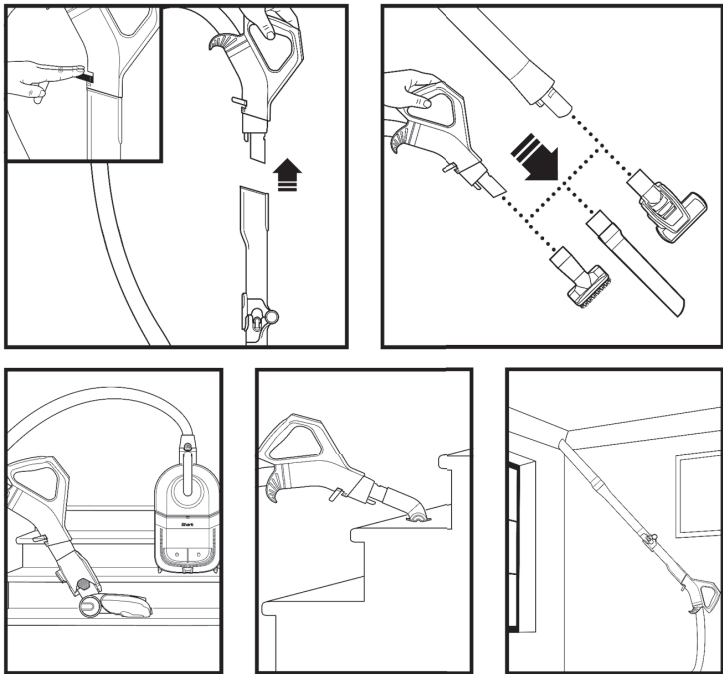
## TECHNICAL SPECIFICATIONS

Voltage: 120V~, 60Hz

Amps: 7.4A

## SAVE THESE INSTRUCTIONS

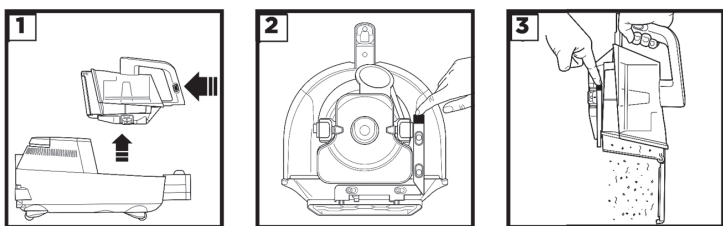
## WHOLE-HOME CLEANING



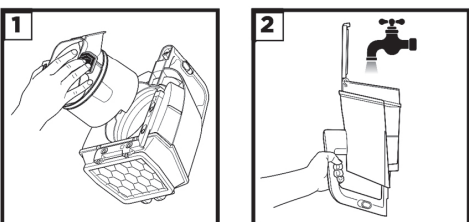
## MAINTENANCE

**IMPORTANT:** Unplug the power cord before performing any maintenance.

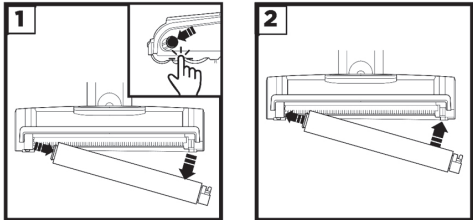
### EMPTYING THE DUST CUP



### CLEANING THE CYCLONE

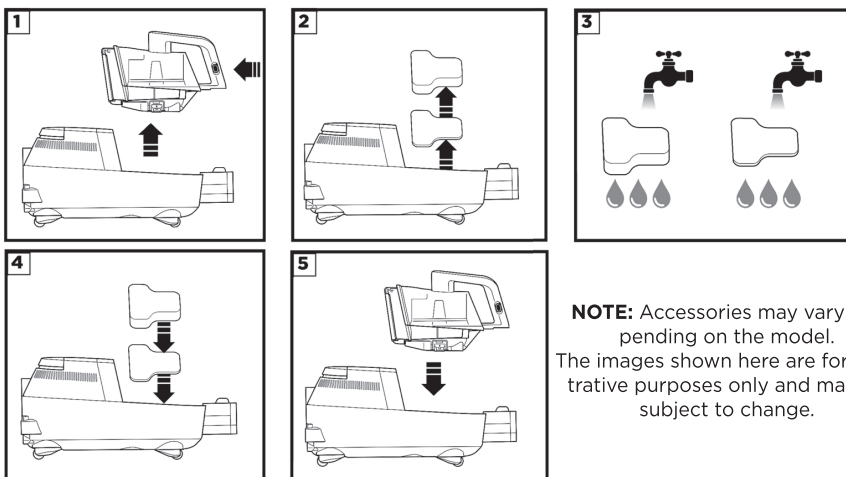


### CLEANING THE SOFT ROLLER



\*Only applies to certain models

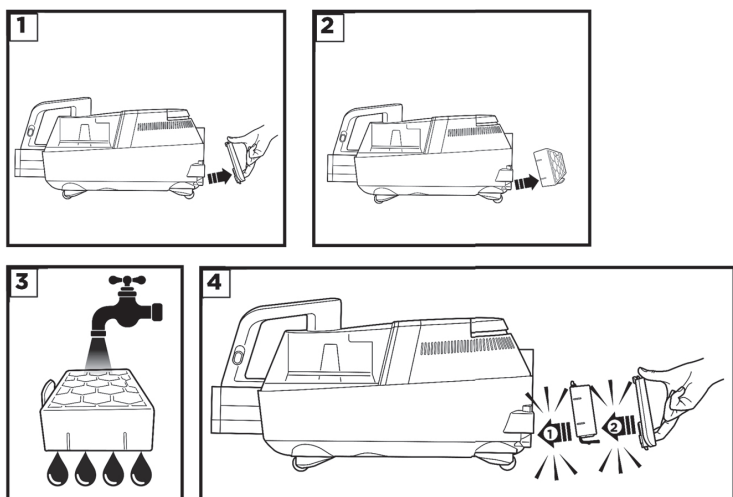
## FOAM AND FELT FILTER MAINTENANCE



**NOTE:** Accessories may vary depending on the model. The images shown here are for illustrative purposes only and may be subject to change.

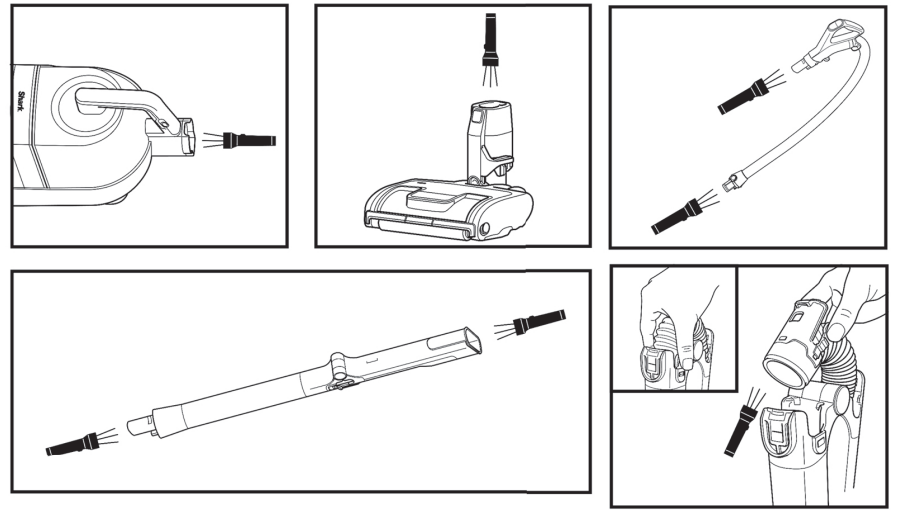
**NOTE:** Foam and felt filters should be rinsed at least every 3 months.

## HEPA FILTER MAINTENANCE



**NOTE:** HEPA filter should be rinsed at least once a year.

## CHECKING FOR BLOCKAGES



**NOTE:** The images shown here are for illustrative purposes only and may be subject to change.

## TROUBLESHOOTING

### Vacuum is not picking up debris. No suction or light suction.

- Check filters to see if they need cleaning. Follow instructions for rinsing and air-drying the filters before reinstalling them.
- Dust cup may be full; empty dust cup.
- Check hose, hose connections, nozzle, wand, pod, and accessories for blockages. Clear any blockages found. See Checking for Blockages section for more information.
- If any hair, string, or carpet fibers are wrapped around the brushroll, extend cleaning time to allow the self-cleaning brushroll to remove them. If some hair or fibers remain wrapped around brushroll after continued use, carefully remove them.

### Vacuum lifts area rugs.

- Make sure floor mode on the handle is set to the Hard Floor setting.
- Suction is powerful. Using the suction control button on the handle, reduce suction to setting 1 or 2 if needed. Take care when vacuuming area rugs or rugs with delicately sewn edges.

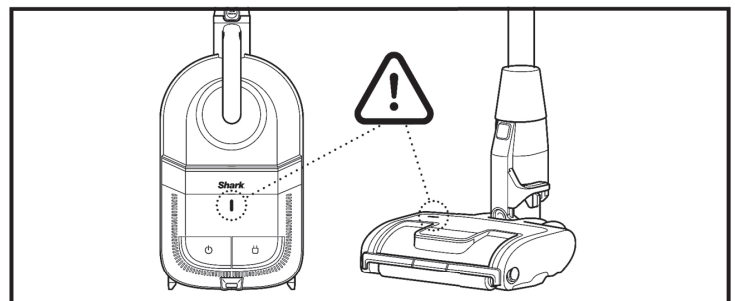
### Brushrolls do not spin.

- If the Brushroll Indicator Light turns red, immediately turn off and unplug the vacuum. Remove pod and wand from floor nozzle and clear any blockages. Reconnect nozzle, plug in vacuum, and turn on power.
- With the power on and handle inserted into the wand, recline the handle, which will automatically turn on the brushrolls.

### Vacuum turns off on its own or indicator light flashes red.

If your vacuum overheats, the thermostat will automatically turn off the motor. Perform the following steps to restart:

- Turn vacuum off and unplug it.
- Empty dust cup and clean filters. See Emptying the Dust Cup and filter maintenance sections for more information.
- Check for blockages in hose, wand, floor nozzle, accessories, and inlet openings.
- Allow unit to cool for a minimum of 60 minutes.
- Plug in vacuum and turn it on.



For all other issues, please contact a service center.



PRINTED IN MEXICO  
OBPN: CZ2000Series\_IB\_EFS\_MP\_Mv5\_210715  
SC: 18-10-2022\_TAB MODEL: CZ2001\_B



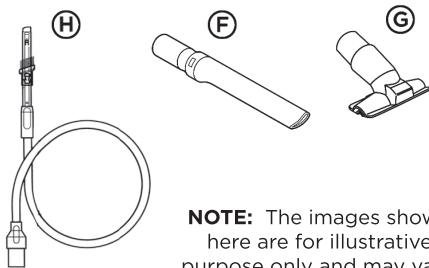
Please be sure to read the enclosed Shark® Owner's Guide prior to using your unit.

# Shark

## QUICK START GUIDE

### WHAT'S INSIDE

- (A)** Handle
- (B)** Hose
- (C)** MultiFLEX® Wand
- (D)** Canister Pod
- (E)** DuoClean® PowerFins™ Floor Nozzle
- (F)** Pet Crevice Tool
- (G)** Upholstery Tool
- (H)** Precision Duster



**NOTE:** The images shown here are for illustrative purpose only and may vary.



804006741A

PRINTED IN MEXICO

Elbrd: J.E.

OBPN: BxFlp

SC: 11-14-2023\_.5P

SHNMDL: CZ2005