

NINJA®

FOODI® DOUBLE OVEN
DCT401Q Series | Owner's Guide
814100186



"Recipe book not included"

IMPORTANT SAFEGUARDS

HOUSEHOLD USE ONLY - READ ALL INSTRUCTIONS BEFORE USE.



Read and review instructions to understand operation and use of product.



Indicates the presence of a hazard that can cause personal injury, death or substantial property damage if the warning included with this symbol is ignored.



Avoid contact with hot surface. Always use hand protection to avoid burns.



For indoor and household use only.

⚠ WARNING

To reduce the risk of injury, fire, electrical shock or property damage, basic safety precautions must always be followed, including the following numbered warnings and subsequent instructions. Do not use appliance for other than intended use.

- 1 To eliminate a choking hazard for young children, discard all packaging materials immediately upon unpacking.
- 2 Take inventory of all contents to ensure you have all parts needed to properly and safely operate your oven.
- 3 This appliance can be used by persons with reduced physical, sensory or mental capabilities or lack of experience and knowledge if they have been given supervision or instruction concerning use of the appliance in a safe way and understand the hazards involved.
- 4 To eliminate a choking hazard for young children, discard all packaging materials immediately upon unpacking.
- 5 **DO NOT** use an extension cord. A short power-supply cord is used to reduce the risk of children grabbing the cord or becoming entangled and to reduce the risk of people tripping over a longer cord.
- 6 **NEVER** use outlet below counter level.
- 7 Keep the appliance and its cord out of reach of children. **DO NOT** allow the appliance to be used by children. Close supervision is necessary when used near children.
- 8 **DO NOT** let cord hang over edges of tables or counters.
- 9 **DO NOT** place appliance on hot surfaces, near a hot gas or electric burner, in a heated oven, or on a stovetop.
- 10 **NEVER** leave the oven unattended while in use.
- 11 If food contents were to catch fire during cooking, **DO NOT** open the oven door.
 - If you can safely do so, unplug the oven immediately.
 - **DO NOT** throw water onto the fire. Food contents may contain grease and water may cause fire growth.
 - If fire were to emit from the oven door, call the fire department immediately.
 - **DO NOT** use the oven after it has experienced a fire, it may have been damaged and present a risk of fire or shock.
- 12 **DO NOT** place any object directly onto the heating elements. **DO NOT** cover the crumb tray, heating elements, or walls of oven. This will cause the oven to overheat or cause a fire.
- 13 **DO NOT** use the oven with crumb tray incorrectly installed. Crumb tray **MUST** be placed below lower heating elements.
- 14 To protect against electrical shock **DO NOT** immerse cord, plugs, or main unit housing in water or other liquid.
- 15 **DO NOT** place appliance on hot surfaces, near a hot gas or electric burner, in a heated oven, or on a stovetop.
- 16 **DO NOT** use the oven with damage to the power cord or plug. Regularly inspect the oven and power cord. If the oven malfunctions or has been damaged in any way, immediately stop use and contact a service center.

TECHNICAL SPECIFICATIONS

Voltage: 120V~, 60Hz
Power: 1800 Watts

PRINTED IN MEXICO
SC: 01-08-2024 Elbrd: J.M
OBPN:DCT401QSeries_IB_MP_Mv4_230609
SHDML: DCT401Q_B

814100186



IMPORTANT SAFEGUARDS

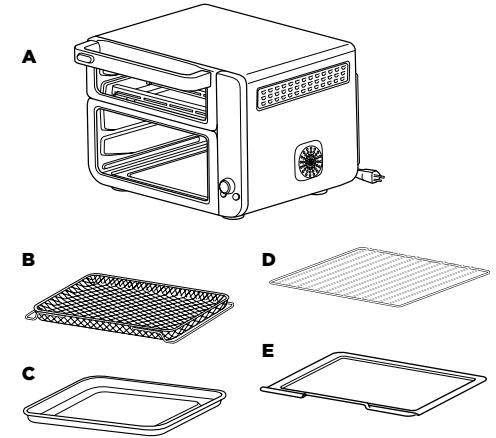
HOUSEHOLD USE ONLY - READ ALL INSTRUCTIONS BEFORE USE.

- 17 **DO NOT** cover the air intake vents or air outlet vents while unit is operating. Doing so will prevent even cooking and may damage the unit or cause it to overheat.
- 18 **DO NOT** insert anything in the ventilation slots and do not obstruct them.
- 19 **DO NOT** place items on top of surface while unit is operating except for authorized recommended Ninja® accessories.
- 20 Before placing any accessories into the oven ensure they are clean and dry.
- 21 Intended for countertop use only. **DO NOT** place the oven near the edge of the countertop. Ensure the surface is level, clean and dry.
- 22 This oven is for household use only. **DO NOT** use this oven for anything other than its intended use. Misuse may cause injury.
- 23 **DO NOT** store any materials, other than supplied accessories, in this oven when not in use.
- 24 **DO NOT** use outdoors. **DO NOT** use in moving vehicles or boats.
- 25 **DO NOT** use accessory and attachments not recommended or sold by SharkNinja.
- 26 When using this oven, provide adequate space (at least 1 inch above and on all sides) for air circulation.
- 27 A fire may occur if the oven is covered or touching flammable material, including curtains, draperies, walls, or the like when in operation.
- 28 This oven has a tempered glass door and is more resistant to breakage. Avoid scratching door surface or nicking edges.
- 29 **DO NOT** place anything directly on heating elements and **DO NOT** use the oven without a wire rack or air fry basket installed.
- 30 **DO NOT** spray any type of aerosol spray or flavoring inside the oven while cooking.
- 31 Use caution when inserting and removing anything from the oven, especially when hot.
- 32 Outlet voltages can vary, affecting the performance of your product. To prevent possible illness, use a thermometer to check that your food is cooked to the temperatures recommended.
- 33 Prevent food contact with heating elements. Excessive food loads may cause personal injury or property damage or affect the safe use of the oven.
- 34 Oversize foods or metal utensils must not be inserted in a toaster oven, as they may create a fire or risk of electric shock.
- 35 With the exception of parchment paper, **DO NOT** place any of the following materials in the oven: paper, cardboard, plastic, roasting bags and the like.
- 36 **EXTREME CAUTION** should be exercised when using containers constructed of any materials other than metal or glass.
- 37 **DO NOT** touch hot surfaces. Oven surfaces and glass door are hot during and after operation. To prevent burns or personal injury, **ALWAYS** use protective hot pads or insulated oven mitts and use available handles.
- 38 Spilled food can cause serious burns. Extreme caution must be used when the oven contains hot food. Improper use may result in personal injury.
- 39 Please refer to the Cleaning & Maintenance section for regular maintenance of the oven.
- 40 Cleaning and user maintenance shall not be done by children.
- 41 Allow to cool completely before cleaning and moving for storage.
- 42 When not in use, press the Power button to OFF, then unplug. Grasp the plug by the body and pull from the outlet. Never unplug by grasping and pulling flexible cord.
- 43 **DO NOT** clean with metal scouring pads. Pieces can break off the pad and touch electrical parts, causing a risk of electrical shock.
- 44 **DO NOT** use the oven as a source of heat or for drying.
- 45 This appliance has important markings on the plug blade. The entire supply cord is not suitable for replacement. If damaged, please contact a service center.

SAVE THESE INSTRUCTIONS

PARTS & ACCESSORIES

- A **Main Unit**
(attached power cord not shown)
- B **Air Fry Basket**
Install when using the Air Fry function.
Hand-wash recommended.
- C **Sheet Pan(s)**
Place on the wire rack(s).
Hand-wash only.
- D **Wire Racks**
Use on their own or place the sheet pan(s) on top. Hand-wash recommended.
- E **1 Removable Crumb Tray**
(already installed in unit)
Must remain installed when the top oven is in use. Also usable in the bottom oven. Hand-wash only.



NOTE: Accessory type and quantity may vary depending on the model.

IMPORTANT: Unit includes 1 removable crumb tray. Place crumb tray below lower heating elements in the top oven or at the very bottom of the bottom oven. **DO NOT** slide into any rack positions.

COMMON-SENSE PRACTICES/GOOD HABITS:

- **DO NOT** leave the oven unattended while making food. If possible, unplug the oven while not in use to eliminate the possibility of accidents occurring.
- Have a fire extinguisher or fire containment blanket handy in a safe, known location. If you don't have a fire extinguisher, douse the flames with baking soda until they are put out.
- If a fire occurs and the food in the oven is not greasy, immediately unplug the unit and douse the flames with water until the fire is extinguished. **DO NOT** use water if grease is present, since it could make the fire worse. Use baking soda instead.

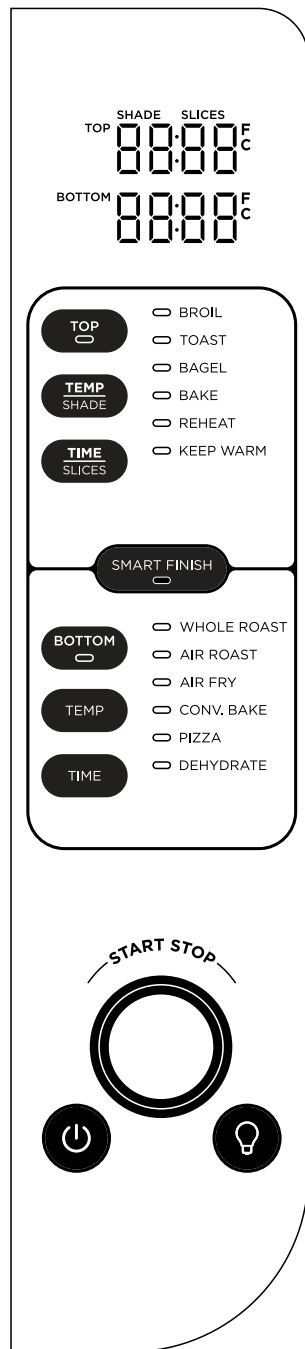
BEFORE FIRST USE

- 1 Remove and discard any packaging material and tape from the unit.
- 2 Remove all accessories from the package and read this manual carefully. Please pay particular attention to operational instructions, warnings, and important safeguards to avoid any injury or property damage.
- 3 Wash the air fry basket, sheet pan(s), wire racks, and removable crumb tray in warm, soapy water, then rinse and dry thoroughly. **DO NOT** put sheet pan or removable crumb tray in the dishwasher. Finishes may degrade. **NEVER** submerge the main unit in water.

We recommend placing all accessories inside the oven and running the top oven on Bake at 450°F for 25 minutes, with the bottom oven on Air Fry at 450°F for 25 minutes without adding any food. Make sure the area is well ventilated, as some odor may be released. This removes any packaging residue and odor traces that may be present. This is completely safe and not detrimental to the performance of the oven.

NOTE: The accessories are hand-wash recommended. The air fry basket and wire racks can be put in the dishwasher, but may wear more quickly over time.

USING THE CONTROL PANEL



FUNCTIONS

Once you've selected a function below, you can change temperature/shade and time/slices.

NOTE: Reheat, Keep Warm, and Dehydrate functions are not included on all models.

TOP OVEN:

BROIL: Evenly broil meats or fish and brown the tops of casseroles.

TOAST: Toast up to 6 slices of bread to your desired level of darkness.

BAGEL: Perfectly toast up to 6 bagel halves when they're placed cut-side up on the wire rack.

BAKE: Evenly bake everything from your favorite cookies to cakes.

REHEAT: Heat leftovers without over cooking.

KEEP WARM: Keep food warm after cooking.

BOTTOM OVEN:

WHOLE ROAST: Simultaneously roast large proteins (like a 4½-lb chicken) and sides for a complete meal.

AIR ROAST: Achieve a crispy outside and perfectly cooked inside for full-sized sheet pan meals, thicker proteins, and roasted veggies.

AIR FRY: Foods that would traditionally be fried—such as chicken wings, French fries, and chicken nuggets—with little to no added oil.

CONV. BAKE (CONVECTION BAKE):

Evenly bakes cookies, cakes, brownies, and other goods faster.

PIZZA: Cook frozen or homemade pizzas evenly.

DEHYDRATE: Dehydrate meats, fruits, and vegetables for healthy snacks.

NOTE: The oven's technology leads to faster cooking. Always monitor food to prevent overcooking.

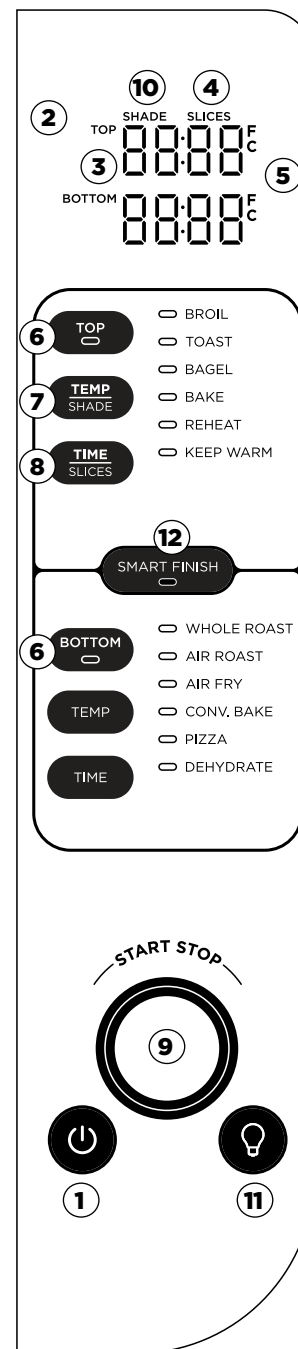
NOTE: The images shown here are for illustrative purposes only and may be subject to change, the actual descriptions of control panel and their locations may vary depending on the model.

CONTROL PANEL DISPLAY & OPERATING BUTTONS

- 1 (Power) button:** Press to turn the unit on and off.
- Time display:** Shows the cook time. The time will count down when cooking is in progress.
- PREHEAT:** PRE will display on the clock while the oven is preheating. If the oven is already up to temperature from using a previous cooking function, the unit will skip preheating, and the cook timer will start.
- SLICES:** Illuminates when using the Toast or Bagel function to designate number of slices.
- Temperature display:** Shows the cook temperature.

NOTE: Time and temperature will always return to the settings used the last time the oven was in operation.

- TOP and BOTTOM buttons:** To select a cooking function, press the TOP button and turn dial to select a top-oven function (Broil, Toast, Bagel, Bake, Reheat, or Keep Warm) or the BOTTOM button and turn dial to select a bottom-oven function (Whole Roast, Air Roast, Air Fry, Conv. Bake, Pizza, and Dehydrate). Press and hold TOP or BOTTOM button for 3 seconds to turn off that oven.
- TEMP/SHADE button:** To adjust temperature, press the TEMP/SHADE button (top oven) or the TEMP button (bottom oven), then turn dial to increase or decrease temperature in 5-degree increments. When using the Toast or Bagel function, the dial will adjust the shade level from 1 (lightest) to 7 (darkest) instead of the temperature.
- TIME/SLICES button:** To select a cook time, press the TIME/SLICES button (top oven) or the TIME button (bottom oven), then turn dial to increase or decrease time in 1-minute increments under 1 hour and 5-minute increments over 1 hour. When using the Toast or Bagel function, these buttons will adjust the number of slices/bagel halves instead of the time.
- START/STOP dial:** Push to start or stop cooking. When using both ovens, START/STOP will start or stop both ovens. To start or stop one oven, press TOP or BOTTOM, then press the START/STOP dial.
- SHADE:** Illuminates when using the Toast or Bagel function to designate desired shade.
- (Light) button:** Press to turn the oven's interior light on and off.
- SMART FINISH button:** When cooking in both ovens, press this button before pressing START/STOP dial to have both ovens finish at the same time.



HOW TO REDUCE SMOKE

We recommend using canola, coconut, avocado, grapeseed, or vegetable oil instead of olive oil.



(Not included)

Recommended:
 Canola
 Refined coconut
 Avocado
 Vegetable
 Grapeseed



Not recommended:
 Olive oil
 Butter
 Margarine

The unit may produce smoke when cooking on a hotter setting than what is recommended.

NOTE:

In order to ensure the highest possible standard for refurbished items, all units are thoroughly inspected as part of the process.

For this item, water may be used during the refurbishing process and so; you may notice some condensation in the water reservoir.

It is recommended to rinse the water reservoir with fresh water prior to its first use.

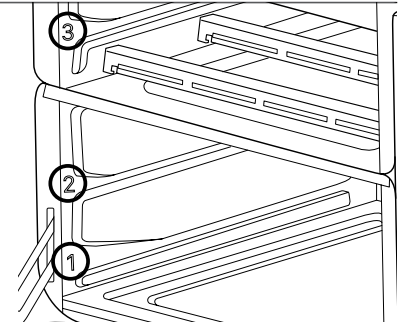
USING YOUR FOODI® DOUBLE OVEN

USING THE COOKING FUNCTIONS IN TWO OVENS

The oven has 2 available rack positions in the bottom oven and 1 available rack position in the top oven for sliding accessories into the unit.

Positioning the Racks

Each cook function corresponds to a specific oven and rack level. See the chart below to determine the recommended accessory and rack level for each function. For best results, use only the recommended accessory/accessories for each function and remove the others from the oven.



The image shown here is for illustrative purposes only and may be subject to change.

		BROIL	TOAST	BAGEL	BAKE	REHEAT/KEEP WARM
TOP OVEN	LEVEL 3	Sheet Pan on Wire Rack	Wire Rack	Wire Rack	Sheet Pan on Wire Rack	Sheet Pan on Wire Rack

		WHOLE ROAST	AIR ROAST	AIR FRY	BAKE	PIZZA	DEHYDRATE
BOTTOM OVEN	LEVEL 2			Air Fry Basket			Air Fry Basket
	LEVEL 1	Sheet Pan on Wire Rack	Sheet Pan on Wire Rack	Sheet Pan on Wire Rack for greasy, drippy foods	Sheet Pan on Wire Rack	Sheet Pan on Wire Rack	

NOTE: Always place sheet pan on wire rack. **DO NOT** place directly on heating elements.

NOTE: When cooking greasy, drippy foods, place the sheet pan on the wire rack on level 1 to catch the drippings.

USING YOUR FOODI® DOUBLE OVEN - CONT.

To turn on the unit, plug the power cord into an outlet and press the Power button. The unit will automatically shut off after 10 minutes of inactivity.

USING TWO OVENS

NOTE: PREHEAT FOR BEST RESULTS. Add food only when preheating is complete (up to 3 minutes after pressing START/STOP). Broil, Toast, Bagel, Keep Warm, and Dehydrate do not have a preheat. If Smart Finish is enabled, preheat will only occur in the oven with the longest cook time.

- 1 Press the Power button to turn the oven on.
- 2 Press TOP and turn dial to select a top-oven function. Press TOP again to confirm function selection.
- 3 Press the TEMP/SHADE button, then turn the dial to set the cook temperature for the top-oven function (shade darkness will be adjusted for Toast and Bagel). Press again to confirm the setting.
- 4 Press the TIME/SLICES button, then turn the dial to set the cook time for top-oven function (or number of slices for Toast and Bagel). Press again to confirm the setting.
- 5 Press BOTTOM and turn dial to select a bottom-oven function. Press again to confirm the setting.
- 6 Press the TEMP button, then turn the dial to set the cook temperature for the bottom-oven function. Press again to confirm the setting.
- 7 Press the TIME button, then turn the dial to set the cook time for the bottom-oven function. Press again to confirm the setting.
- 8 Press the START/STOP dial to start cooking in both ovens. Preheating is required for Bake, Whole Roast, Air Roast, Air Fry, Convection Bake, and Pizza.
- 9 When the unit beeps to signify it has preheated, immediately place food in unit and close the door.

USING TWO OVENS WITH SMART FINISH™

NOTE: PREHEAT FOR BEST RESULTS. Add food only when preheating is complete (up to 3 minutes after pressing START/STOP). Broil, Toast, Bagel, Keep Warm, and Dehydrate do not have a preheat. If Smart Finish is enabled, preheat will only occur in the oven with the longest cook time.

- 1 press the Power button to turn the oven on.
- 2 Press TOP and turn dial to select a top-oven function. Press TOP again to confirm function selection.
- 3 Press the TEMP/SHADE button, then turn the dial to set the cook temperature for the top-oven function (shade darkness will be adjusted for Toast and Bagel). Press again to confirm the setting.
- 4 Press the TIME/SLICES button, then turn the dial to set the cook time for the top-oven function (or number of slices for Toast and Bagel). Press again to confirm the setting.
- 5 Press BOTTOM and turn dial to select a bottom-oven function. Press again to confirm the setting.
- 6 Press the TEMP button, then turn the dial to set the cook temperature for the bottom-oven function. Press again to confirm the setting.
- 7 Press the TIME button, then turn the dial to set the cook time for the bottom-oven function. Press again to confirm the setting.
- 8 To use different settings in both ovens and have them finish at the same time, press the SMART FINISH button. Press button after choosing a function and temperature for one oven and then the other, or press button after choosing a function, temperature, and time for both ovens.
- 9 Press the START/STOP dial to start cooking in both ovens. Preheating is required for Bake, Whole Roast, Air Roast, Air Fry, Convection Bake, and Pizza.
- 10 When the unit beeps to signify it has preheated, immediately place food in unit and close the door.
- 11 During the initial setup, the oven with the shorter cook time will display HOLD until time matches the other oven.

To turn on the unit, plug the power cord into an outlet and press the Power button. The unit will automatically shut off after 10 minutes of inactivity.

TOP OVEN FUNCTIONS

Broil

NOTE: Unit does not preheat in Broil mode.

- 1 Press the TOP button and turn dial until BROIL illuminates. The default time and temperature settings will display. Press the TOP button again to confirm the BROIL selection.
- 2 Press the TIME/SLICES button, then turn the dial to select a cook time up to 30 minutes. Press the TIME/SLICES button again to confirm selection.
- 3 Press the TEMP/SHADE button, then turn the dial to select HI or LO. Press the TEMP/SHADE button again to confirm temperature selection.
- 4 Place ingredients on the sheet pan. Place the sheet pan on the wire rack on level 3 in the top oven. Close oven door and press START/STOP dial to begin cooking.
- 5 When cook time is complete, the unit will beep and END will appear on the display.

Toast

NOTE: Unit does not preheat in Toast mode.

- 1 Press the TOP button and turn dial until TOAST illuminates. The default amount of slices and darkness level will display. Press the TOP button again to confirm the TOAST selection.
- 2 Press the TIME/SLICES button, then turn the dial to select the number of bread slices. You may toast up to 6 slices at once. Press the TIME/SLICES button again to confirm slice selection.
- 3 Press the TEMP/SHADE button, then turn the dial to select a darkness level. Press the TEMP/SHADE button again to confirm shade selection.

NOTE: There is no temperature adjustment available for the Toast function, and the unit does not preheat in Toast mode. It is very important to select the exact number of slices to avoid over- or under-toasting.

- 4 Place bread slices directly on the wire rack on level 3 in the top oven. Close oven door and press START/STOP dial to begin cooking.

NOTE: You can also manually adjust the time once cooking has started to better achieve your preferred shade.

- 5 When cook time is complete, the unit will beep and END will appear on the display.

Bagel

NOTE: Unit does not preheat in Bagel mode.

- 1 Press the TOP button and turn dial until BAGEL illuminates. The default number of slices and darkness level will display. Press the TOP button again to confirm the BAGEL selection.
- 2 Press the TIME/SLICES button, then turn the dial to select the number of slices. You may toast up to 6 bagel slices at once. Press the TIME/SLICES button again to confirm slice selection.
- 3 Press the TEMP/SHADE button, then turn the dial to select a darkness level. Press the TEMP/SHADE button again to confirm shade selection.

NOTE: There is no temperature adjustment available for the Bagel function, and the unit does not preheat in Bagel mode. It is very important to select the exact number of slices to avoid over- or under-toasting.

- 4 Place bagel slices, cut-side up, directly on the wire rack on level 3 in the top oven. Close oven door and press START/STOP dial to begin cooking.

NOTE: You can also manually adjust the time once cooking has started to better achieve your preferred shade.

- 5 When cook time is complete, the unit will beep and END will appear on the display.

USING YOUR FOODI® DOUBLE OVEN - CONT.

To turn on the unit, plug the power cord into an outlet and press the Power button. The unit will automatically shut off after 10 minutes of inactivity.

Bake

- 1 Press the TOP button and turn dial until BAKE illuminates. The default time and temperature settings will display. Press the TOP button again to confirm the BAKE selection.
- 2 Press the TIME/SLICES button, then turn the dial to select a cook time up to 4 hours. Press the TIME/SLICES button again to confirm time selection.

NOTE: If cooking for 1 hour or less, the clock will count down by minutes and seconds. If cooking for more than 1 hour, the clock will count down by hours and minutes.

- 3 Press the TEMP/SHADE button, then turn the dial to select a temperature between 180°F and 450°F. Press the TEMP/SHADE button again to confirm temperature selection.
- 4 Press START/STOP dial to begin preheating.
- 5 Place ingredients on the sheet pan, cake pan, or casserole dish. When the unit beeps to signify it has preheated, immediately place the sheet pan on the wire rack on level 3 in the top oven. Close oven door.

NOTE: The timer will start counting down as soon as the unit has preheated. If ingredients are not ready to go into the oven, simply press the TIME button and turn dial to add more time.

- 6 When cook time is complete, the unit will beep and END will appear on the display.

Reheat

NOTE: The Reheat function is not included on all models.

NOTE: Unit does not preheat in Reheat mode.

- 1 Press the TOP button and turn dial until REHEAT illuminates. Press the TOP button again to confirm the REHEAT selection.
- 2 Press the TIME/SLICES button, then turn the dial to select a reheat time up to 4 hours. Press the TIME/SLICES button again to confirm time selection.
- 3 Press the TEMP/SHADE button, then turn the dial to select a temperature between 100°F and 450°F. Press the TEMP/SHADE button again to confirm temperature selection.
- 4 Place food on the sheet pan or in an oven-safe container and place the pan or container on the wire rack on level 3 in the top oven. Close oven door and press START/STOP dial to begin reheating.
- 5 When reheating time is complete, the unit will beep and END will appear on the display.

Keep Warm

NOTE: The Keep Warm function is not included on all models.

NOTE: Unit does not preheat in Keep Warm mode.

- 1 Press the TOP button and turn dial until KEEP WARM illuminates. The default time and temperature settings will display. Press the TOP button again to confirm the KEEP WARM selection.
- 2 Press the TIME/SLICES button and turn the dial to select a time up to 2 hours. Press the TIME/SLICES button again to confirm time selection.

NOTE: There is no temperature selection available for the Keep Warm function.

- 3 Place food on the sheet pan or in an oven-safe container and place the pan or container on the wire rack on level 3 in the top oven. Close oven door and press START/STOP dial to begin warming.
- 4 When warming time is complete, the unit will beep and END will appear on the display.

To turn on the unit, plug the power cord into an outlet and press the Power button. The unit will automatically shut off after 10 minutes of inactivity.

BOTTOM OVEN FUNCTIONS

NOTE: When using only bottom oven with high-moisture foods (like frozen foods), it is normal to see condensation in the top-oven window.

Whole Roast

- 1 Press the BOTTOM button and turn dial until WHOLE ROAST illuminates. The default time and temperature settings will display. Press the BOTTOM button again to confirm the WHOLE ROAST selection.
- 2 Press the TIME button, then turn the dial to select a cook time up to 4 hours. Press the TIME button again to confirm time selection.

NOTE: If cooking for 1 hour or less, the clock will count down by minutes and seconds. If cooking for more than 1 hour, the clock will count down by hours and minutes.

NOTE: Food cooks faster when using the Whole Roast function, so refer to cooking charts in the Inspiration Guide for more guidance on cook times and temperatures.

- 3 Press the TEMP button, then turn the dial to select a temperature between 250°F and 450°F. Press the TEMP button again to confirm temperature selection.
- 4 Press START/STOP dial to begin preheating.
- 5 Place ingredients directly on sheet pan. When the unit beeps to signify it has preheated, immediately place sheet pan on the wire rack on level 1 in the bottom oven. Close oven door.

NOTE: The timer will start counting down as soon as the unit has preheated. If ingredients are not ready to go into the oven, simply press the TIME button and turn the dial to add more time.

- 6 When cook time is complete, the unit will beep and END will appear on the display.

Air Roast

- 1 Press the BOTTOM button and turn dial until AIR ROAST illuminates. The default time and temperature settings will display. Press the BOTTOM button again to confirm the AIR ROAST selection.
- 2 Press the TIME button, then turn the dial to select a cook time up to 4 hours. Press the TIME button again to confirm time selection.

NOTE: If cooking for 1 hour or less, the clock will count down by minutes and seconds. If cooking for more than 1 hour, the clock will count down by hours and minutes.

NOTE: Food cooks faster when using the Air Roast function, so refer to cooking charts in the Inspiration Guide for more guidance on cook times and temperatures.

- 3 Press the TEMP button and turn dial to select a temperature between 250°F and 450°F. Press the TEMP button again to confirm temperature selection.
- 4 Press START/STOP dial to begin preheating.
- 5 Place ingredients on the sheet pan. When the unit beeps to signify it has preheated, immediately place the sheet pan on the wire rack on level 1 in the bottom oven. Close oven door.

NOTE: The timer will start counting down as soon as the unit has preheated. If ingredients are not ready to go into the oven, simply press TIME button and turn dial to add more time.

- 6 When cook time is complete, the unit will beep and END will appear on the display.

USING YOUR FOODI® DOUBLE OVEN - CONT.

To turn on the unit, plug the power cord into an outlet and press the Power button. The unit will automatically shut off after 10 minutes of inactivity.

Air Fry

- 1 Press the BOTTOM button and turn dial until AIR FRY illuminates. The default time and temperature settings will display. Press the BOTTOM button again to confirm the AIR FRY selection.
- 2 Press the TIME button, then turn the dial to select a cook time up to 4 hours. Press the TIME button again to confirm time selection.
- 3 Then press the TEMP button, then turn the dial to select a temperature between 250°F and 450°F. Press the TEMP button again to confirm temperature selection.
- 4 Press START/STOP dial to begin preheating.

NOTE: Food cooks faster when using the Air Fry function. Refer to Air Fry Chart in the Inspiration Guide for more guidance on cook times and temperatures.

- 5 Place ingredients in the air fry basket. When the unit beeps to signify it has preheated, immediately place the basket on the wire rack on level 2 in the bottom oven. If ingredients are fatty, oily, or marinated, place the sheet pan on the wire rack on level 1 in the bottom oven. Close oven door.

NOTE: The timer will start counting down as soon as the unit has preheated. If ingredients are not ready to go into the oven, simply press the TIME button and turn dial to add more time.

- 6 When cook time is complete, the unit will beep and END will appear on the display.

Convection Bake

- 1 Press the BOTTOM button and turn dial until CONV. BAKE illuminates. The default time and temperature settings will display. Press the BOTTOM button again to confirm the CONV. BAKE selection.
- 2 Press the TIME button, then turn the dial to select a cook time up to 4 hours. Press the TIME button again to confirm time selection.
- 3 Press the TEMP button and turn the dial to select a temperature between 180°F and 450°F. Press the TEMP button again to confirm temperature selection.
- 4 Press START/STOP to begin preheating.
- 5 Place ingredients on the sheet pan, cake pan, or casserole dish. When the unit beeps to signify it has preheated, immediately place the sheet pan on the wire rack on level 1 in the bottom oven. Close oven door.
- 6 When cook time is complete, the unit will beep and END will appear on the display.

NOTE: The timer will start counting down as soon as the unit has preheated. If ingredients are not ready to go into the oven, simply press the TIME button to add more time.

NOTE: If cooking for 1 hour or less, the clock will count down by minutes and seconds. If cooking for more than 1 hour, the clock will count down by hours and minutes.

Pizza

NOTE: Unit does not preheat in Pizza mode.

- 1 Press the BOTTOM button and turn dial until PIZZA illuminates. The default time and temperature setting will display. Press the BOTTOM button again to confirm the PIZZA selection.
- 2 Press the TIME button, then turn the dial to select a cook time up to 4 hours. Press the TIME button again to confirm time selection.
- 3 Press the TEMP button, then turn the dial to select a temperature between 180°F and 450°F. Press the TEMP button again to confirm temperature selection.
- 4 Place pizza on the sheet pan or directly on the wire rack on level 2 in the bottom oven. Close oven door and press START/STOP dial to begin cooking.
- 5 When cook time is complete, the unit will beep and END will appear on the display.

Dehydrate

NOTE: Purchase additional dehydrate accessory to dehydrate on two levels at one time.

NOTE: Unit does not preheat in Dehydrate mode.

- 1 Press the BOTTOM button and turn dial until DEHYDRATE illuminates. The default time and temperature settings will display. Press the BOTTOM button again to confirm the DEHYDRATE selection.
- 2 Press the TIME button, then turn the dial to select a dehydrate time up to 24 hours. Press the TIME button again to confirm time selection.
- 3 Press TEMP button, then turn the dial to select a temperature between 85°F and 200°F. Press TEMP button again to confirm temperature selection.
- 4 Place ingredients in the air fry basket on level 2 in the bottom oven. Close oven door and press START/STOP dial to begin cooking.

NOTE: For best results, lay ingredients flat in a single layer.

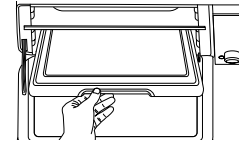
- 5 When dehydrating time is complete, the unit will beep and END will appear on the display.

CLEANING & MAINTENANCE

EVERYDAY CLEANING

The unit should be cleaned thoroughly after every use.

- 1 Unplug the unit from the outlet and allow it to cool down before cleaning.
- 2 Empty crumb tray by sliding it out of the oven. The crumb tray can fit in both the top and bottom ovens.



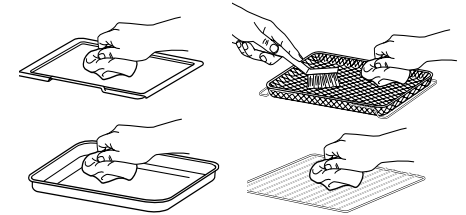
NOTE: Empty crumb tray frequently. Hand-wash when necessary.

- 3 After every use, wipe away any food splatter on the interior walls and glass door of the unit with a soft, damp sponge.
- 4 To clean the exterior of the main unit and the control panel, wipe them clean with a damp cloth. A non-abrasive liquid cleanser or mild spray solution may be used. Apply the cleanser to the sponge, not the oven surface, before cleaning.
- 5 When using accessories, we recommend greasing them with recommended cooking oil, or covering them with parchment paper or aluminum foil before placing food on top.

NOTE: When using parchment paper or aluminum foil, cut to size of accessory. The parchment paper or aluminum foil should not touch any of the heating elements or the inside oven walls as it could cause smoke. **DO NOT** use parchment paper with the Broil function or at temperatures above the parchment manufacturer's recommendations.

DEEP CLEANING

- 1 Unplug the unit from the outlet and allow it to cool down before cleaning.
- 2 Remove all accessories from the unit, including the crumb tray, and wash separately. Use a non-abrasive cleaning brush to more thoroughly wash the air fry basket. Accessories are hand-wash recommended. The air fry basket and wire racks can be put in the dishwasher, but may wear more quickly over time. **DO NOT** place sheet pan or crumb tray in the dishwasher.
- 3 Use warm, soapy water and a soft cloth to wash the oven's interior and glass door, **DO NOT** use abrasive cleaners, scrubbing brushes, or chemical cleaners, as they will damage the oven.
- CAUTION: NEVER** put the main unit in the dishwasher or immerse it in water or any other liquid.
- 4 To remove tough grease, let sheet pan soak overnight in warm, soapy water, then wash with a non-abrasive sponge or brush.
- 5 Thoroughly dry all parts before placing them back in the oven.



IMPORTANT: Place crumb tray below lower heating elements in the top or at the very bottom of the bottom oven. **DO NOT** slide into any rack positions.

The image shown here is for illustrative purposes only and may be subject to change.

TROUBLESHOOTING & FAQ

ERROR MESSAGES

“Er0,” “Er1,” “Er2,” “Er3,” “Er4,” “Er5,” or “Er6”

Turn off the unit and contact a service center.

FAQ

Why won't the oven turn on?

- Make sure the power cord is securely plugged into the outlet.
- Insert the power cord into a different outlet.
- Press the Power button.
- Contact licensed electrician if a faulty outlet is suspected.

Can I use the sheet pan instead of the air fry basket with the Air Fry function?

- Yes, but crispiness results may vary.

Do I need to adjust the cook times and temperatures of traditional oven recipes?

- For best results, keep an eye out on your food while cooking. Refer to cook charts in the Inspiration Guide for more guidance on cook times and temperatures.

Can I restore the unit to its default settings?

- The oven will remember the last setting used for each function, even if you unplug it. To restore the oven's default settings for each function, press the TEMP/SHADE and TIME/SLICES buttons and turn the dial simultaneously for 5 seconds.

Why do the heating elements appear to be turning on and off?

- This is normal. The oven is designed to control temperature precisely for every function by adjusting the heating elements' power levels.

Why does the oven have a different temperature reading with an external thermometer?

- Convection ovens circulate air differently than traditional ovens, so when the door is open, more heat will escape. This may affect any external temperature reading of the unit's interior temperature.
- Since this is a convection oven, it can cook more quickly than a traditional oven. Convection cooking includes a fan that helps speed up cook time by circulating hot air and can affect temperatures within the cavity. The time it takes the unit to heat up to the set temperature will vary based on the amount of food being cooked, the function being used, and the cook temperature and time. The oven features an algorithm that ensures temperature and time settings work with most traditional oven recipes. As a result, the temperature inside the oven may differ from the set temperature. This does not impact cooking quality. Refer to the Inspiration Guide to learn more about recommended cook times and temperatures.

Why is the oven not fully preheated when the preheat cycle is completed?

- During preheating, the unit will not reach the intended cook temperature, but it will preheat to a level that will start cooking your ingredients. As the cook cycle continues, the oven will continue to heat up and cook your food to doneness. It may take up to 10 minutes for the unit to reach the intended cook temperature. This does not affect the cooking quality of most recipes.

Why is steam coming out from the oven door?

- This is normal. Foods with a high moisture content may release steam around the door.

Why is water dripping onto the counter from under the door?

- This is normal. The condensation created by foods with a high moisture content (such as frozen foods) may run down the inside of the door and drip onto the counter.

Why is the oven generating smoke?

- It is highly recommended to clean all accessories and the inside of the oven after each use to prevent grease buildup that can cause smoke.
- Ensure you are using the sheet pan when cooking all greasy foods, or when using Air Fry, Air Roast, or Whole Roast functions.
- If problem persists, run a Toast cycle on shade 7 with accessories removed; this will burn off any additional grease on the heating elements that are causing smoke.

How can I clean the sheet pan?

- For stuck-on food, let the sheet pan soak before cleaning.
- Line the sheet pan with aluminum foil or parchment paper when cooking to make cleanup easier.

Why did a circuit breaker trip while using the oven?

- The unit uses 1800 watts of power, so it must be plugged into an outlet on a 15-amp circuit breaker. It is also important that the unit be the only appliance plugged into an outlet when in use. To avoid tripping a breaker, make sure the unit is the only appliance plugged into an outlet on a 15-amp breaker.

Why does the oven sound like it is still running even though the power is off?

- The cooling fan may continue to run even after the unit has been turned off. This is a normal function and should not be a source of concern. The cooling fan will stop after the temperature of the unit reaches below 95°F (35°C).
-