

Shark VERTEX™

MultiFLEX® DuoClean® PowerFins Cordless Vacuum with Self-Cleaning Brushroll



OWNER'S GUIDE

duo clean POWERFINS

It's important to read this Owner's Guide prior to using your product for the first time.

IMPORTANT SAFETY INSTRUCTIONS

FOR HOUSEHOLD USE ONLY • WHEN USING AN ELECTRICAL APPLIANCE, BASIC PRECAUTIONS SHOULD ALWAYS BE FOLLOWED, INCLUDING THE FOLLOWING. PLEASE READ ALL INSTRUCTIONS BEFORE USING THIS VACUUM.

If the charging cord plug does not fit fully into the outlet, reverse the plug. If it still does not fit, contact a qualified electrician. DO NOT force into outlet or try to modify to fit.

To reduce the risk of shock and unintended operation, turn off power and remove the Li-Ion battery before servicing.

WARNING To reduce the risk of fire, electric shock, injury, or property damage:

THE FLOOR NOZZLE, WAND, AND HANDHELD VACUUM CONTAIN ELECTRICAL CONNECTIONS:

1. This vacuum consists of a motorized nozzle, wand, and handheld vacuum. These components contain electrical connections, electrical wiring, and moving parts that potentially present risk to the user.
2. Before each use, carefully inspect all parts for any damage. If a part is damaged, discontinue use.
3. Use only identical replacement parts.
4. This vacuum contains no serviceable parts.
5. Use only as described in this manual. DO NOT use the vacuum for any purpose other than those described in this manual.
6. With the exception of the filters and dust cup, DO NOT expose any parts of the vacuum to water or other liquids.
7. Keep the appliance and its cord out of reach of children. Do not allow the appliance to be used by children. DO NOT allow to be used as a toy. Close supervision is necessary when used near children.

GENERAL USE

8. This appliance can be used by persons with reduced physical, sensory or mental capabilities or lack of experience and knowledge if they have been given supervision or instruction concerning use of the appliance in a safe way and understand the hazards involved. Cleaning and user maintenance shall not be made by children.
9. Always turn off the vacuum before connecting or disconnecting any current carrying hoses, motorized nozzles, chargers, batteries, or other electrical or mechanical parts.
10. DO NOT handle plug or vacuum with wet hands.
11. DO NOT use without dust cup, filters, and brushroll in place.
12. Only use filters and accessories provided. Failure to do so will void the warranty.
13. DO NOT put any objects into nozzle or accessory openings. DO NOT use with any opening blocked; keep free of dust, lint, hair, and anything that may reduce airflow.
14. DO NOT use if nozzle or accessory airflow is restricted. If the air paths or the motorized floor nozzle become blocked, turn the vacuum off. Remove all obstructions before you turn on the unit again.
15. Keep nozzle and all vacuum openings away from hair, face, fingers, uncovered feet, or loose clothing.
16. DO NOT use if vacuum is not working as it should, or has been dropped, damaged, left outdoors, or dropped into water.
17. Use extra care when cleaning on stairs.
18. DO NOT leave the vacuum unattended while powered on.
19. When powered on, keep the vacuum moving over the carpet surface at all times to avoid damaging the carpet fibers.
20. DO NOT place vacuum on unstable surfaces such as chairs or tables.
21. DO NOT use to pick up:
 - a) Liquids
 - b) Large objects
 - c) Hard or sharp objects (glass, nails, screws, or coins)
 - d) Large quantities of dust (including drywall, fireplace ash, or embers). DO NOT use as an attachment to power tools for dust collection.
 - e) Smoking or burning objects (hot coals, cigarette butts, or matches)
 - f) Flammable or combustible materials (lighter fluid, gasoline, or kerosene)
 - g) Toxic materials (chlorine bleach, ammonia, or drain cleaner)
22. DO NOT use in the following areas:
 - a) Poorly lit areas
 - b) Wet or damp surfaces
 - c) Outdoor areas
 - d) Spaces that are enclosed and may contain explosive or toxic fumes or vapors (lighter fluid, gasoline, kerosene, paint, paint thinners, mothproofing substances, or flammable dust)
23. Turn off the vacuum before plugging in or unplugging the charger.
24. Turn off the vacuum before any adjustment, cleaning, maintenance or troubleshooting.
25. During cleaning or routine maintenance, DO NOT cut anything other than hair, fibers, or string wrapped around the brushroll.
26. Allow all filters to air-dry completely before replacing in the vacuum to prevent liquid from being drawn into electric parts.
27. DO NOT modify or attempt to repair the vacuum or the battery yourself, except as indicated in this manual. DO NOT use the battery or vacuum if it has been modified or damaged. Damaged or modified batteries may exhibit unpredictable behavior resulting in fire, explosion or risk of injury.
28. Turn off all controls before unplugging.
29. Always turn off this appliance before connecting or disconnecting motorized nozzle or hand tool.

BATTERY PACK

30. The battery is the power source for the vacuum. Carefully read and follow all charging instructions.
31. To prevent unintentional starting, ensure the vacuum is powered off before picking up or carrying the vacuum. DO NOT carry the appliance with your finger on the power switch.
32. Use only charger provided. Use of an incorrect charger may result in no charging, and/or unsafe conditions. A charger that is suitable for one type of battery pack may create a risk of fire when used with another battery pack.
33. Keep the battery away from all metal objects such as paper clips, coins, keys, nails, or screws. Shorting the battery terminals increases the risk of fire or burns.
34. Under abusive conditions, liquid may be ejected from the battery. Avoid contact with this liquid, as it may cause irritation or burns. If contact occurs, flush with water. If liquid contacts eyes, seek medical help.
35. Battery should not be stored at temperatures below 3°C (37.4°F) or above 104°F (40°C) to maintain long-term battery life.
36. DO NOT charge battery at temperatures below 5°C (40°F) or above 104°F (40°F). Charging improperly or at temperatures outside of the specified range may damage the battery and increase the risk of fire.
37. Store the appliance indoors. DO NOT use or store it below 3°C (37.4°F). Ensure the appliance is at room temperature before operating.
38. DO NOT expose the battery to fire or temperatures above 265°F (130°C) as it may cause explosion.
39. Use appliances only with specifically designated battery packs. Use of any other battery packs may create a risk of injury and fire.
40. Disconnect the battery pack from the appliance before making any adjustments, changing accessories, or storing appliance. Such preventive safety measures reduce the risk of starting the appliance accidentally.

TECHNICAL SPECIFICATIONS

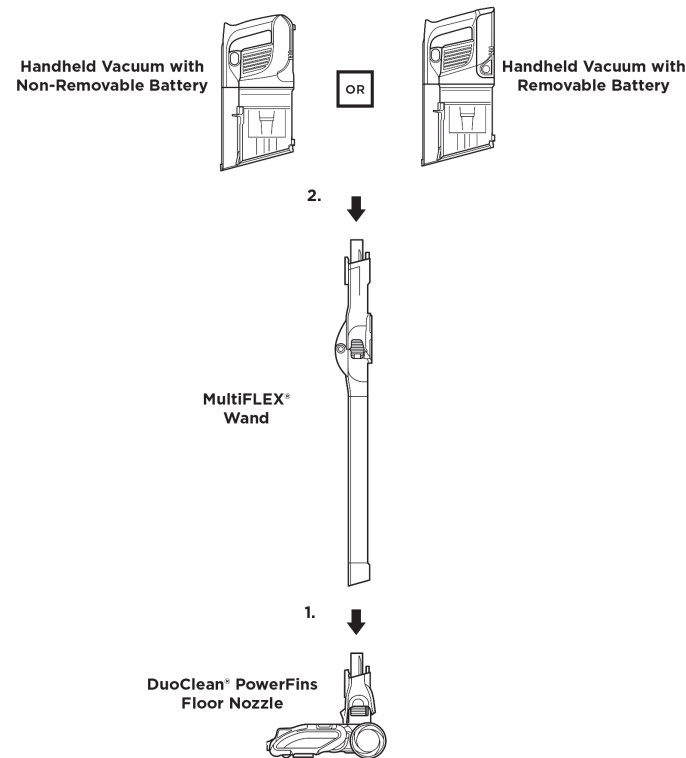
Voltage: 25.2V

SAVE THESE INSTRUCTIONS

ASSEMBLY

1. Insert Wand into Floor Nozzle.
2. Insert Handheld Vacuum into wand.

For proper operation, ensure all components are completely connected and clicked into place.



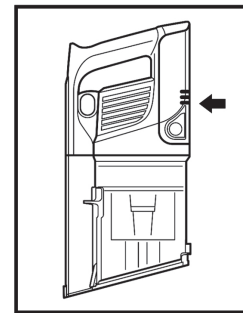
NOTE: Accessories may vary depending on the model. Refer to quick guide, if available.

The images shown here are for illustrative purposes only and may be subject to change.

LI-ION BATTERY

The Lithium Ion Power Pack battery does not come fully charged. Prior to first use, charge completely. During first use, run the battery down until it is completely out of power. This will condition the battery.

LED BATTERY POWER AND CHARGING INDICATORS



Charging

- | | |
|-------------|-------------|
| Low Charge | Mid Charge |
| Nearly Full | Full Charge |

NOTE: Full charge takes approximately 3 hours.

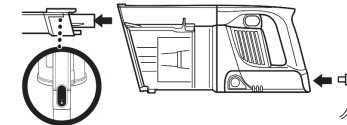
In Use

- | | | |
|--------------|------------|------------|
| Full Charge | Mid Charge | Low Charge |
| Nearly Empty | No Charge | |

RECYCLING THE LI-ION BATTERY

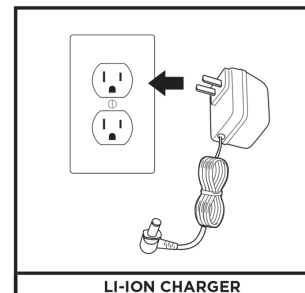
This product uses a lithium-ion rechargeable and recyclable battery. When the battery no longer holds a charge, it should be removed from the vacuum and recycled. DO NOT incinerate or compost the battery. When your Lithium ION Power Pack Battery needs to be replaced, dispose of it or recycle it in accordance with local regulations. In some areas, it is illegal to place spent lithium-ion batteries in the bin or in a municipal solid waste stream. Return spent power packs to an authorized recycling center or to retailer for recycling. Contact your local recycling center for information on where to drop off the spent power pack.

To charge, remove the handheld vacuum from the wand by pressing the Wand Release button and pulling up. Plug the charger into the charging port.

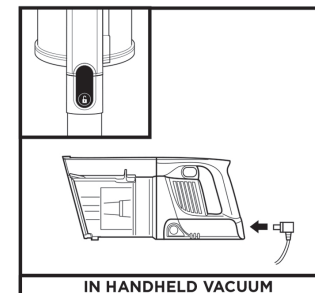


CHARGING THE BATTERY

USING THE LI-ION CHARGER

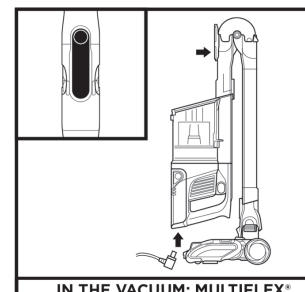


Plug the Li-Ion Charger into a wall outlet.



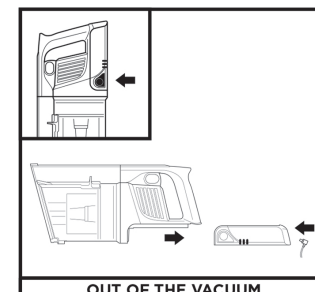
IN HANDHELD VACUUM

If your handheld vacuum's battery is non-removable, press the Wand Release button to detach the handheld vacuum. Plug the charger into the charging port on the handheld vacuum.



IN THE VACUUM: MULTIFLEX®

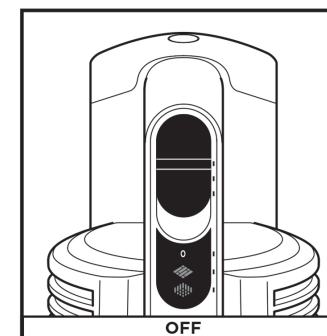
To put the vacuum in storage mode, press the MultiFLEX Wand Unlock Latch while holding the handheld vacuum forward until the wand clicks and locks. Plug the charger into the charging port on the handheld vacuum.



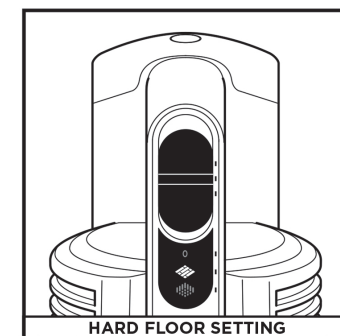
OUT OF THE VACUUM

If battery is removable, press and hold the Battery Release Button, then slide out the battery. Plug the charger into the charging port on the battery, slide it into the slot in the back of the handheld vacuum.

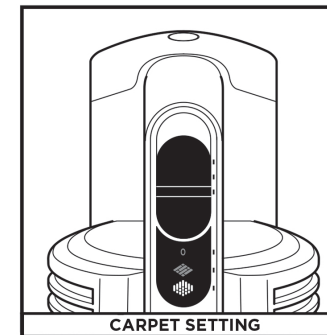
SETTINGS



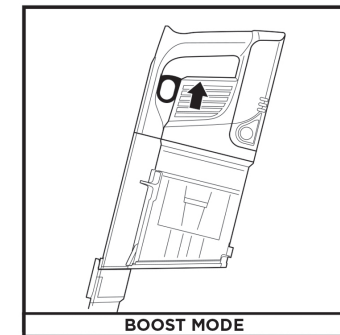
OFF
Slide switch to the bottom to turn off power. To begin vacuuming in Standard Mode, slide switch to the desired setting.



HARD FLOOR/Small Area Rugs
The brushrolls spin slowly to clean bare floors and small area rugs.

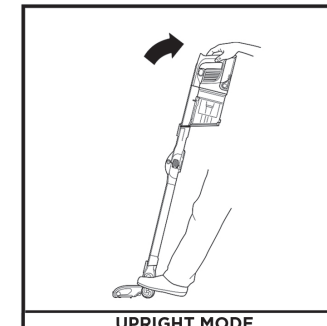


CARPET
The brushrolls spin faster to pick up debris below the surface of your carpets.



BOOST MODE
For an added boost in power, pull the Trigger on the handheld vacuum. Release it to return to normal power.

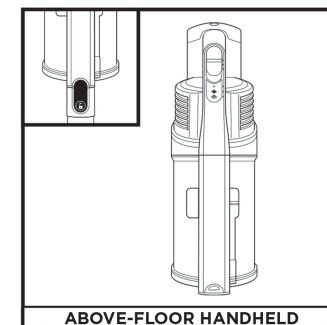
CLEANING MODES



UPRIGHT MODE

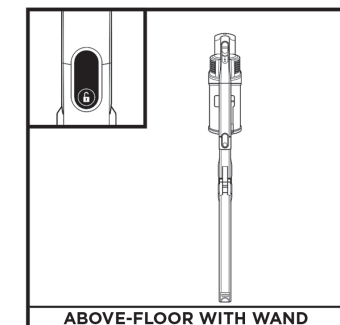
To clean floors, place foot on floor nozzle and tilt handheld vacuum back.

NOTE: Brushrolls will only engage when the handheld vacuum is tilted back.



ABOVE-FLOOR HANDHELD

Press the wand release button and lift the handheld vacuum off the wand. Attach an accessory for great cleaning on stairs, furniture, and other above-floor areas.

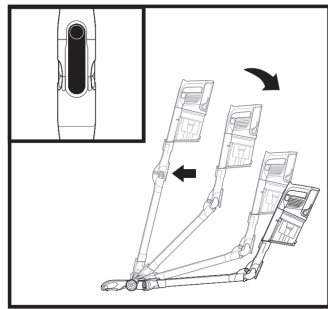


ABOVE-FLOOR WITH WAND

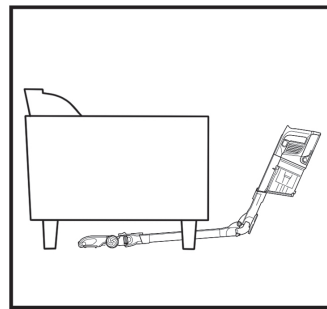
Stand the vacuum upright and press the nozzle release button located at the bottom of the wand, above the nozzle. Lift wand to detach. Great for cleaning baseboards, ceiling fans, window sills, and other hard-to-access areas.

NOTE: All accessories are compatible with both the wand and the handheld vacuum.

USING THE MULTIFLEX® WAND

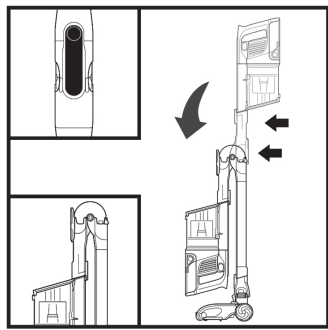


Press the unlock latch on the back of the wand, then adjust the angle.

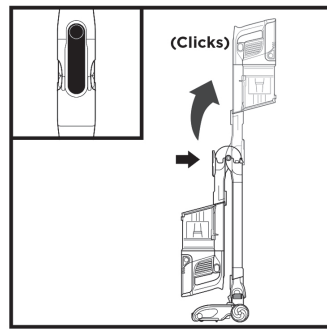


Adjust the wand to a lower angle to easily clean under furniture.

MULTIFLEX STORAGE



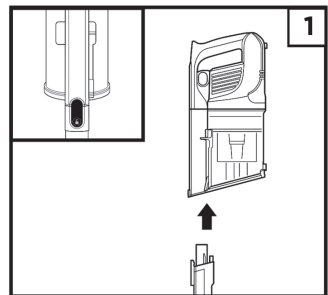
To put the vacuum in storage mode, press the unlock latch while folding the handheld vacuum forward.



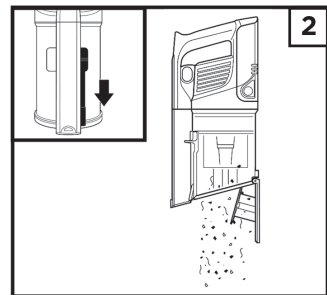
To take the vacuum out of storage mode, press the unlock latch and lift up the handheld vacuum until the wand clicks and locks into place.

MAINTAINING YOUR VACUUM

EMPTYING THE DUST CUP

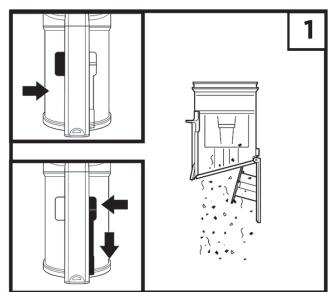


Press the wand release button to detach the handheld vacuum from the wand.

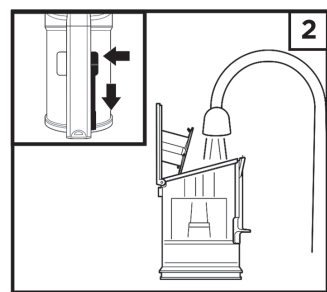


To empty the **Dust Cup** while it is attached to the handheld vacuum, position the dust cup over a trash receptacle and slide the **CleanTouch™ Dirt Ejector** slider forward.

REMOVING AND CLEANING THE DUST CUP



To remove the dust cup from the handheld vacuum, press the **CleanTouch™ Dust Cup Release** button near the handheld vacuum nozzle. Tilt the dust cup and lift off to remove. To empty dust and debris, hold the dust cup over the trash, then slide the CleanTouch Dirt Ejector slider forward.



To clean the interior of the dust cup, rinse it with water. Place it on its side with the lid open to air-dry for at least 24 hours before reinstalling.

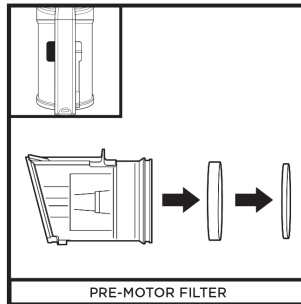
MAINTAINING YOUR VACUUM - CONT.

CLEANING THE FILTERS

Regularly rinse and replace the filters to maintain your vacuum's suction power.

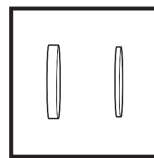
To clean filters, rinse them with water only. Allow all filters to air-dry completely for at least 24 hours before reinstalling to prevent liquid from being drawn into electric parts. Clean the pre-motor filters at least once a month and post-motor or HEPA filter at least once a year. Tap off loose dirt between washes when needed. More frequent cleaning may sometimes be necessary with heavy use.

IMPORTANT: DO NOT use soap when cleaning the filters. Use water only.

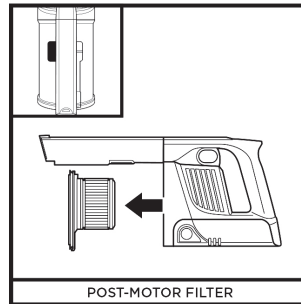


PRE-MOTOR FILTER

Press the dust cup release button and remove the dust cup. Pull the foam and felt filters out of the back of the dust cup.

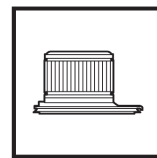


Pre-Motor Foam and Felt Filter Kit



POST-MOTOR FILTER

Remove the dust cup. Pull the post-motor filter out of the handheld vacuum.

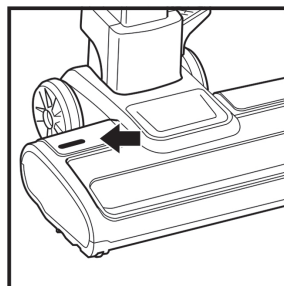
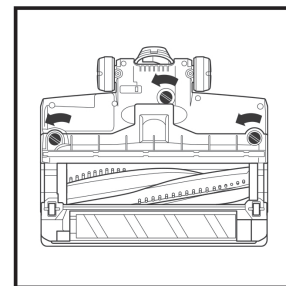


Post-Motor HEPA Filter

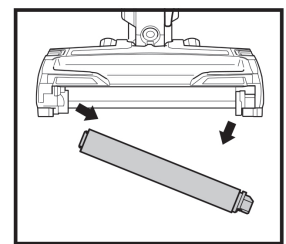
FLOOR NOZZLE

If any hair is wrapped around the brushroll, continue cleaning using the Carpet setting on a bare floor surface, a low-pile carpet, or a small area rug. If some fibers remain wrapped around the brushroll after continued use, carefully remove them. If you run over a hard or sharp object or notice a noise change while vacuuming, check for blockages or objects caught in the self-cleaning brushroll or Soft Roller.

1. Turn off the vacuum.
2. Using a coin, turn locks counterclockwise to open, then lift off cover to access the self-cleaning brushroll.
3. Clear airway of blockages.
4. Replace cover by sliding inserts into slots, then pressing down firmly on all sides before turning locks clockwise to close, until they click securely into place.
5. If light on floor nozzle is red, see Troubleshooting section for resolution. (Apply for some models)

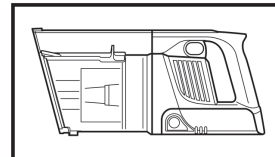


CLEANING SOFT ROLLER



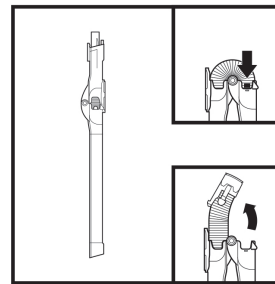
- 1 To remove Soft Roller from nozzle, pull the Soft Roller out by the tab.
- 2 Tap loose debris off the Soft Roller. Use a dry towel to wipe the Soft Roller clean, and to remove any debris caught in the teeth behind the Soft Roller.
- 3 Hand wash the Soft Roller as needed. Use only water, and let air-dry completely for at least 24 hours.
- 4 Reinsert the Soft Roller.

CHECKING FOR BLOCKAGES



Checking for Blockages in the Handheld Vacuum:

1. Turn off vacuum.
2. Remove the handheld vacuum from the wand.
3. Check all intake openings to the dust cup and remove any debris or blockage.



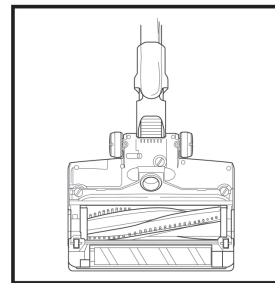
Checking for Blockages in the Wand:

Standard Wand:

1. Turn off vacuum.
2. Remove the handheld vacuum and floor nozzle.
3. Check intake openings for blockages and debris.
4. Clear away debris and blockages.

MultiFLEX® Wand:

1. Turn off vacuum.
2. Remove the handheld vacuum and floor nozzle from the wand.
3. Check the **Clog Access Hose** on the MultiFLEX section of the wand by pinching the tabs on both sides of the hose and lifting the hose out.
4. Clear any debris and blockages.



Checking for Blockages in the Floor Nozzle:

1. Turn off vacuum.
2. Detach the wand.
3. Use the edge of a coin to open the three locks on the bottom of the floor nozzle.
4. Remove the cover and tilt back the neck of the floor nozzle.
5. Check the opening and remove any debris.
6. Replace the cover by sliding the inserts into the slots, then pressing down firmly on all sides before turning the locks clockwise to close, until they click securely into place.

TROUBLESHOOTING GUIDE

WARNING: To reduce the risk of shock and unintended operation, turn off power and remove the Lithium Ion Power Pack battery before servicing.

Vacuum is not picking up debris. No suction or light suction. Nozzle light is red. (Refer to Checking for Blockages section for more information.)

- Check filters to see if they need cleaning. Follow instructions for rinsing and completely air-drying the filters before reinserting in the vacuum.
- Dust cup may be full; empty dust cup.
- Check floor nozzle for blockages; clear blockages if required.
- Remove any string, carpet fibers, or hair that may be wrapped around the brushrolls.
- Check connection between handheld vacuum and wand for blockages; clear blockages if required. If the issue persists, please contact a Service center.
- Check clog access in wand for any blockages and clear any debris.

Vacuum lifts area rugs. Vacuum is not turning on. Nozzle light is blinking red (Apply for some models).

- Make sure you are not engaging Boost mode. Take care when vacuuming area rugs or rugs with delicately sewn edges. The vacuum has overheated and turned off to cool down. Remove all blockages and wait 60 min to allow the motor to cool down.
- Turn off the unit to disengage the brushrolls and restart with the power/selector switch.

Brushrolls do not spin.

- Immediately turn off the vacuum. Remove any blockages before turning the vacuum back on. Make sure the handheld vacuum is tilted back far enough for the brushrolls to engage. If the brushrolls still do not spin, please contact Customer Service.

- If the floor nozzle has headlights and they are not illuminated, there is a connection issue between the handheld vacuum, wand, and nozzle. Try disconnecting and reattaching the pieces. If the headlights still do not illuminate, please contact a Service center.

Vacuum turns off on its own.

There are several possible reasons for the vacuum turning off on its own, including blockages, battery issues, and overheating. If vacuum turns off on its own, perform the following steps:

1. Turn on the vacuum and check the battery indicator lights located on the handheld vacuum. If recharging is needed, make sure the power/selector switch on the vacuum is set to the Off position before connecting the charger.
2. Empty dust cup and clean filters (See Emptying the Dust Cup and Cleaning the Filters sections).
3. Check wand, accessories, and inlet openings and remove any blockages.
4. Allow unit and battery to cool for at least 45 minutes, until they return to room temperature.
5. Restart with power/selector switch.

NOTE: If vacuum still does not operate properly, contact a Service center.

Battery Indicator Lights on handheld vacuum are flashing.

- Bottom LED light is flashing (Fig. A): Battery needs to be charged.
- Top and bottom LED lights are flashing (Fig. B): Battery temperature is not optimal, so charging is temporarily paused. Leave battery plugged in and charging will resume soon.
- If top 2 or bottom 2 LED lights are flashing (Fig. C, Fig. D), call a service center.



Fig. A



Fig. B



Fig. C



Fig. D

NOTE:

In order to ensure the highest possible standard for refurbished items, all units are thoroughly inspected as part of the process.

For this item, water may be used during the refurbishing process and so; you may notice some condensation in the water reservoir.

It is recommended to rinse the water reservoir with fresh water prior to its first use.

804106410A

PRINTED IN MEXICO Elbrd: Y.T. REV2: 07-22-2022_TAB
OBPN: IZ400_Series_IB_MP_Mv9_200803 MODEL: IZ440H_B



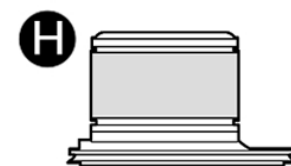
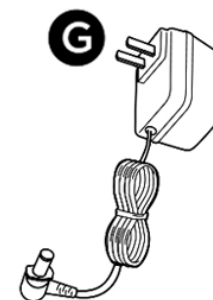
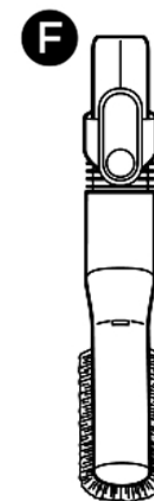
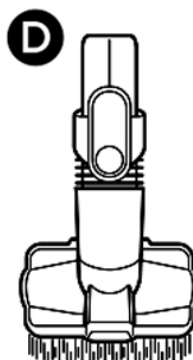
Please be sure to read the enclosed Shark® Owner's Guide prior to using your unit.

Shark

QUICK START GUIDE

WHAT'S INSIDE

- A** Handheld Vacuum
- B** Motorized Floor Nozzle
- C** MultiFLEX® Wand
- D** Pet Multi-Tool
- E** Crevice Tool
- F** Anti-Allergen Dusting Brush
- G** Li-Ion Charger
- H** HEPA Post-Motor Filter (Pre-Installed)



NOTE: The images shown here are for illustrative purpose only and may vary.



8 0 4 0 0 6 4 1 1

PRINTED IN MEXICO

Elbrd: Y.T.

OBPN: BxFlp

SC: 03-05-2021_.5P

MODEL: IZ462H_B