

# Shark VACMOP™ PRO

## Cordless Hard Floor System

### OWNER'S GUIDE

It's important to read this manual prior to using your new product for the first time.



804109925A

## IMPORTANT SAFETY INSTRUCTIONS

PLEASE READ ALL INSTRUCTIONS BEFORE USING THIS PRODUCT.

If the charging cord plug does not fit fully into the outlet, reverse the plug. If it still does not fit, contact a qualified electrician. DO NOT force into outlet or try to modify to fit.

### WARNING

To reduce the risk of fire, electric shock, injury, or property damage:

When using an electrical appliance, basic precautions should always be followed, including the following:

**THIS PRODUCT CONTAINS ELECTRICAL CONNECTIONS:**

- Use only as described in this manual. **DO NOT** use the VACMOP™ for any purpose other than those described in this manual.
- These components contain electrical connections, electrical wiring, and moving parts that potentially present risk to the user.
- Before each use, carefully inspect all parts for any damage. If a part is damaged, discontinue use.
- Use only identical replacement parts.
- This VACMOP contains no serviceable parts.
- DO NOT** immerse or spray water on the body of the VACMOP. To clean the surface, wipe with a dry cloth.
- Keep the appliance and its charging cord out of reach of children. **DO NOT** allow the appliance to be used by children. Do not allow to be used as a toy. Close supervision is necessary when used near children.

#### GENERAL USE

- This appliance can be used by persons with reduced physical, sensory or mental capabilities or lack of experience and knowledge if they have been given supervision or instruction concerning use of the appliance in a safe way and understand the hazards involved. Cleaning and user maintenance shall not be made by children. Always turn off the VACMOP before connecting or disconnecting any current carrying hoses, chargers, batteries, or other electrical or mechanical parts.
- DO NOT** handle plug or VACMOP with wet hands.
- DO NOT** use without VACMOP disposable pad attached.
- Only use Shark® branded VACMOP disposable pads.
- DO NOT** put any objects into VACMOP base. **DO NOT** use with any opening blocked; keep free of dust, lint, hair, and anything that may reduce airflow.
- DO NOT** use if VACMOP base airflow is restricted. If the air paths or the VACMOP base become blocked, turn the VACMOP off. Remove all obstructions before you turn on the unit again.
- Keep all VACMOP base openings away from hair, face, fingers, uncovered feet, or loose clothing.
- DO NOT** use if VACMOP is not working as it should, or has been dropped, damaged, left outdoors, or dropped into water.
- Use extra care when cleaning on stairs.
- DO NOT** place VACMOP on unstable surfaces such as chairs or tables.
- DO NOT** use to pick up:
  - Large quantities of dust (including drywall, fireplace ash, or embers).
  - Smoking or burning objects (hot coals, cigarette butts, or matches)
  - Flammable or combustible materials (lighter fluid, gasoline, or kerosene)
  - Toxic materials (chlorine bleach, ammonia, or drain cleaner)

- DO NOT** use in the following areas:
  - Poorly lit areas
  - Outdoor areas
  - Spaces that are enclosed and may contain explosive or toxic fumes or vapors (lighter fluid, gasoline, kerosene, paint, paint thinners, mothproofing substances, or flammable dust)
- Release all operational triggers on the VACMOP before plugging in or unplugging the charger.
- Release all operational triggers on the VACMOP before any adjustment, cleaning, maintenance or troubleshooting.
- DO NOT** modify or attempt to repair the VACMOP or the battery yourself, except as indicated in this manual. **DO NOT** use the battery or VACMOP if it has been modified or damaged. Damaged or modified batteries may exhibit unpredictable behavior resulting in fire, explosion or risk of injury.
- Always release all operational triggers on this appliance before attaching or detaching a VACMOP disposable pad.

#### BATTERY

- The battery is the power source for the VACMOP. Carefully read and follow all charging instructions.
- To prevent unintentional starting, **DO NOT** carry the appliance with your finger on the trigger or spray button..
- Use only Shark® standard replacement charger. Use of an incorrect charger may result in no charging, and/or unsafe conditions. A charger that is suitable for one type of battery may create a risk of fire when used with another battery.
- Keep the battery away from all metal objects such as paper clips, coins, keys, nails, or screws. Shorting the battery terminals increases the risk of fire or burns.
- Under abusive conditions, liquid may be ejected from the battery. Avoid contact with this liquid, as it may cause irritation or burns. If contact occurs, flush with water. If liquid contacts eyes, seek medical help.
- Battery should not be stored at temperatures below 37.4°F (3°C) or above 104°F (40°C) to maintain long-term battery life.
- DO NOT** charge battery at temperatures below 40°F (5°C) or above 104°F (40°C). Charging improperly or at temperatures outside of the specified range may damage the battery and increase the risk of fire.
- Store the appliance indoors. **DO NOT** use or store it below 37.4°F (3°C). Ensure the appliance is at room temperature before operating.
- DO NOT** expose the battery to fire or temperatures above 265°F (130°C) as it may cause explosion.
- Not for wet pickup.

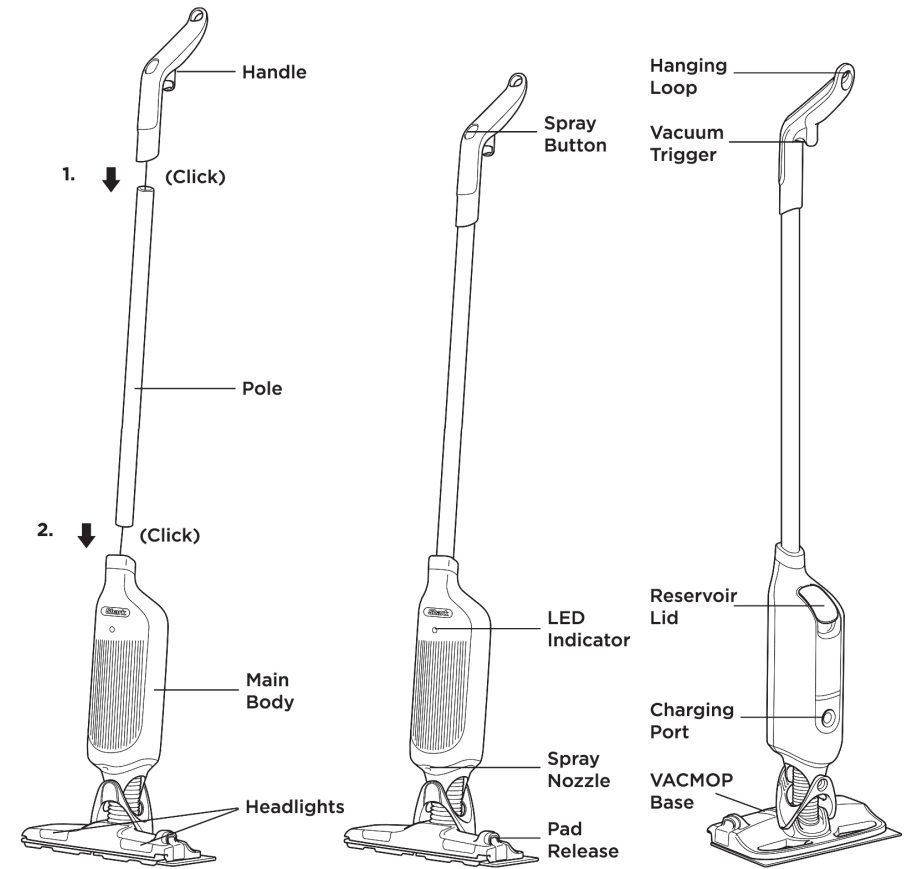
#### TECHNICAL SPECIFICATIONS

Voltage: 10.8V

### ASSEMBLY

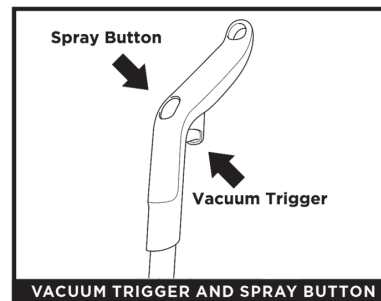
Your VACMOP™ unit comes partially assembled with a cord connecting the parts. All versions assemble the same way. This appliance is for Household use only.

- Align and insert the **Handle** into the top of the **Pole**. You will feel it click in place.
- Align and insert the pole into the **Main Body**. You will feel it click in place.s. All versions assemble the same way. This appliance is for Household use only.



**NOTE:** Accessories may vary depending on the model. Refer to quick guide, if available. The images shown here are for illustrative purposes only and may be subject to change.

### CONTROLS



VACUUM TRIGGER AND SPRAY BUTTON

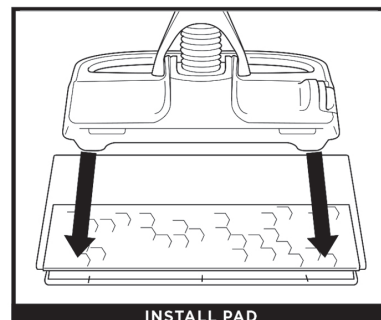
#### Spray Button

Press and hold the spray button on top of the handle to dispense cleaning solution through the spray nozzle.

#### Vacuum Trigger

To vacuum, pull the trigger and hold it in.

### ATTACHING AND REMOVING PADS



INSTALL PAD

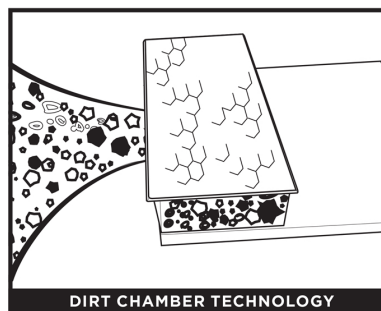
Place the VACMOP™ Disposable Pad on the floor with the scrubbing strip down. Line up the front edge of the VACMOP into the plastic bumper on the pad. Holding the handle, press the VACMOP base down until the pad clicks into place.



PAD DISPOSAL

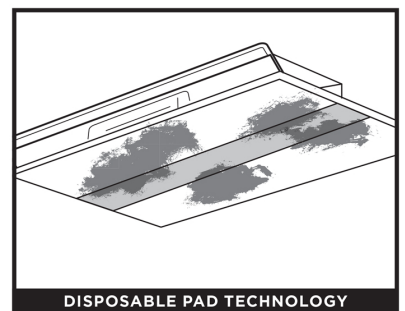
Dispose of dirty pads by releasing them directly into the trash. To detach the pad, press the release button on the side of the VACMOP base.

### DISPOSABLE PAD FUNCTIONALITY



DIRT CHAMBER TECHNOLOGY

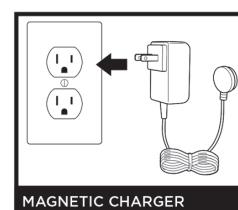
The dirt chamber collects and locks away dirt and debris when you vacuum.



DISPOSABLE PAD TECHNOLOGY

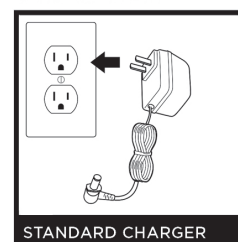
The disposable pad's fibers absorb messes as you mop.

### CHARGING THE LI-ION BATTERY



MAGNETIC CHARGER

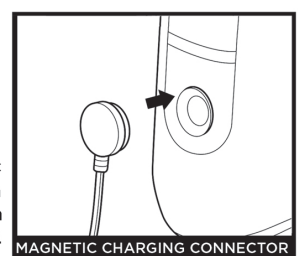
Plug charger into an electrical outlet.



STANDARD CHARGER

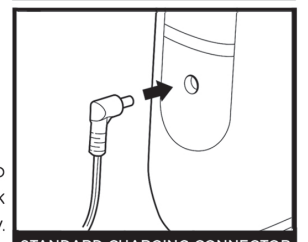
**NOTE:** Your unit may come with one of the two chargers.

Connect the magnetic charger to the port on the back of the main body.



MAGNETIC CHARGING CONNECTOR

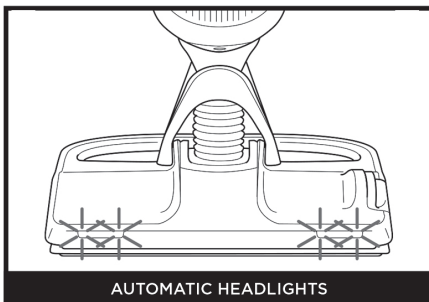
Plug the charger into the port on the back of the main body.



STANDARD CHARGING CONNECTOR

SAVE THESE INSTRUCTIONS

## HEADLIGHTS



When the VACMOP™ is in use, the motion sensor will automatically activate the headlights. After 10 seconds of inactivity, the headlights will turn off.

**NOTE:** Headlights included depending on model

AUTOMATIC HEADLIGHTS

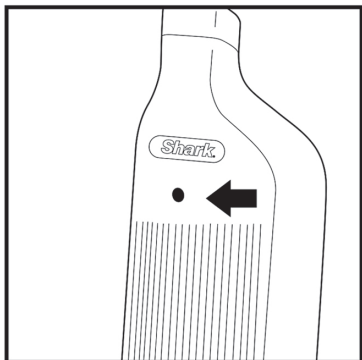
## LI-ION BATTERY

Prior to first use, charge completely. A full charge takes approximately 3.5 hours.

## BATTERY RUNTIME

The Shark VACMOP is designed to handle anything from quick pickups to whole cleaning sessions—just charge it between uses. If it's used one-off everyday messes or for more mopping than vacuuming, it will last longer on one charge. If you're continuously vacuuming, a full charge will last up to 13 minutes.

## LED BATTERY POWER AND CHARGING INDICATOR



### Indicator LED

#### IN USE:

**Normal Operation** - Solid green or white\*

**Low Battery** - Blinking green or white\*

**Very Low Battery** - Blinking red

**Out of battery** - Rapid blinking red

#### CHARGING:

**Battery Charging** - Pulsing green or white\*

**Full Charge** - Solid green or white\* (will turn off after 5 minutes)

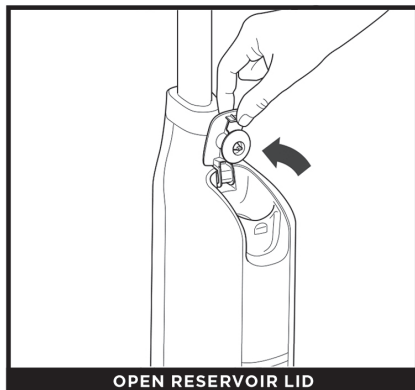
\*The color of the light may vary depending on the model.

## RECYCLING THE LI-ION BATTERY

When the Shark® Li-Ion battery needs to be replaced, dispose of it or recycle it in accordance with local ordinances or regulations. In some areas, it is illegal to place spent lithium-ion batteries in the trash or in a municipal solid waste stream. Return spent batteries to an authorized recycling center or to the retailer for recycling. Contact your local recycling center for information on where to drop off the spent battery.

**NOTE:** The Shark battery, like all lithium-ion batteries, will naturally decrease in capacity over time from the 100% capacity of a new battery.

## FILLING THE RESERVOIR



OPEN RESERVOIR LID

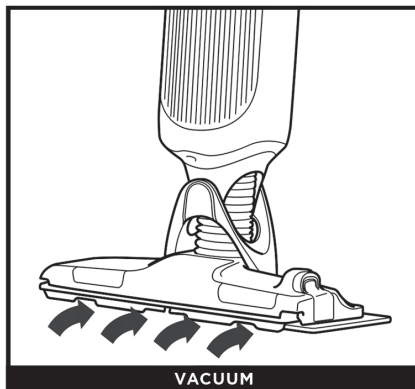


FILL WITH CLEANER

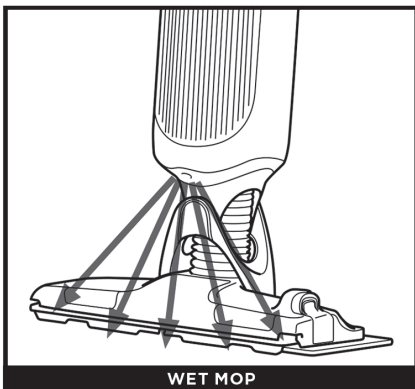
Lift the reservoir lid and press it up until it clicks into the open locked position. Carefully pour cleaner into the reservoir, up to the MAX line. When finished, press the lid closed.

**NOTE:** Before using your unit for the first time, carefully add a bottle of cleaner into the reservoir.

## CLEANING MODES



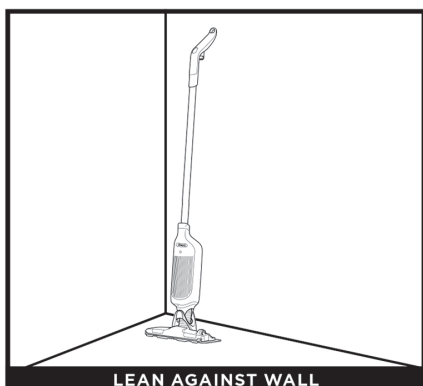
VACUUM



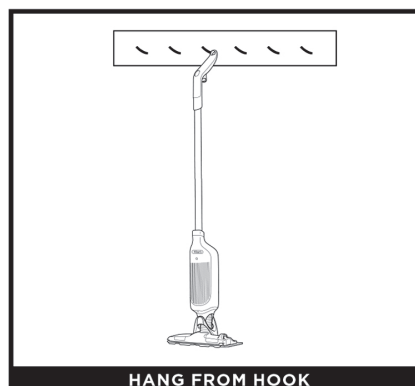
WET MOP

For best results, first use the vacuum to remove debris, then spray the cleaner to wet mop.

## STORAGE



LEAN AGAINST WALL



HANG FROM HOOK

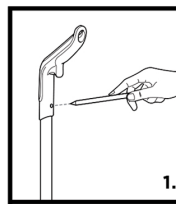
After wet cleaning, remove the pad from the VACMOP™ base before storing the unit.

To store the unit, stand it upright and lean the back of the non-slip handle against a wall.

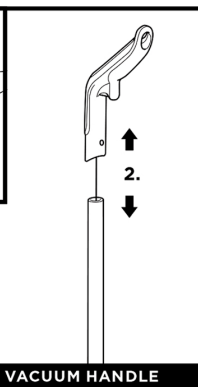
To hang the unit from a nail or wall hook (not included) align the opening at the end of the handle over the hook or nail.

## DISASSEMBLY

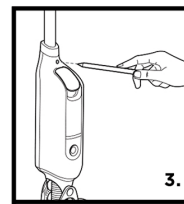
**NOTE:** Once the unit is assembled, do not take it apart, unless for repacking or shipping.



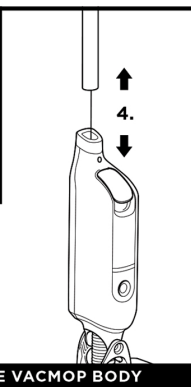
1.



2.



3.



4.

DISASSEMBLE VACUUM HANDLE

DISASSEMBLE VACMOP BODY

1. Press in the snap clip with a small tool (screwdriver, pen, etc.)

2. While pressing down on the top snap clip, pull the handle out of the pole.

3. Next, press in the snap clip on the VACMOP body with a small tool.

4. While pressing down on the bottom snap clip, pull the pole out of the VACMOP body.

## MAINTAINING YOUR VACUUM

### TROUBLESHOOTING

**VACMOP™ is not picking up debris. No suction or light suction.**

- VACMOP Disposable Pad may not be securely attached. Reattach the pad.
- VACMOP Disposable Pad may be full of debris and need to be replaced.
- Battery charge may be low. Recharge the battery completely.

**The unit turns off on its own. Sprayer is not spraying.**

- Battery charge may be low. Recharge the battery completely.

**Streaks appear on floor after wet mopping.**

- Shark VACMOP Multi-Surface Cleaner has been specially formulated provide a residue-free, streak-free finish when used with the Shark VACMOP. Using other cleaning solutions may result in streaking and residue. If you find residue or streaking on your floors while using our cleaner, it may be due to one of the following:
  - Your floor might not be fully dry yet. If you see streaks or suds while cleaning, just wait 5-10 minutes, and you should see them evaporate, leaving an even finish on your floors.
  - Your Floors might have built-up grime dirt. The first few times you use your VACMOP, it will remove stuck-on dirt and debris that have built up over time. After a few cleaning sessions, the streaking and residue will subside.
  - You may be using too much solution. If you continue to see streaking, reduce the amount of cleaning solution you use. Too much solution can cause stickiness and residue if not properly cleaned off of your floor.
  - The pad might need to be replaced. If you are cleaning multiple times with the same pad, you may be reintroducing dirt onto the floors. Replace your pad, and consider starting each mopping session with a fresh pad to alleviate the issue.

### FREQUENTLY ASKED QUESTIONS

**When should I replace my VACMOP Disposable Pad?**

- Replace the pad when it becomes fully saturated, its dust bin is full, it is noticeably dirty, or if the VACMOP is showing signs of reduced suction power.

**Where can I use my VACMOP?**

- VACMOP can safely be used on all sealed hard floors—stone, hardwood, vinyl, laminate, tile, marble, and linoleum.

**PLEASE READ CAREFULLY AND KEEP FOR FUTURE REFERENCE.**

This Owner's Guide is designed to help you keep your VACMOP running at peak performance.

### BATTERY REMOVAL AND DISPOSAL

**This product uses a lithium-ion rechargeable and recyclable battery. When the battery no longer holds a charge, it should be removed from the VACMOP™ and recycled. DO NOT incinerate or compost the battery.**

When your lithium-ion battery needs to be replaced, dispose of it or recycle it in accordance with local ordinances or regulations. In some areas, it is illegal to place spent lithium-ion batteries in the trash or in a municipal solid waste stream. Return spent battery to an authorized recycling center or to retailer for recycling. Contact your local recycling center for information on where to drop off the spent battery.

The RBRC™ (Rechargeable Battery Recycling Corporation) seal on the lithium-ion battery indicates that the costs to recycle the battery at the end of its useful life have already been paid by SharkNinja. In some areas, it is illegal to place spent lithium-ion batteries in the trash or municipal solid waste stream and the RBRC program provides an environmentally conscious alternative.

RBRC, in cooperation with SharkNinja and other battery users, has established programs in the United States and Canada to facilitate the collection of spent lithium-ion batteries. Help protect our environment and conserve natural resources by returning the spent lithium-ion battery to an authorized SharkNinja service center or to your local retailer for recycling.



804109925A

PRINTED IN MEXICO Elbrd: Y.T. SC: 01-23-2021\_TAB  
OBPN: QM\_VM250Series\_IB\_REV\_Mv12  
MODEL: QM250\_B Add: VM251 / VM252  
Rev 1\_10-08-2021\_J.E. / Rev 2\_10-14-2021\_M.C.  
Rev 3\_NWCHRGR\_02-01-2022\_M.C

