



Rocket DuoClean with Self-Cleaning
Brushroll Corded Stick Vac

DUOclean

It's important to read this manual prior to using your new product for the first time.

IMPORTANT SAFETY INSTRUCTIONS

HOUSEHOLD USE ONLY – READ ALL INSTRUCTIONS BEFORE USE

To reduce the risk of electric shock, this vacuum cleaner has a polarized plug (one blade is wider than the other). As a safety feature, this plug will fit into a polarized outlet only one way. If the plug does not fit fully into the outlet, reverse the plug. If it still does not fit, contact a qualified electrician. DO NOT force into outlet or try to modify to fit.

⚠ WARNING

TO REDUCE THE RISK OF FIRE, ELECTRIC SHOCK OR INJURY:

GENERAL WARNINGS

When using an electrical appliance, basic precautions should always be followed, including the following:

- Your vacuum cleaner may consist of a motorized nozzle, wand, hose, and/or vacuum pod. This device contains electrical connections, electrical wiring, and moving parts that potentially present risk to the user.
- Use only identical replacement parts.
- Carefully observe and follow the instructions provided below to avoid improper use of the appliance. DO NOT use the vacuum for any purpose other than those described in this manual.
- Before use, carefully inspect all parts for any damage. DO NOT use if any parts are damaged.
- The use of an extension cord is NOT recommended.
- This vacuum cleaner contains no serviceable parts.

USE WARNINGS

- This appliance can be used by persons with reduced physical, sensory or mental capabilities or lack of experience and knowledge if they have been given supervision or instruction concerning use of the appliance in a safe way and understand the hazards involved. Cleaning and user maintenance shall not be made by children. Keep the appliance and its cord out of reach of children. DO NOT allow the appliance to be used by children. DO NOT allow to be used as a toy. Close supervision is necessary when used near children.
- Always turn off the vacuum cleaner before connecting or disconnecting any motorized nozzles or other accessories.
- DO NOT handle plug or vacuum cleaner with wet hands.
- DO NOT use without filters in place.
- Only use filters and accessories provided. Failure to do so will also avoid the warranty.
- DO NOT damage the power cord:
 - DO NOT pull or carry vacuum cleaner by the cord or use the cord as a handle.
 - DO NOT unplug by pulling on cord. Grasp the plug, not the cord.
 - DO NOT run the vacuum cleaner over the power cord, close a door on the cord, pull the cord around sharp corners, or leave the cord near heated surfaces.
- DO NOT put any objects into nozzle or accessory openings. DO NOT use with any opening blocked; keep free of dust, lint, hair, and anything that may reduce airflow.
- DO NOT use if nozzle or accessory airflow is restricted. If the air paths or the motorized floor nozzle become blocked, turn the vacuum cleaner off and unplug from electrical outlet. Remove all obstructions before you plug in and turn on the unit again.
- Keep nozzle and all vacuum openings away from hair, face, fingers, uncovered feet, or loose clothing.

- DO NOT use if vacuum cleaner is not working as it should, or has been dropped, damaged, left outdoors, or dropped into water.
- Use extra care when cleaning on stairs.
- DO NOT leave the vacuum cleaner unattended while plugged in.
- When powered on, keep the vacuum cleaner moving over the carpet surface at all times to avoid damaging the carpet fibers.
- DO NOT place vacuum cleaner on unstable surfaces such as chairs or tables.
- Your Shark® vacuum may not be designed to stand up on its own. When taking a break from cleaning, you may need to lean it against furniture or a wall, or lay it flat on the floor. Using the vacuum for an application where the unit lacks stability may result in personal injury.
- DO NOT use to pick up:
 - Liquids
 - Large objects
 - Hard or sharp objects (glass, nails, screws, or coins)
 - Large quantities of dust (drywall dust, fireplace ash, or embers). DO NOT use as an attachment to power tools for dust collection.
 - Smoking or burning objects (hot coals, cigarette butts, or matches)
 - Flammable or combustible materials (lighter fluid, gasoline, or kerosene)
 - Toxic materials (chlorine bleach, ammonia, or drain cleaner)
- DO NOT use in the following areas:
 - Poorly lit areas
 - Wet or damp surfaces
 - Outdoor areas
 - Spaces that are enclosed and may contain explosive or toxic fumes or vapors (lighter fluid, gasoline, kerosene, paint, paint thinners, mothproofing substances, or flammable dust)
- Turn off all controls before plugging in or unplugging the vacuum.
- Unplug from electrical outlet when not in use and before any maintenance or cleaning.
- Hand wash with water only. Washing with cleaning chemicals could damage the unit.
- During cleaning or routine maintenance, DO NOT cut anything other than hair, fibers, or string wrapped around the brushroll.
- Allow all filters to air-dry completely before replacing in the vacuum to prevent liquid from being drawn into electric parts.
- Make sure the dust cup and all filters are in place after routine maintenance.
- If provided, secure the power cord around the two cord hooks during storage.

TECHNICAL SPECIFICATIONS

Voltage: 120V, 60Hz
Amps: 4.2A

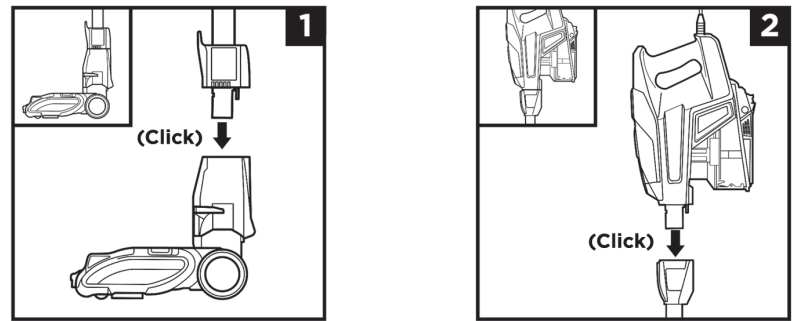
SAVE THESE INSTRUCTIONS

NOTE: Accessories may vary depending on the model.

Refer to quick guide, if available.

The images shown here are for illustrative purposes only and may be subject to change.

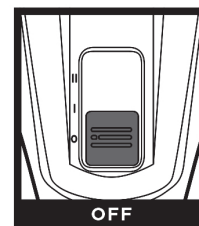
ASSEMBLY



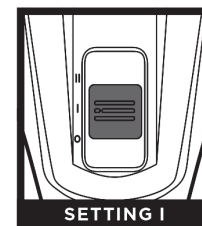
- Insert Wand into Floor Nozzle.
- Insert Handheld Vacuum into wand.

Ensure all connections click securely into place.

SETTINGS



Slide switch to the bottom to turn off power. To begin vacuuming, slide switch to the appropriate setting.



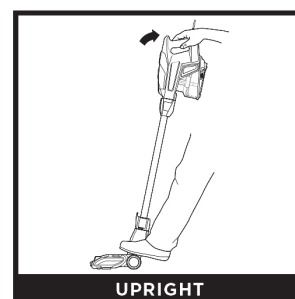
Bare Floor/Small Area Rugs
The brushroll spins slowly to clean bare floors and delicate area rugs.



Carpet
The brushroll spins faster to pick up debris below the surface of your carpet.

NOTE: For deep cleaning per ASTM F 608 (embedded dirt in carpets) please use setting II, Carpet.
NOTE: Select Carpet for stuck-on dust and debris.

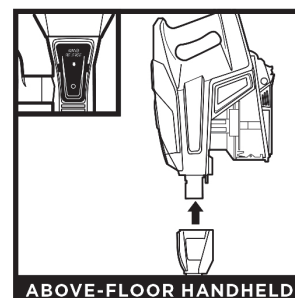
CLEANING MODES



To clean floors, place foot on floor nozzle and tilt handheld vacuum back.

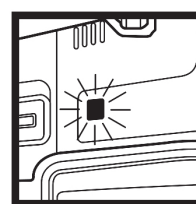


Detach the wand for more reach to clean baseboards, ceiling fans, window sills, and other hard-to-access areas. Stand the vacuum upright, then step on the foot pedal on the left side of the floor nozzle and pull the wand up to disconnect it.



Press the Wand Release button to lift the handheld vacuum off the wand. Attach the handheld vacuum to an accessory or directly to the nozzle. Great for cleaning stairs and furniture.

NOTE: All accessories are compatible with both the wand and the handheld vacuum.



WHAT DOES THE BRUSHROLL INDICATOR LIGHT MEAN?

Solid Green

The brushroll is on and working as it should.

Solid Red

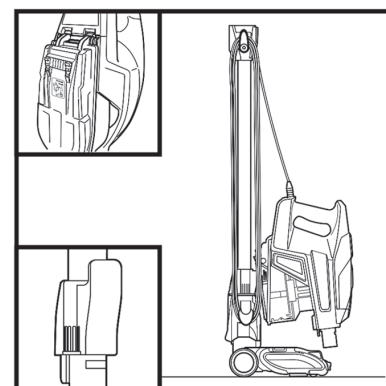
There is a jam in the brushroll area. Turn your vacuum off and remove the blockage.

No Light: The vacuum is off or in the upright position.

Flashing Red: The vacuum has overheated. See Troubleshooting section.

STORAGE

ONBOARD HOOK



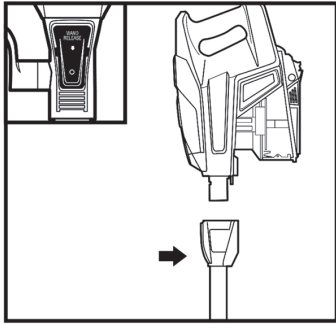
Press the wand release button on the top of the wand to detach the handheld vacuum. Align the catch on the bottom of the handheld vacuum with the storage hook on the wand. Slide the handheld vacuum down so the catch hangs from the storage hook. Wrap the cord around the two cord hooks, starting with the top hook, leaving a little slack.

MAINTENANCE

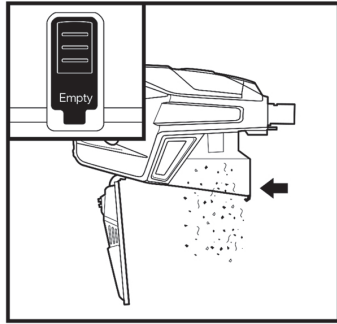
IMPORTANT: Unplug the vacuum before performing any maintenance.

EMPTYING THE DUST CUP

The dust cup needs to be emptied each time you vacuum and periodically during cleaning, when debris in the dust cup reaches the MAX fill line.

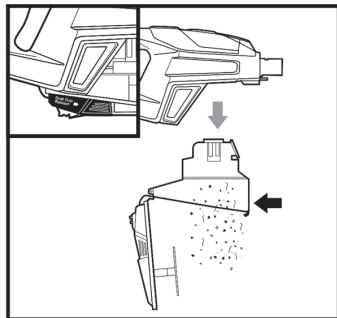


Press the wand release button and lift the handheld vacuum off the wand.



With the dust cup attached to the handheld vacuum, press the **Empty** button on the front of the dust cup.

OR

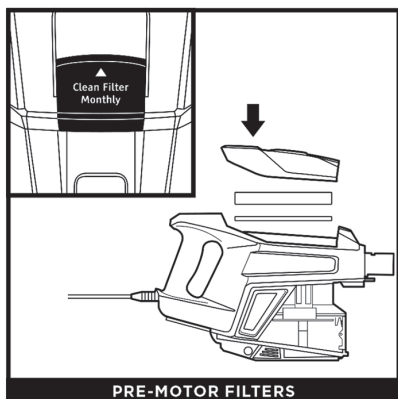


To remove the dust cup from the handheld vacuum, squeeze the two **Dust Cup Release** buttons at the same time and pull out the dust cup. Press the Empty button on the front of the dust cup.

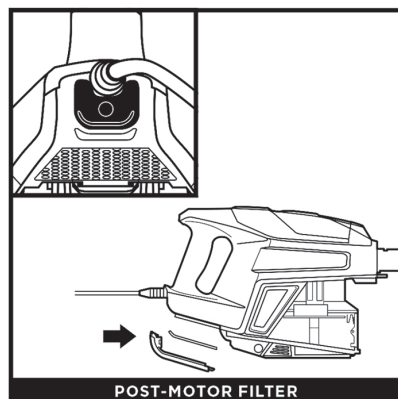
CLEANING FILTERS

Perform regular maintenance on the filters to keep your vacuum's suction power optimal.

IMPORTANT: To prevent damage, rinse filters with water **ONLY**. **DO NOT** use soap. Allow filters to air-dry for at least 24 hours before reinstalling them to prevent liquid from being drawn into electric parts.



Wash the pre-motor filters once a month.

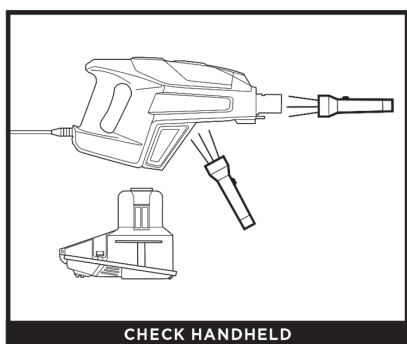


Wash the post-motor filter every 9 months.

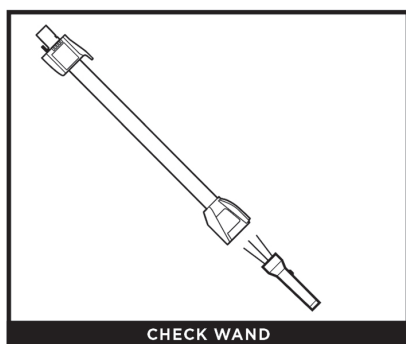
REPLACEMENT FILTERS

NOTE: The pre-motor filters should be replaced every 2.5 years. The post-motor filter should be replaced every 3 years.

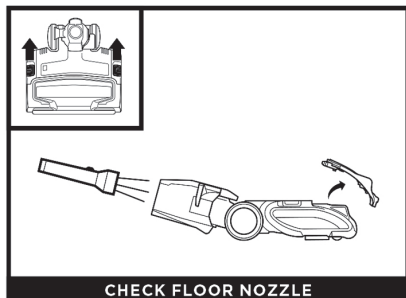
CHECKING FOR BLOCKAGES



Remove the wand from the handheld vacuum and check all dust cup intake openings.



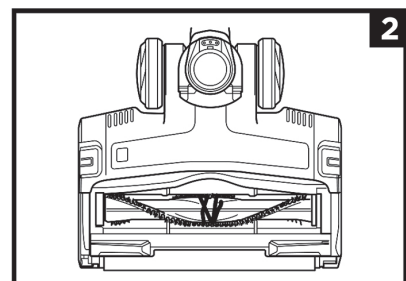
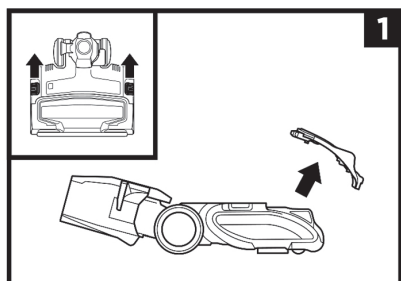
Detach the wand and check it for blockages.



Detach the wand. To open the brushroll garage, slide both release buttons on the floor nozzle away from you, toward the back of the nozzle, then lift off the lid. Tilt back the neck of the nozzle and check openings for blockages. To close the brushroll garage, insert the 3 tabs on top of lid into the 3 slots in the nozzle, then push down firmly on both sides of the lid until it clicks securely into place.

NOTE: If the brushroll indicator light is green and the headlights are flashing, check again that both sides of the lid are locked in place.

NOZZLE MAINTENANCE



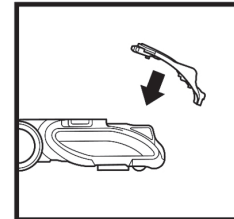
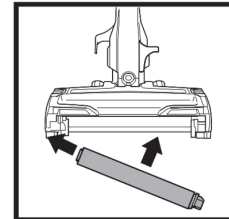
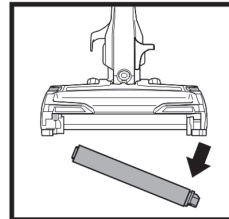
NOZZLE MAINTENANCE - Cont.

CLEANING THE SELF-CLEANING BRUSHROLL

If any hair is wrapped around the brushroll, continue cleaning, using Carpet mode on a bare floor surface, a low-pile carpet, or a small area rug. This will allow the self-cleaning brushroll to remove the hair wrap and send it to the dust cup.

If some fibers remain wrapped around the brushroll after continued use, open the brushroll garage to remove them.

- To open the brushroll garage, slide both release buttons on the floor nozzle away from you, toward the back of the nozzle, then lift off the lid.
- Clear away any objects or debris.
- To close the brushroll garage, insert the 3 tabs on top of lid into the 3 slots in the nozzle, then push down on both sides of lid until it clicks securely into place. **If Brushroll Indicator Light is green and headlights are flashing, check again that both sides of lid are locked in place.**



CLEANING THE SOFT ROLLER

- To remove Soft Roller from nozzle, first open the brushroll garage, then pull the Soft Roller out by the tab.
- Tap loose debris off the Soft Roller. Use a dry towel to wipe the Soft Roller clean, and to remove any debris caught in the teeth behind the Soft Roller.
- Hand wash the Soft Roller as needed. Use only water, and let air-dry completely for at least 24 hours.
- Reinsert the Soft Roller and close the brushroll garage by inserting the 3 tabs on top of the lid into the 3 slots in the nozzle. Then push down on both sides of the lid until it clicks securely into place. **If Brushroll Indicator Light is green and headlights are flashing, check again that both sides of the lid are locked in place.**

NOTE: With normal use, you may need to perform routine maintenance of your Soft Roller.

TROUBLESHOOTING

Vacuum is not picking up debris. No suction or light suction. (Refer to Maintenance section for more information.)

- Check filters to see if they need cleaning. Follow instructions for rinsing and completely air-drying the filters before reinstalling in the vacuum.
- Dust cup may be full; empty dust cup.
- Check floor nozzle and wand for blockages; clear blockages if required.
- Remove any string, carpet fibers, or hair that may be wrapped around the brushroll or Soft Roller.
- Ensure the brushroll garage is locked in place by pushing down on both sides of the lid until it clicks securely into place.

Vacuum lifts area rugs.

- Suction is powerful. Take care when vacuuming area rugs or rugs with delicately sewn edges.
- Turn off the unit to disengage the brushrolls. To restart, slide the power switch to setting I, Bare Floor/ Small Area Rugs.

Brushrolls do not spin.

- If the Brushroll Indicator Light is solid red, immediately turn off and unplug the vacuum. Disconnect wand from floor nozzle and clear any blockages from the air path in the nozzle and from the brushrolls. Reconnect wand, plug in vacuum, and turn on power.
- If the Brushroll Indicator Light is solid green and the LED headlights are flashing, the brushroll garage lid is not completely closed. Press down firmly on all sides of the lid until it clicks into place.
- If Brushroll Indicator Light on the floor nozzle is green, the blockage has been successfully cleared and the brushroll garage lid is completely closed. If the light is still red, please contact a service center.

Vacuum turns off on its own or if the indicator light flashes red.

This vacuum is equipped with a motor-protective thermostat so it will shut off if it overheats. Should this occur, perform the following steps to restart the motor-protective thermostat:

- Turn vacuum off and unplug it.
- Empty dust cup and clean filters (see Maintenance section).
- Separate the floor nozzle from the wand. Remove the brushroll garage lid to check the air path, brushroll, and Soft Roller for blockages.
- Check for blockages in the wand, handheld vacuum inlet openings, and accessories.
- Allow unit to cool for a minimum of 60 minutes.
- Plug in vacuum and turn it on.

For all other issues, contact a service center.



PRINTED IN MEXICO Elbrd: Y.T.
OBPN: UV480_IB_E_MP_Mv5_191011
SC: 06-19-2020_TAB MODEL: UV480_BP



Please be sure to read the enclosed Shark® Owner's Guide prior to using your vacuum.

804009841

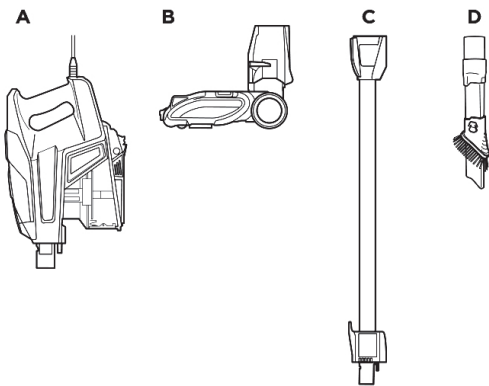
Shark® Rocket®

DuoClean® with Self-Cleaning Brushroll Corded Stick Vac

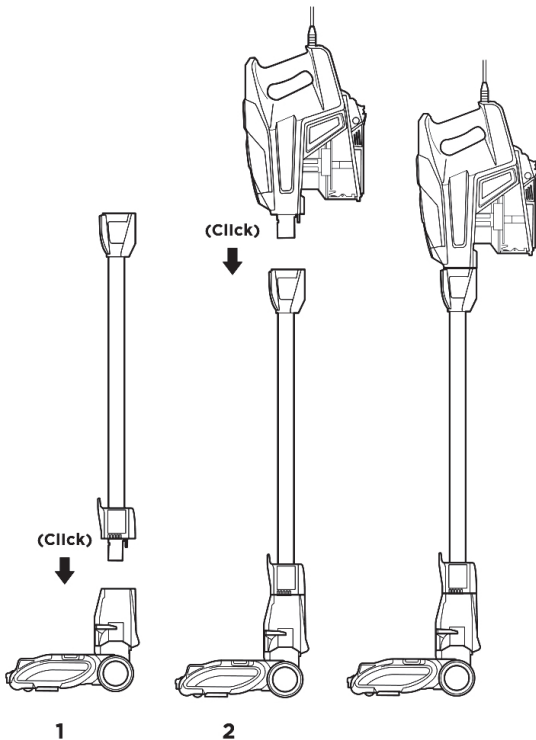
QUICK START GUIDE

WHAT'S INSIDE

- A** Handheld Vacuum
- B** Motorized Floor Nozzle
- C** Wand
- D** Duster Crevice Tool



ASSEMBLY



VERSATILE FLOOR-TO-CEILING CLEANING

Settings



OFF
Slide switch to the bottom to turn off power. To begin vacuuming, slide switch to the appropriate setting.

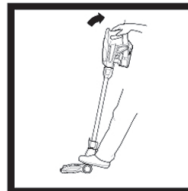
SETTING I
Bare Floor/Small Area Rugs
The brushrolls spin slowly to clean bare floors and delicate area rugs.

SETTING II
Carpet
The brushrolls spin faster to pick up debris below the surface of your carpets.

NOTE: For deep cleaning per ASTM F 608 (embedded dirt in carpets) please use Setting II, Carpet.

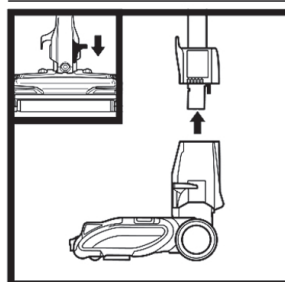
NOTE: Select Carpet for stuck-on dust and debris.

Upright Mode



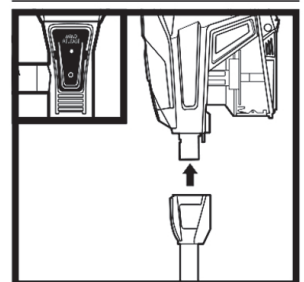
To clean floors, place foot on floor nozzle and tilt handheld vacuum back.

Above-Floor with Wand



Stand the vacuum upright. Step on the foot pedal on the floor nozzle and pull the wand up to disconnect it. Great for cleaning baseboards, ceiling fans, window sills, etc.

Above-Floor with Handheld



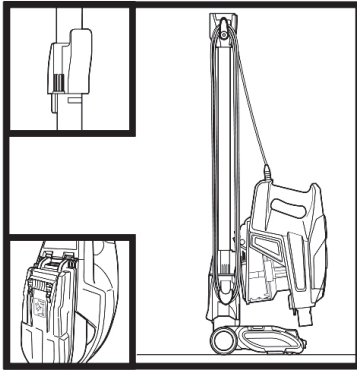
Press the **WAND RELEASE** button and lift the handheld vacuum off the wand. Great for cleaning stairs and furniture.

NOTE: Use Setting I for all above-floor accessories.

Note: The images shown here are for illustrative purpose only and may vary.

STORAGE

Onboard Hook

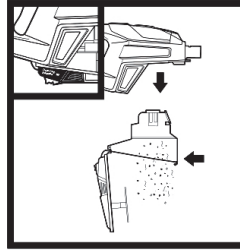


Hang the handheld vacuum on the hook on the bottom of the wand, and wrap the power cord around the cord hooks.

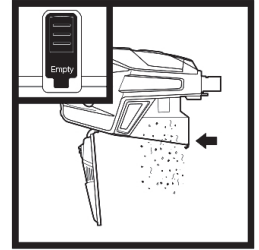
NOTE: Wrap the power cord around the top hook first, leaving a little slack.

DUST CUP

Empty dust cup every time debris reaches the MAX fill line.



To remove the dust cup from the handheld vacuum, squeeze the two Dust Cup Release buttons at the same time and pull out the dust cup. Holding the dust cup over a trash bin, press the Empty button on the front of the dust cup.

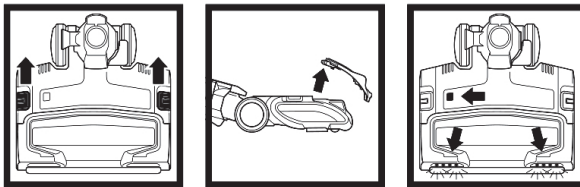


With the dust cup attached to the handheld vacuum, hold the dust cup over a trash bin and press the Empty button on the front of the dust cup.

MAINTENANCE

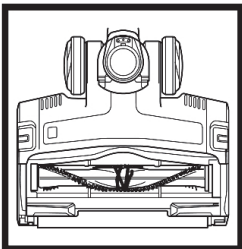
Brushroll/Soft Roller Access

1. To open the brushroll garage, slide both release buttons on the floor nozzle away from you, toward the back of the nozzle, then lift off the lid.
2. To close the brushroll garage, insert the 3 tabs on top of lid into the 3 slots in the nozzle, then push down on both sides of lid until it clicks securely into place. If Brushroll Indicator Light is green and headlights are flashing, check again that both sides of lid are locked in place.



Brushroll Maintenance

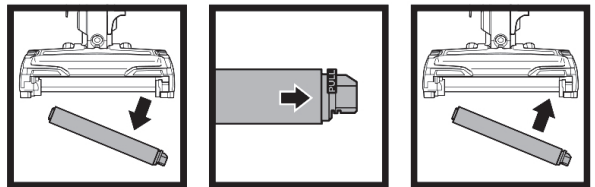
With the garage lid removed, carefully clear away any debris that may be impeding the brushroll.



NOTE: If you see any hair wrapped around the brushroll, continue cleaning, using Setting II, Carpet, on bare floors. This will allow the self-cleaning brushroll to remove the hair wrap and send it to the dust cup.

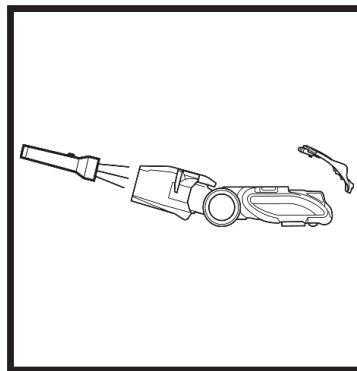
Cleaning the Soft Roller

Open the brushroll garage. Lift out the Soft Roller by pulling the tab on the right side. Clear away any debris, then slide the Soft Roller back into place.



Checking the Nozzle for Blockages

Tilt neck of nozzle back to straighten the airway, then remove any blockages.



PRINTED IN MEXICO Elbrd: Y.T.
OBPN: UV480_QSG_E_Mv3_191004
SC: 06-19-2020_1P MODEL: UV480_BP