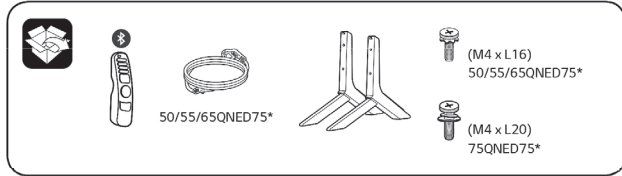




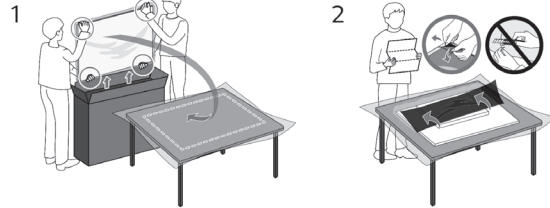
50QNE75ARA 55QNE75ARA 65QNE75ARA 75QNE75ARA
 50QNE75URA 55QNE75URA 65QNE75URA 75QNE75URA
 50QNE75SRA 55QNE75SRA 65QNE75SRA 75QNE75SRA

814000104D

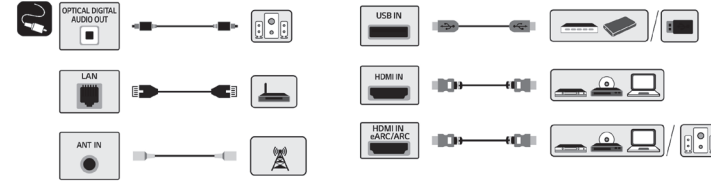
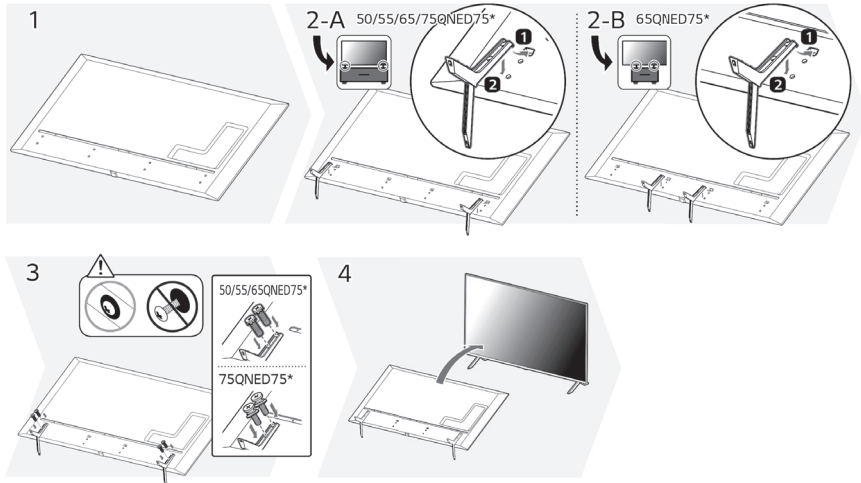
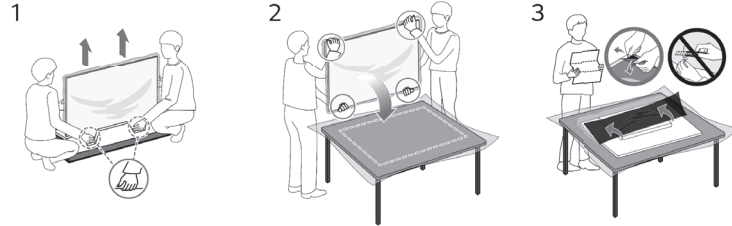


• Accessory type and quantity may vary depending on the model.

50QNE75*
55QNE75S*



55QNE75A*
55QNE75U*
65QNE75*
75QNE75*

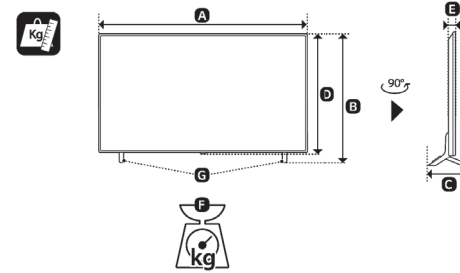


• The cables mentioned in this guide is not supplied with your unit.



(Batteries not supplied)

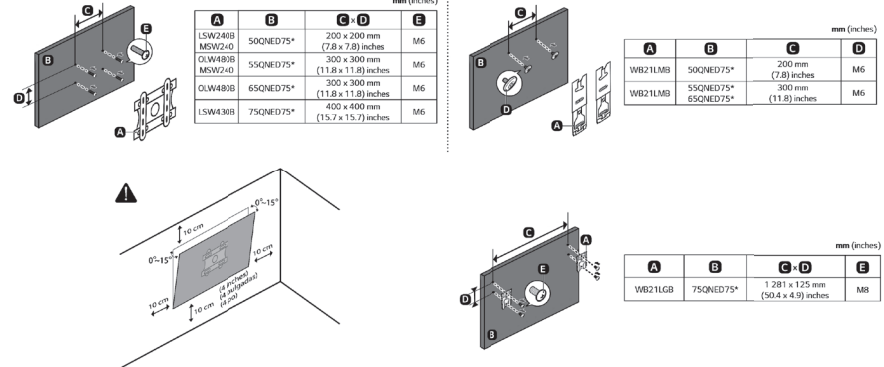
• The remote control vary depend of model: The buttons on the remote control may have a different name or location than the remote control shows in this manual.



• The image shown here is for illustrative purposes only and may be subject to change.

mm (inches)
kg (lbs)

MODELS	A	B	C	D	E	F	F+G	Power consumption
50QNE75ARA 50QNE75URA 50QNE75SRA	1 120 mm (44) inches	718 mm (28.2) inches	257 mm (10.1) inches	653 mm (25.7) inches	49.2 mm (1.9) inches	14.1 kg (31.0) lbs	13.7 kg (30.2) lbs	135 W
55QNE75ARA 55QNE75URA 55QNE75SRA	1 233 mm (48.5) inches	781 mm (30.7) inches	257 mm (10.1) inches	716 mm (28.1) inches	44.2 mm (1.7) inches	16.7 kg (36.8) lbs	16.3 kg (35.9) lbs	165 W
65QNE75ARA 65QNE75URA 65QNE75SRA	1 452 mm (57.1) inches	906 mm (35.6) inches	295 mm (11.6) inches	839 mm (33) inches	44.3 mm (1.7) inches	24.4 kg (53.7) lbs	24.0 kg (52.9) lbs	200 W
75QNE75ARA 75QNE75URA 75QNE75SRA	1 675 mm (65.9) inches	1 029 mm (40.5) inches	359 mm (14.1) inches	964 mm (37.9) inches	44.5 mm (1.7) inches	36.5 kg (80.4) lbs	35.5 kg (78.2) lbs	240 W



PRINTED IN MEXICO / Elbrd:J.E. / OBPN:N/A
 SC:12-06-2023 / 1P / MODEL: 65QNE75ARA_B