

- Caution: Risk of fire or explosion if the battery is replaced by an incorrect type.

• **Moving**

- When moving, make sure the product is turned off, unplugged, and all cables have been removed. It may take 2 or more people to carry larger TVs. Do not press or put stress on the front panel of the TV. Otherwise, this may result in product damage, fire hazard or injury.

• Keep the packing anti-moisture material or vinyl packing out of the reach of children.

• Do not allow an impact shock. any objects to fall into the product, and do not drop anything onto the screen.

• Do not press strongly upon the panel with a hand or a sharp object such as a nail, pencil, or pen, or make a scratch on it. It may cause damage to screen.

• **Cleaning**

- When cleaning, unplug the power cord and wipe gently with a soft/dry cloth. Do not spray water or other liquids directly on the TV. Do not clean your TV with chemicals including glass cleaner, any type of air freshener, insecticide, lubricants, wax (car, industrial), abrasive, thinner, benzene, alcohol etc., which can damage the product and/or its panel. Otherwise, this may result in electric shock or product damage.

804106611A

• TO PREVENT THE SPREAD OF FIRE, KEEP CANDLES OR OTHER ITEMS WITH OPEN FLAMES AWAY FROM THIS PRODUCT AT ALL TIMES.

• **Do not place the TV and/or remote control in the following environments:**

- Keep the product away from direct sunlight.
- An area with high humidity such as a bathroom
- Near any heat source such as stoves and other devices that produce heat.
- Near kitchen counters or humidifiers where they can easily be exposed to steam or oil.
- An area exposed to rain or wind.
- Do not expose to dripping or splashing and do not place objects filled with liquids, such as vases, cups, etc. on or over the apparatus (e.g., on shelves above the unit).
- Near flammable objects such as gasoline or candles, or expose the TV to direct air conditioning.
- Do not install in excessively dusty places.

Otherwise, this may result in fire, electric shock, combustion/explosion, malfunction or product deformation.

• **Ventilation**

- Install your TV where there is proper ventilation. Do not install in a confined space such as a bookcase.
- Do not install the product on a carpet or cushion.
- Do not block or cover the product with cloth or other materials while unit is plugged in.

• Take care not to touch the ventilation openings. When watching the TV for a long period, the ventilation openings may become hot.

• Protect the power cord from physical or mechanical abuse, such as being twisted, kinked, pinched, closed in a door, or walked upon. Pay particular attention to plugs, wall outlets, and the point where the cord exits the device.

• Do not move the TV whilst the Power cord is plugged in.

• Do not use a damaged or loosely fitting power cord.

• Be sure to grasp the plug when unplugging the power cord. Do not pull on the power cord to unplug the TV.

• **Disconnecting the Device from the Main Power**

- The power plug is the disconnecting device. In case of an emergency, the power plug must remain readily accessible.

• Do not let your children climb or cling onto the TV. Otherwise, the TV may fall over, which may cause serious injury.

• **Outdoor Antenna Grounding** (Can differ by country):

- If an outdoor antenna is installed, follow the precautions below. An outdoor antenna system should not be located in the vicinity of overhead power lines or other electric light or power circuits, or where it can come in contact with such power lines or circuits as death or serious injury can occur. Be sure the antenna system is grounded to provide some protection against voltage surges and built-up static charges.

Section 810 of the National Electrical Code (NEC) in the U.S.A. provides information with respect to proper grounding of the mast and supporting structure, grounding of the lead-in wire to an antenna discharge unit, size of grounding conductors, location of antenna discharge unit, connection to grounding electrodes and requirements for the grounding electrode. Antenna grounding according to the National Electrical Code, ANS/NFPA 70

• **Grounding** (Except for devices which are not grounded.)

- TV with a three-prong grounded AC plug must be connected to a three-prong grounded AC outlet. Ensure that you connect the earth ground wire to prevent possible electric shock.

• Never touch this apparatus or antenna during a lightning storm. You may be electrocuted.

• Make sure the power cord is connected securely to the TV and wall socket if not secured damage to the Plug and socket may occur and in extreme cases a fire may break out.

• Do not insert metallic or inflammable objects into the product. If a foreign object is dropped into the product, unplug the power cord and contact the customer service.

• Do not touch the end of the power cord while it is plugged in. You may be electrocuted.

• **If any of the following occur, unplug the product immediately and contact a service center.**

- The product has been damaged.
- If water or another substance enters the product (like an AC adapter, power cord, or TV).
- If you smell smoke or other odors coming from the TV
- When lightning storms or when unused for long periods of time.

Even the TV is turned off by remote control or button, AC power source is connected to the unit if not unplugged in.

• Do not use high voltage electrical equipment near the TV (e.g., a bug zapper). This may result in product malfunction.

• Do not attempt to modify this product in any way without written authorization from LG Electronics. Accidental fire or electric shock can occur. Contact your local customer service for service or repair. Unauthorized modification could void the user's authority to operate this product.

• Use only an authorized attachments / accessories approved by LG Electronics. Otherwise, this may result in fire, electric shock, malfunction, or product damage.

• Never disassemble the AC adapter or power cord. This may result in fire or electric shock.

• Handle the adapter carefully to avoid dropping or striking it. An impact could damage the adapter.

• To reduce the risk of fire or electrical shock, do not touch the TV with wet hands. If the power cord prongs are wet or covered with dust, dry the power plug completely or wipe dust off.

• **Batteries**

- Store the accessories (battery, etc.) in a safe location out of the reach of children.
- Do not short circuit, disassemble, or allow the batteries to overheat. Do not dispose of batteries in a fire. Batteries should not be exposed to excessive heat.

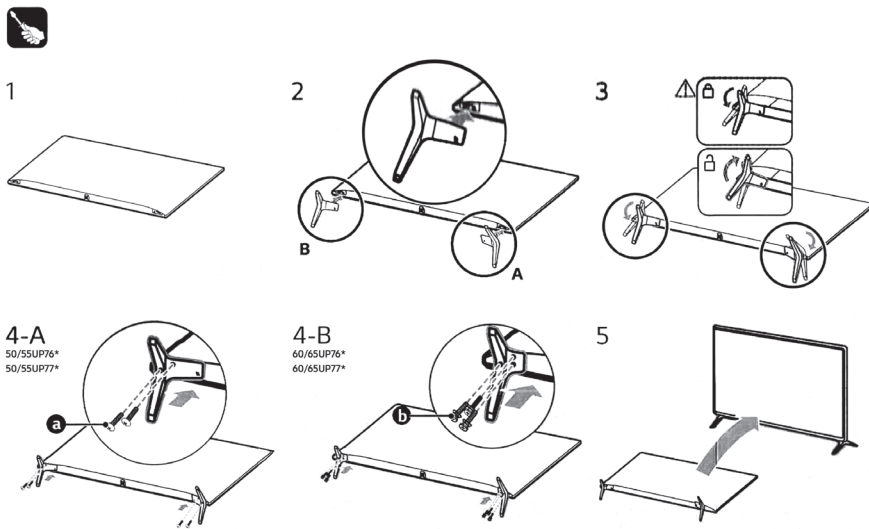
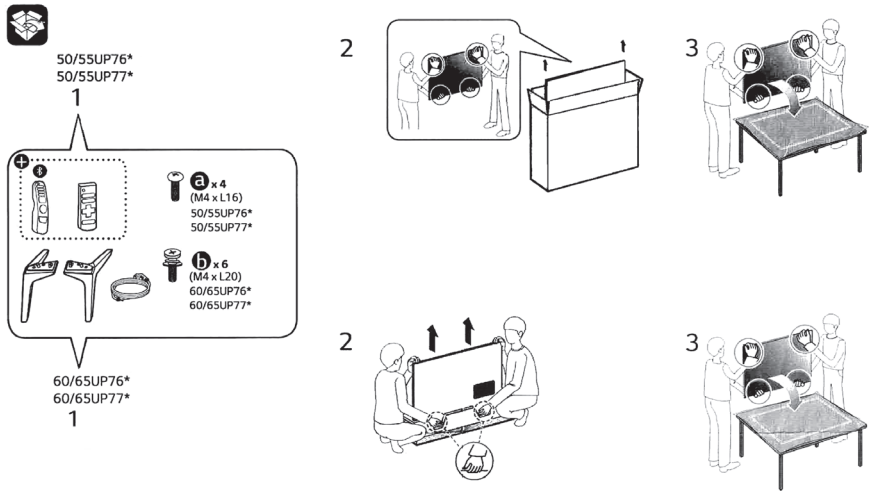




804006647

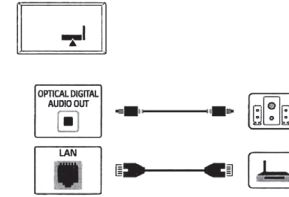
50UP7670PUC 55UP7700PUB 65UP7670PUC  
 50UP7700PUB 60UP7670PUB 65UP7700PUA  
 55UP7670PUC 60UP7700PUB 65UP7700PUB

Please read this manual carefully before operating your unit and retain for future reference.

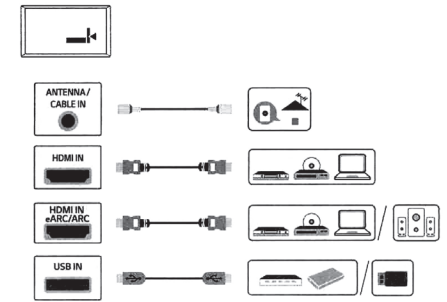


Note: The image shown here is for illustrative purposes only and may be subject to change. The actual number of ports and their locations may vary depending on the model.

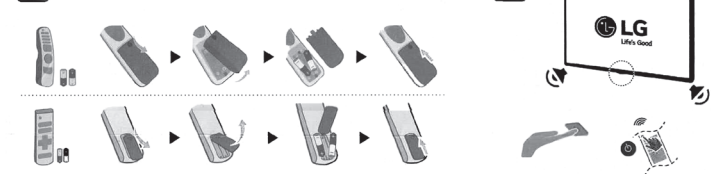
Easy TV Connect Guide (Animation)



The cables mentioned in this guide is not supplied with your unit.



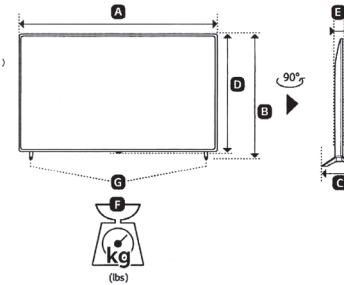
(Batteries not supplied)



The remote control vary depend of model: The buttons on the remote control may have a different name or location than the remote control shows in this manual.



A B C D E : mm (Inches)  
 F G : kg (lbs)



Read Safety and Reference. Easy Setup Guide. Please read this manual carefully before operating your set and retain it for future reference.

+ : Depending upon model

| MODELS             | A            | B            | C          | D          | E          | F          | F+G        | Power consumption |
|--------------------|--------------|--------------|------------|------------|------------|------------|------------|-------------------|
| 50UP7670PUC        | 1,121 (44.1) | 1,121 (44.1) | 708 (27.8) | 708 (27.8) | 235 (9.2)  | 235 (9.2)  | 651 (25.6) | 57.1 (2.2)        |
| 50UP7700PUB        | 1,121 (44.1) | 1,121 (44.1) | 713 (28.0) | 713 (28.0) | 231 (9.0)  | 231 (9.0)  | 651 (25.6) | 57.1 (2.2)        |
| 55UP7670PUC        | 1,235 (48.6) | 1,235 (48.6) | 772 (30.3) | 772 (30.3) | 235 (9.2)  | 235 (9.2)  | 715 (28.1) | 57.5 (2.2)        |
| 55UP7700PUB        | 1,235 (48.6) | 1,235 (48.6) | 776 (30.5) | 776 (30.5) | 231 (9.0)  | 231 (9.0)  | 715 (28.1) | 57.5 (2.2)        |
| 60UP7670PUB        | 1,356 (53.3) | 1,356 (53.3) | 852 (33.5) | 852 (33.5) | 269 (10.5) | 269 (10.5) | 783 (30.8) | 57.5 (2.2)        |
| 60UP7700PUB        | 1,356 (53.3) | 1,356 (53.3) | 852 (33.5) | 852 (33.5) | 255 (9.7)  | 255 (9.7)  | 838 (32.9) | 57.7 (2.2)        |
| 65UP7670PUC        | 1,454 (57.2) | 1,454 (57.2) | 906 (35.6) | 906 (35.6) | 255 (9.7)  | 255 (9.7)  | 838 (32.9) | 57.7 (2.2)        |
| 65UP7700PUA        | 1,454 (57.2) | 1,454 (57.2) | 906 (35.6) | 906 (35.6) | 269 (10.5) | 269 (10.5) | 838 (32.9) | 57.7 (2.2)        |
| 65UP7700PUB        | 1,454 (57.2) | 1,454 (57.2) | 906 (35.6) | 906 (35.6) | 255 (9.7)  | 255 (9.7)  | 838 (32.9) | 57.7 (2.2)        |
| Power requirement: |              |              |            |            |            |            |            | AC 120V-50 / 60Hz |

804006647



PRINTED IN MEXICO / SC:08-11-2021 / 1P / Elbrd:J.E.  
 OBPn: \*MFL717564782106 REV01\* / SHNMDL: 50UP7670PUC