

## IMPORTANT SAFETY INSTRUCTIONS FOR HOUSEHOLD USE ONLY

### ⚠ WARNING

To reduce the risk of fire, electric shock, injury, or property damage, when using an electrical appliance, basic precautions should always be followed, including the following:

#### READ ALL INSTRUCTIONS BEFORE USING THIS VACUUM

- Inspect power cord and plug for any damage before use. **DO NOT** use vacuum cleaner with a damaged cord or plug. Turn off all controls before plugging in or unplugging the vacuum cleaner. Store your vacuum cleaner with the power cord secured around the two cord hooks. To minimize the risk of power cord damage, do not allow the motorized brush roll to ingest the cord. If this occurs, immediately shut off power to the vacuum and remove the cord.
- This appliance has a polarized plug, if the plug does not fit fully into the outlet, reverse the plug (one blade is wider than the other). If it still does not fit, contact a qualified electrician. **DO NOT** force into outlet or try to modify to fit.
- Your vacuum cleaner may consist of a motorized nozzle, wand, hose, and/or vacuum pod. This device contains electrical connections, electrical wiring, and moving parts that potentially present risk to the user.
- Use only identical replacement parts.
- Carefully observe and follow the instructions provided below to avoid improper use of the appliance. **DO NOT** use the vacuum for any purpose other than those described in this manual.
- Before use, carefully inspect all parts for any damage. **DO NOT** use if any parts are damaged.
- The use of an extension cord is **NOT** recommended.
- This vacuum cleaner contains no serviceable parts.
- This appliance can be used by persons with reduced physical, sensory or mental capabilities or lack of experience and knowledge if they have been given supervision or instruction concerning use of the appliance in a safe way and understand the hazards involved. Cleaning and user maintenance shall not be made by children. Keep the appliance and its cord out of reach of children. **DO NOT** allow the appliance to be used by children. **DO NOT** allow to be used as a toy. Close supervision is necessary when used near children.
- Always turn off the vacuum cleaner before connecting or disconnecting any motorized nozzles or other accessories.
- DO NOT** handle plug or vacuum cleaner with wet hands.
- DO NOT** use without filters in place.
- Only use Shark® branded filters and accessories.
- DO NOT** damage the power cord:
  - DO NOT** pull or carry vacuum cleaner by the cord or use the cord as a handle.
  - DO NOT** unplug by pulling on cord. Grasp the plug, not the cord.
  - DO NOT** run the vacuum cleaner over the power cord, close a door on the cord, pull the cord around sharp corners, or leave the cord near heated surfaces.
- DO NOT** put any objects into nozzle or accessory openings. **DO NOT** use with any opening blocked; keep free of dust, lint, hair, and anything that may reduce airflow.
- DO NOT** use if nozzle or accessory airflow is restricted. If the air paths or the motorized floor nozzle become blocked, turn the vacuum cleaner off and unplug from electrical outlet. Remove all obstructions before you plug in and turn on the unit again.
- Keep nozzle and all vacuum openings away from hair, face, fingers, uncovered feet, or loose clothing.
- DO NOT** use if vacuum cleaner is not working as it should, or has been dropped, damaged, left outdoors, or dropped into water.
- Use extra care when cleaning on stairs.
- DO NOT** leave the vacuum cleaner unattended while plugged in.
- When powered on, keep the vacuum cleaner moving over the carpet surface at all times to avoid damaging the carpet fibers.
- DO NOT** place vacuum cleaner on unstable surfaces such as chairs or tables.
- Your Shark® vacuum may not be designed to stand up on its own. When taking a break from cleaning, you may need to lean it against furniture or a wall, or lay it flat on the floor. Using the vacuum for an application where the unit lacks stability may result in personal injury.
- DO NOT** use to pick up:
  - Liquids
  - Large objects
  - Hard or sharp objects (glass, nails, screws, or coins)
  - Large quantities of dust (drywall dust, fireplace ash, or embers). **DO NOT** use as an attachment to power tools for dust collection.
  - Smoking or burning objects (hot coals, cigarette butts, or matches)
  - Flammable or combustible materials (lighter fluid, gasoline, or kerosene)
  - Toxic materials (chlorine bleach, ammonia, or drain cleaner)
- DO NOT** use in the following areas:
  - Poorly lit areas
  - Wet or damp surfaces
  - Outdoor areas
  - Spaces that are enclosed and may contain explosive or toxic fumes or vapors (lighter fluid, gasoline, kerosene, paint, paint thinners, mothproofing substances, or flammable dust)
- Turn off all controls before plugging in or unplugging the vacuum.
- Unplug from electrical outlet when not in use and before any maintenance or cleaning.
- Hand wash with water only. Washing with cleaning chemicals could damage the unit.
- During cleaning or routine maintenance, **DO NOT** cut anything other than hair, fibers, or string wrapped around the brushroll.
- Allow all filters to air-dry completely before replacing in the vacuum to prevent liquid from being drawn into electric parts.
- Make sure the dust cup and all filters are in place after routine maintenance.
- If provided, secure the power cord around the two cord hooks during storage.

# Shark®

## Performance Corded UltraLight with DuoClean® and Self-Cleaning Brushroll

804106626

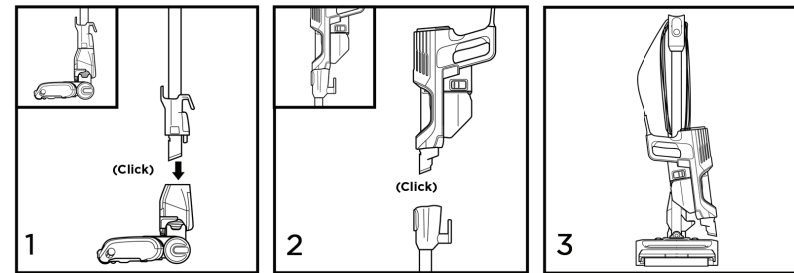
### OWNER'S GUIDE



It's important to read this manual prior to using your product for the first time.

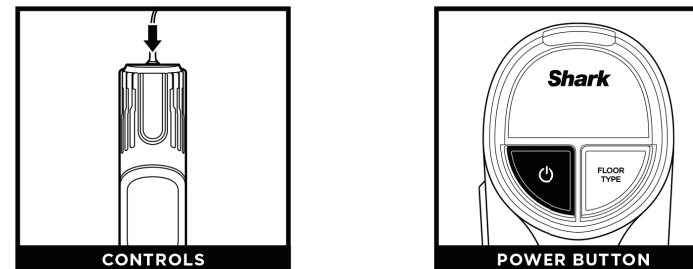
**NOTE:** Accessories may vary depending on the model. Refer to quick guide, if available.

#### ASSEMBLY



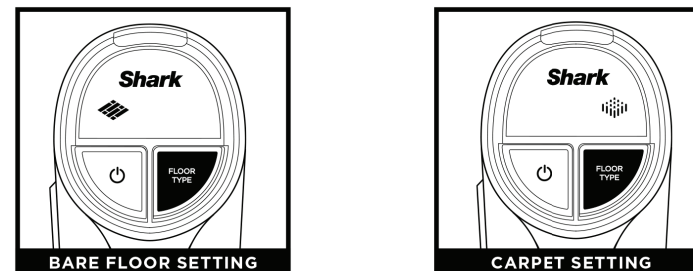
- Insert **Wand** into **Floor Nozzle**.
- Insert **Handheld Vacuum** into wand.
- For compact storage, hang the handheld vacuum from the **Storage Hook** on the wand.

#### SETTINGS



The control panel is located on top of the handheld vacuum.

**Power Button**  
Press the Power button to begin vacuuming. Press again to turn off power. Press the FLOOR TYPE button to toggle between Bare Floor and Carpet settings.



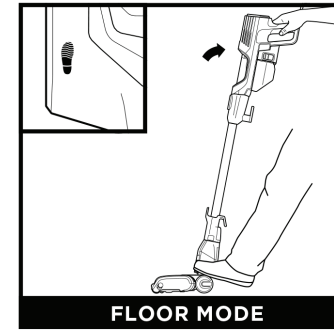
**Bare Floor/Small Area Rugs**  
When powered on, the vacuum will be in Bare Floor setting. In this setting, the brushrolls spin slowly to clean bare floors and small area rugs.

**Carpet**  
Press the FLOOR TYPE button to switch to Carpet setting. The brushrolls spin faster to pick up debris below the surface of your carpets.

**NOTE:** Press the FLOOR TYPE button to toggle between Bare Floor and Carpet settings.  
**NOTE:** For deep cleaning per ASTM F 608 (embedded dirt in carpets) please use the Carpet setting.  
**NOTE:** Select Carpet for stuck-on dust and debris.

**NOTE:** The images shown here are for illustrative purposes only and may be subject to change.

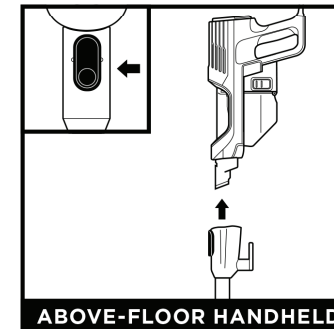
#### CLEANING MODES



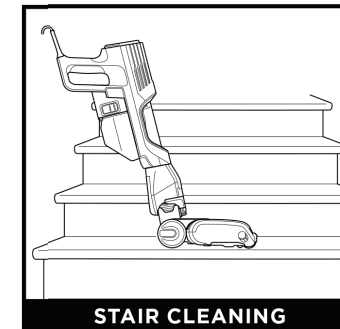
To clean floors, step on floor nozzle and tilt handheld vacuum back.



For more reach, detach the wand. Stand the vacuum upright, step on the **Foot Pedal** on the side of the nozzle, and pull up the wand to detach.



To detach the handheld vacuum, press the **Wand Release** button and lift the handheld vacuum off the wand. Great for cleaning stairs, furniture, and countertops.

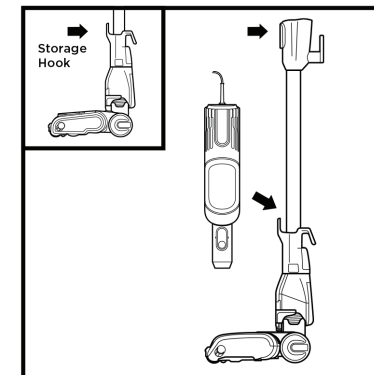


To clean stairs or other narrow spaces, attach the handheld vacuum to the floor nozzle.

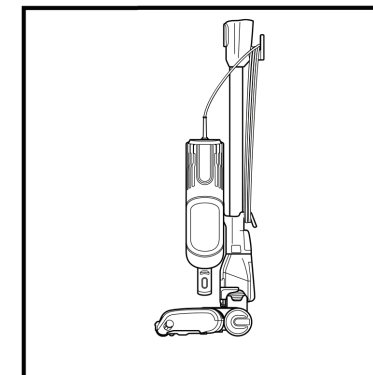
**NOTE:** All accessories are compatible with both the wand and the handheld vacuum.

#### STORAGE MODE

##### HANDHELD STORAGE HOOK



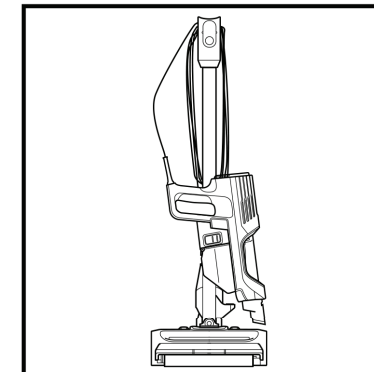
Press the **Wand Release** button near the top of the wand to detach the handheld vacuum. Align the **Catch** on the side of the handheld vacuum with the **Storage Hook** on the wand, then hang the handheld vacuum from the hook.



Wrap the cord around the two cord hooks. Start with the top hook, and leave a little slack in the cord.

**NOTE:** The images shown here are for illustrative purposes. Accessory type and quantity may vary depending on the model.

**NOTE:** The Quick Guide shows the select accessories that are included with your model.

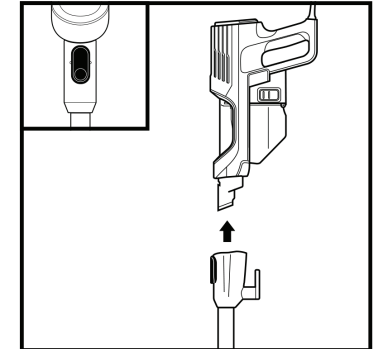


#### MAINTENANCE

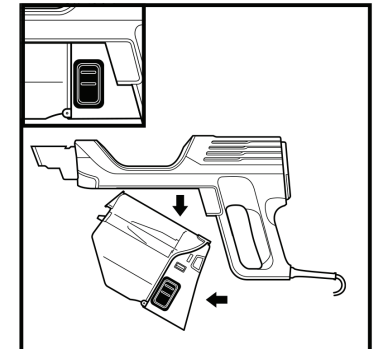
**IMPORTANT:** Unplug the vacuum before performing any maintenance.

##### EMPTYING THE DUST CUP

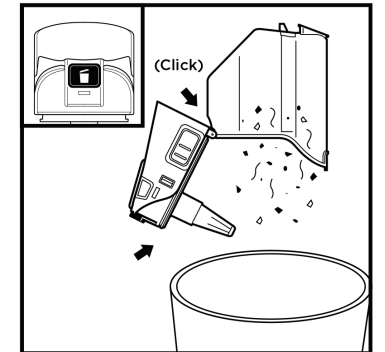
Empty the dust cup each time you vacuum and periodically during cleaning, when debris in the dust cup reaches the MAX fill line.



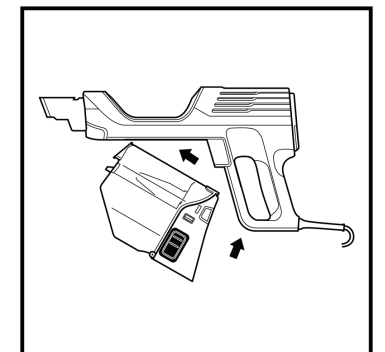
Press the **Wand Release** button and lift off the handheld vacuum.



To remove the dust cup from the handheld vacuum, press the two **Dust Cup Release** buttons at the same time and slide out the dust cup.



Hold the dust cup over the trash. Press the **Empty** button and pull open the dust cup lid until it clicks and locks in the open position. Gently tap the cone-shaped screen inside the dust cup to knock dust and debris into the trash.



To reinstall, push the lid closed, then insert the front end of the dust cup into the handheld vacuum first, then the back end, until it clicks into place.

## SAVE THESE INSTRUCTIONS

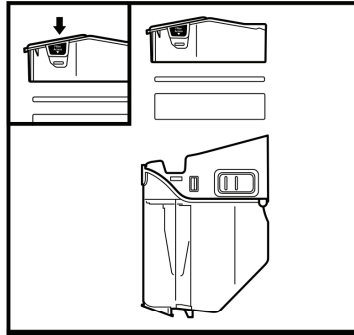
## MAINTENANCE

**IMPORTANT:** Unplug the vacuum before performing any maintenance.

### CLEANING FILTERS

Regularly rinse and replace the filters to maintain your vacuum's suction power.

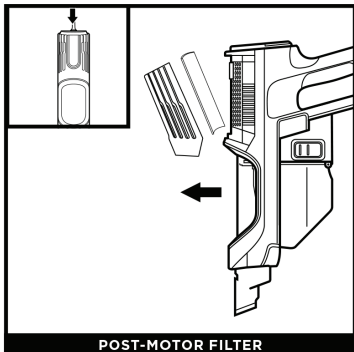
To prevent damage from cleaning chemicals, rinse filters with cold water only. Do not use soap. Allow all filters to air-dry for at least 24 hours before reinstalling them to prevent liquid from being drawn into electronic parts.



PRE-MOTOR FILTERS

With the dust cup detached, press the Filter Access buttons on both sides of the back of the dust cup, then pull out the filter housing. Pull the foam filter out of the housing, then lift out the felt filter by the pull tab.

The **Pre-Motor Filters** should be washed once a month.



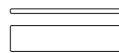
POST-MOTOR FILTER

To access the post-motor filter, press the release latch on the filter cover on the handheld vacuum. Remove the cover and lift out the filter.

The **Post-Motor Filter** should be washed once every 9 months.

### REPLACEMENT FILTERS

**Replacement Pre-Motor Filter Kit**  
XFFKHZ2000

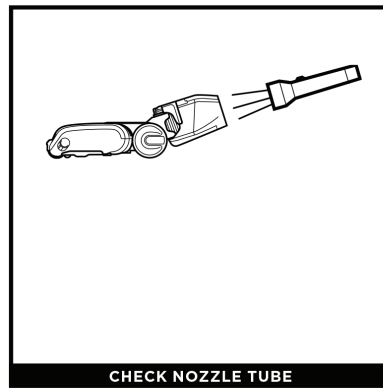


**Replacement Post-Motor Filter**  
XPMFHZ2000



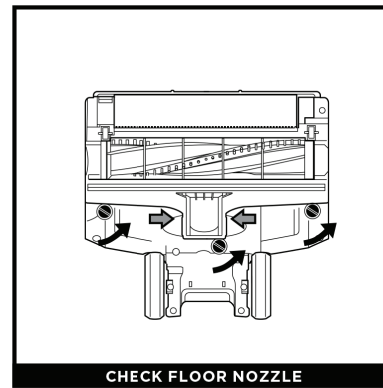
**NOTE:** The pre-motor filters should be replaced every 2.5 years. The post-motor filter should be replaced every 3 years.

## CHECKING FOR BLOCKAGES



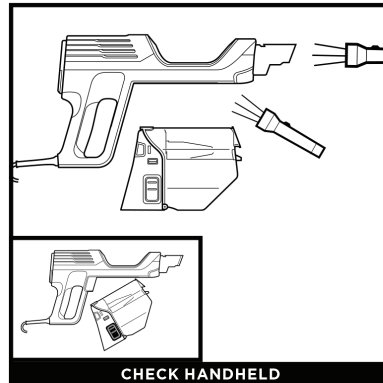
CHECK NOZZLE TUBE

Detach the wand, then check the floor nozzle tube for blockages.



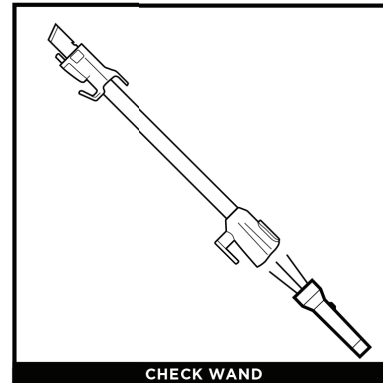
CHECK FLOOR NOZZLE

With the wand detached, turn the nozzle over to access the bottom cover. With a coin, turn the three locks counterclockwise and open the cover. Remove any blockages from the brushrolls and **Debris Intake**.



CHECK HANDHELD

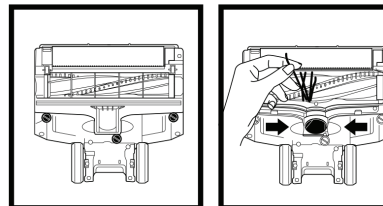
Remove the handheld vacuum from the wand and check all dust cup intake openings for debris or blockages.



CHECK WAND

Detach the wand and check it for blockages.

## FLOOR NOZZLE MAINTENANCE

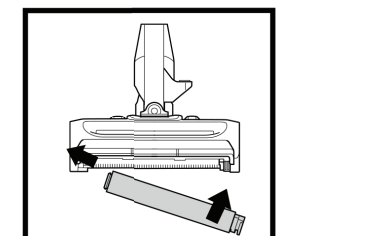
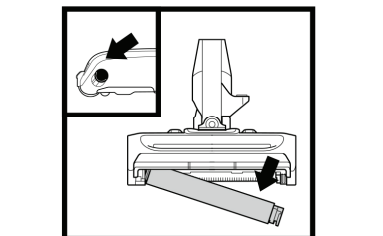


If any hair is wrapped around the brushroll, continue vacuuming, using Carpet mode on a bare floor surface, low-pile carpet, or a small area rug. This will allow the self-cleaning brushroll to remove the hair wrap and send it to the dust cup.

To access the brushroll, open the locks on the bottom of the nozzle. With a coin, turn the locks counterclockwise to open, then lift off the cover.

Clean off any debris on the bristles and in the **Debris Intake**.

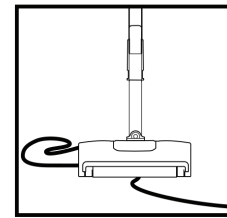
## CLEANING THE SOFT ROLLER



- 1 To remove the Soft Roller, slide the **Eject Roller** button on the floor nozzle.
- 2 Tap loose debris off the Soft Roller. Use a dry towel to wipe it clean, and to remove any debris caught in the teeth behind the Soft Roller.
- 3 Hand-wash the Soft Roller as needed. Use only water, and let it air-dry completely for at least 24 hours.
- 4 Reinsert the Soft Roller and press it in until it clicks securely into place.

**NOTE:** The images shown here are for illustrative purposes only and may be subject to change.

## CORD MAINTENANCE



1. **DO NOT** pull or carry vacuum cleaner by the cord or use cord as a handle.
2. **DO NOT** unplug by pulling on the cord. Grasp the plug, not the cord.
3. **DO NOT** close the soleplate on the cord.
4. **DO NOT** pull the cord around sharp corners.
5. **DO NOT** leave the cord near heated surfaces.

To minimize the risk of power cord damage, **DO NOT** run the vacuum over the power cord. If this occurs, immediately shut off power to the vacuum and remove the cord from the brushroll or nozzle.

**NOTE:** For best performance, keep the Soft Roller clean with regular maintenance.

## TROUBLESHOOTING

### Power cord caught in brushroll or floor nozzle.

- To minimize the risk of power cord damage, **DO NOT** run the vacuum over the power cord. If this occurs, immediately shut off power to the vacuum and remove the cord from the brushroll or nozzle.
- Inspect power cord and check for any damage before use. **DO NOT** use vacuum cleaner with a damaged cord or plug. Turn off all controls before plugging in or unplugging the vacuum cleaner. Store your vacuum cleaner with the power cord secured around the two cord hooks.

### Vacuum is not picking up debris. No suction or light suction. See Maintenance section for more information.

- Empty the dust cup. Check filters to see if they need cleaning. Follow instructions for rinsing and completely air-drying the filters before reinstalling them.
- Clear any blockages in the nozzle, wand, handheld vacuum, or accessories. See Checking for Blockages section for more information.
- If any string, hair, or carpet fibers remain wrapped around the brushroll after continued use, carefully clear them away.
- Remove any blockages from the debris intake in the floor nozzle. Press the tabs on both sides of the debris intake tube, then pull up the tube until it extends out of the nozzle. Clear any dirt or blockages. To close, push the tube down until it clicks into place.

### Vacuum lifts area rugs.

- Suction is powerful. Take care when vacuuming area rugs or rugs with delicately sewn edges.
- Turn off the unit to disengage the brushrolls. To restart, press the power button on the handle.

**NOTE:** Clean area rugs in Bare Floor mode or with accessories. See Available Accessories section.

### Vacuum turns off on its own or the indicator light flashes red.

If your vacuum overheats, the thermostat will automatically turn off the motor. Perform the following steps to restart:

1. Turn off the vacuum and unplug it.
2. Empty the dust cup and clean the filters. See Emptying the Dust Cup and Cleaning Filters sections.
3. Check for blockages in the wand, floor nozzle, handheld vacuum, inlet openings, and accessories.
4. Reassemble the entire vacuum and ensure all parts click into place.
5. Allow unit to cool for a minimum of 60 minutes.
6. Plug in vacuum and turn it on.

### Handheld vacuum is warm.

Due to the strong suction power of the vacuum, it is normal for the area around the filter exhaust to become warm during and after use. Turn off the vacuum and wait 10 minutes for it to cool down. If it still feels warm, clean the pre-motor and post-motor filters. See Maintenance section for filter cleaning instructions.



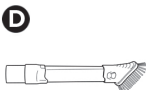
Please be sure to read the enclosed Shark® Owner's Guide prior to using your unit.

# Shark

## QUICK START GUIDE

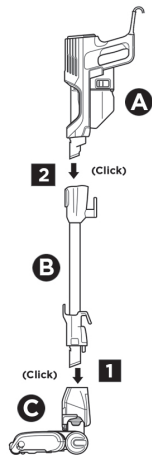
### WHAT'S INSIDE

- A** Hand Vac
- B** Wand
- C** Floor Nozzle
- D** Duster Crevice Tool
- E** Upholstery Tool



1. Insert **Wand** into **Floor Nozzle**.
2. Insert **Handheld Vacuum** into wand.

**NOTE:** The images shown here are for illustrative. Accessory type and quantity may vary depending on the model.



8 0 4 0 0 6 6 2 6

PRINTED IN MEXICO

Elbrd: M.C

OBPN: N/A

SC: 10-25-2021\_5P

MODEL: UV580\_B